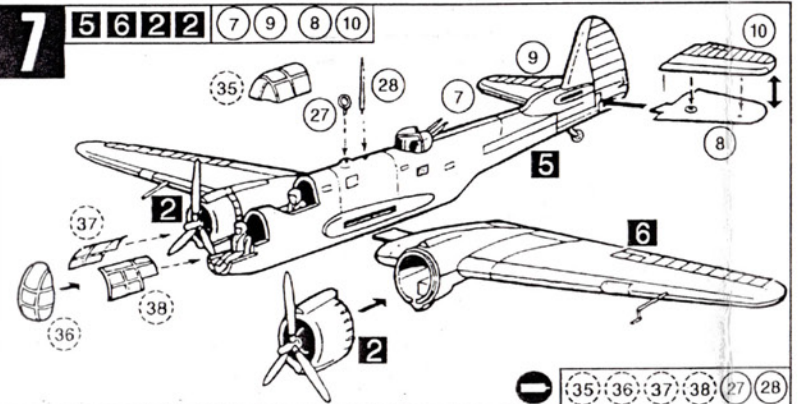
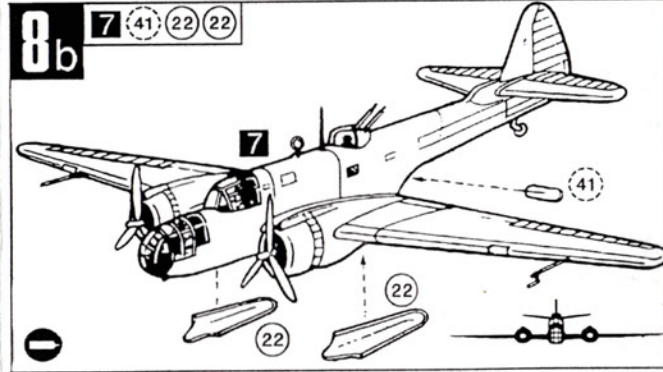
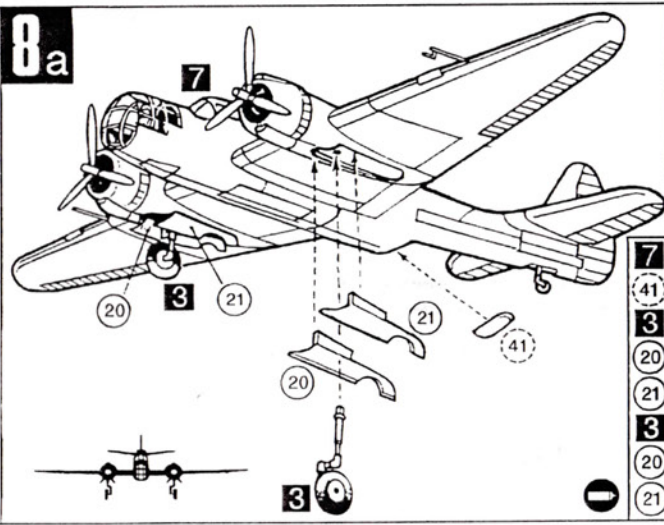
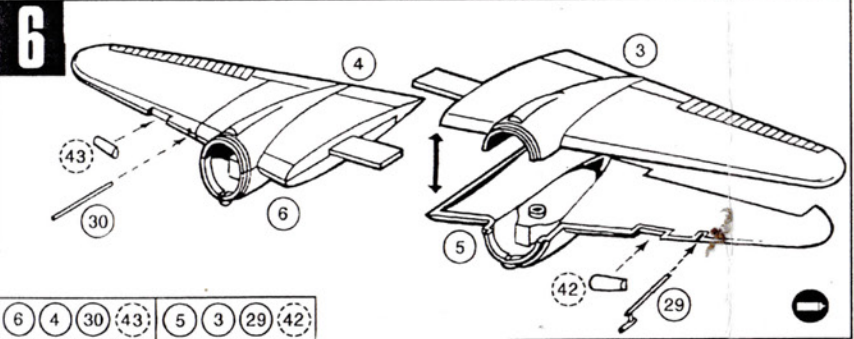
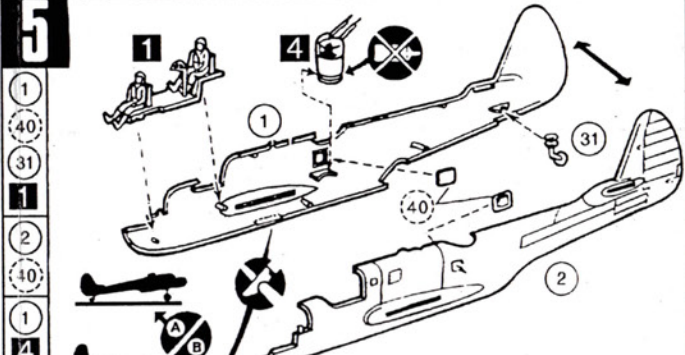
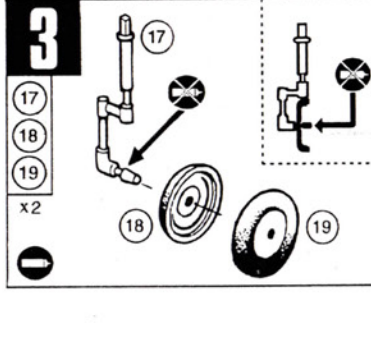
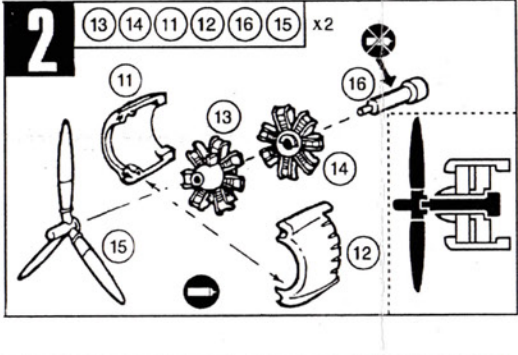


# Martin 167F Maryland Light bomber and Reconnaissance Aircraft

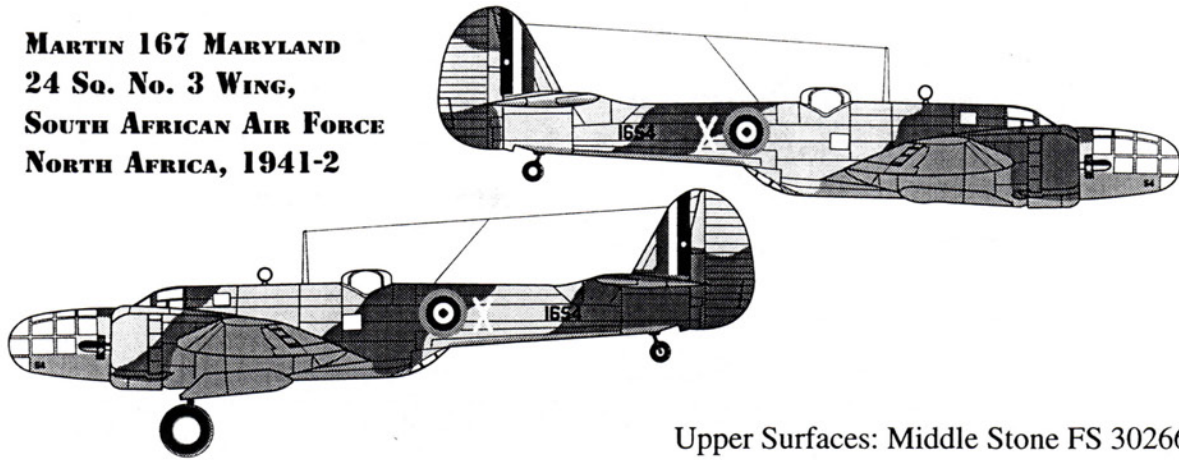
In 1939, France ordered 115 Martin 167F light bombers. Only 39 were delivered before France fell to the Germans during the Blitzkrieg of 1940. The remainder of the order was delivered to Britain and the aircraft were designated Maryland I. Britain ordered more aircraft, some with uprated engines, and a total of 290 Maryland I and 150 Maryland II were produced. Along with one prototype aircraft built for the USAAF (XA-22), the total production was 441.

The Marylands saw service with France (French Air Force, French Naval Air Force, Free French Air Force and French Vichy Air Force), Britain (Royal Air Force and Fleet Air Arm) and South Africa (72 Maryland II). These mainly saw service in the Middle East, Mediterranean and North Africa. Subsequent development of the type became the Baltimore light bomber.

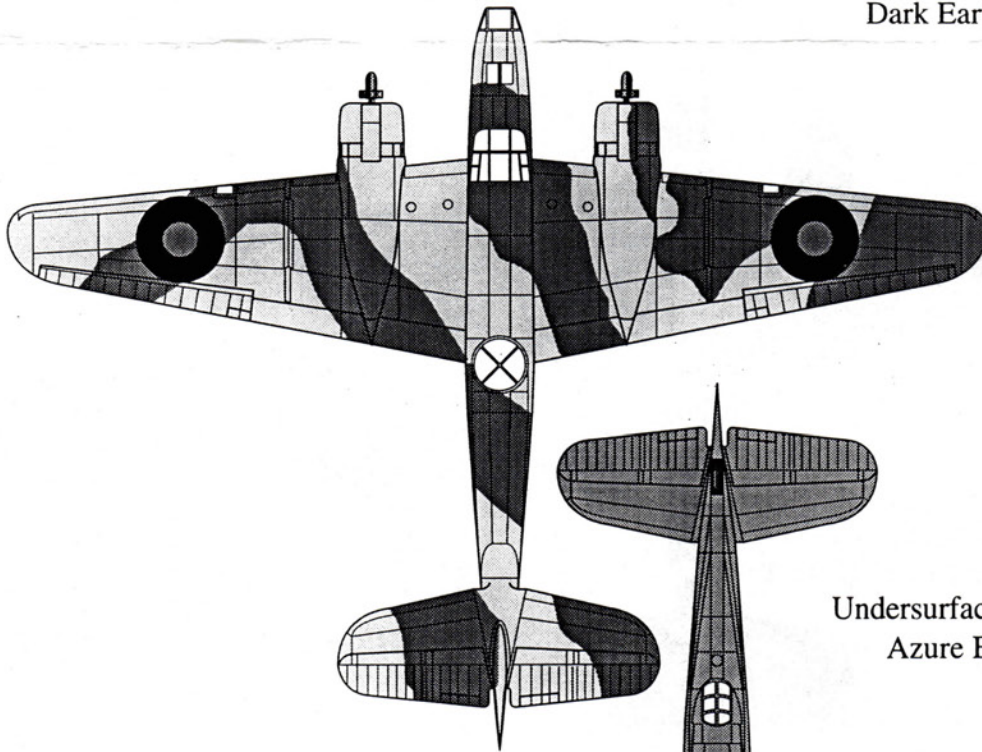
Engines:	Mk I:	2 - Wright R-1820 rated at 950 or 1100 hp or 2 - Twin Wasp SC3-G
	Mk II:	2 - Pratt & Whitney R-1830-S3C4-G rated at 1200 hp
Performance:		278 mph (447 km/hr) at 11,800 feet (3,597 m)
Normal Range:		1210 miles (1947 km)      Service Ceiling: 26,000 feet (7925 m)
Dimensions:		Wingspan: 61 feet 4 inches (18.69 m)
		Length: 46 feet 8 inches (14.22 m)
		Height: 14 feet 11 3/4 inches (4.55 m)
Crew:		3
Bomb Load:		2000 lb (907 kg)
Armament:		4 .3 inch Browning machine guns in the wings plus one Vickers K gun in the dorsal position (some had a second Vickers K gun in the ventral position)



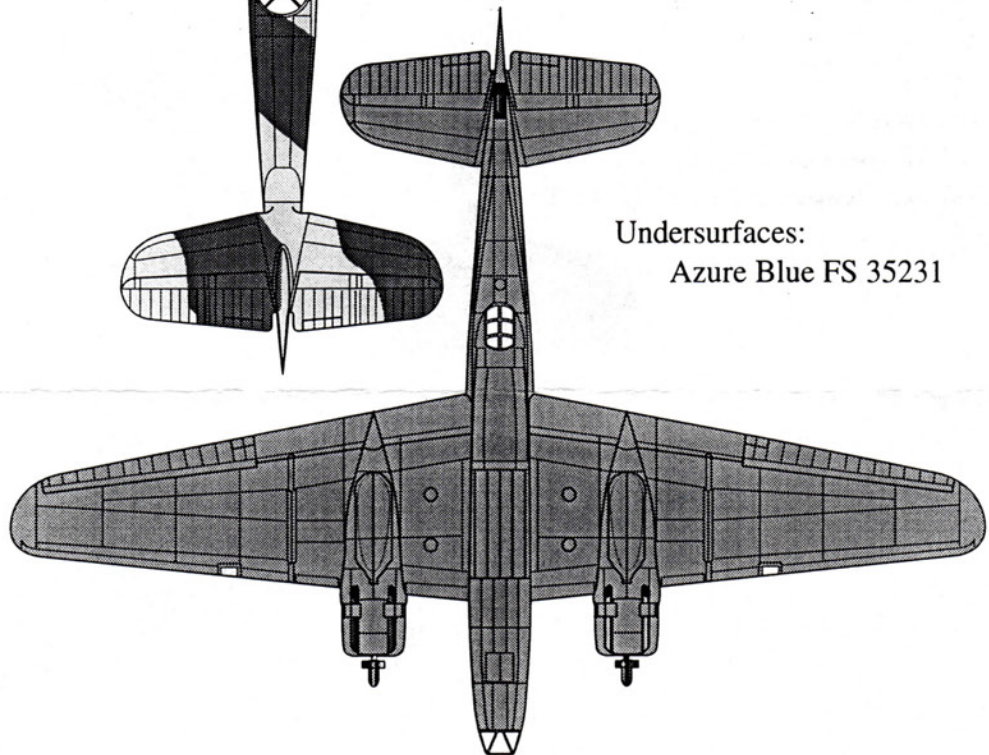
**MARTIN 167 MARYLAND**  
**24 Sq. No. 3 WING,**  
**SOUTH AFRICAN AIR FORCE**  
**NORTH AFRICA, 1941-2**



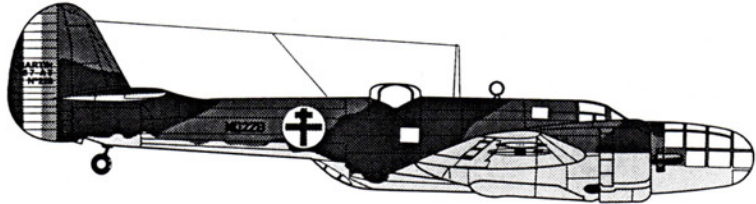
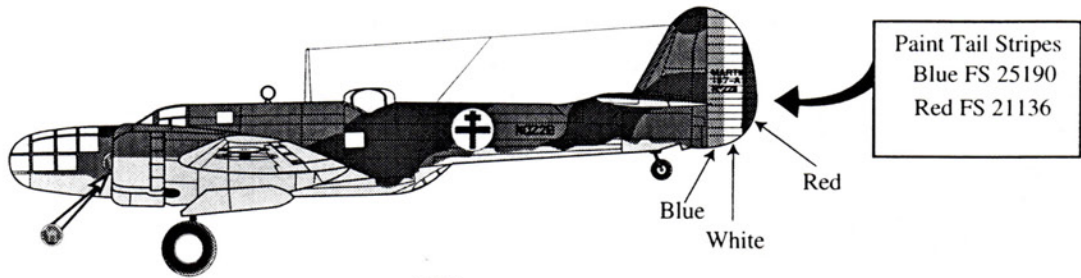
Upper Surfaces: Middle Stone FS 30266  
Dark Earth FS 30118



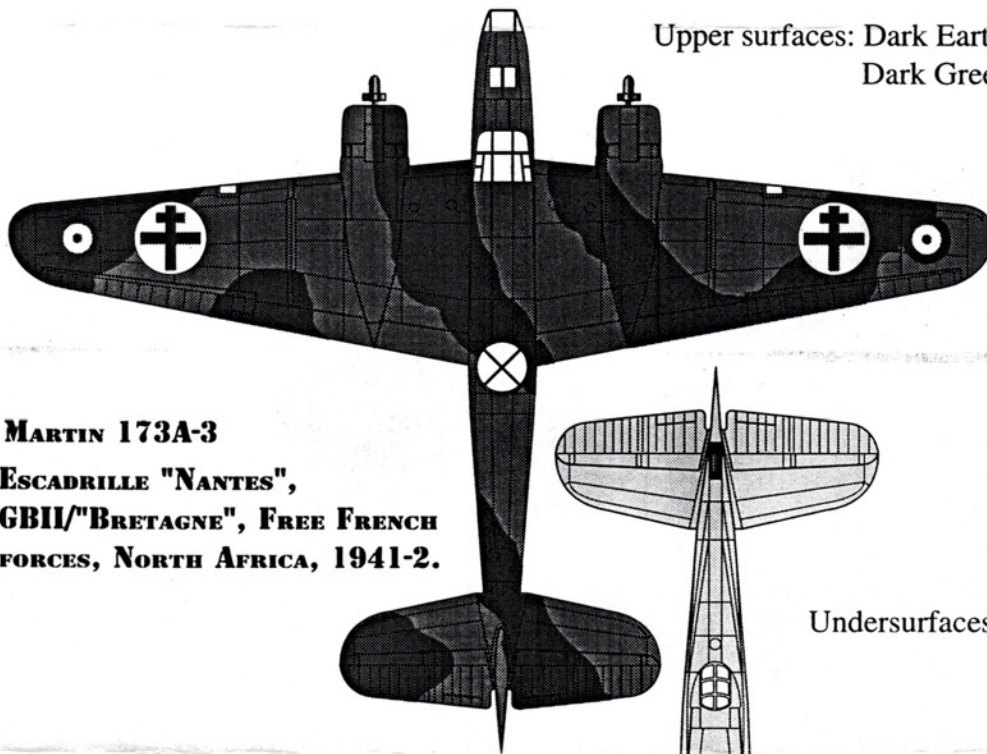
Undersurfaces:  
Azure Blue FS 35231



**modelcraft**

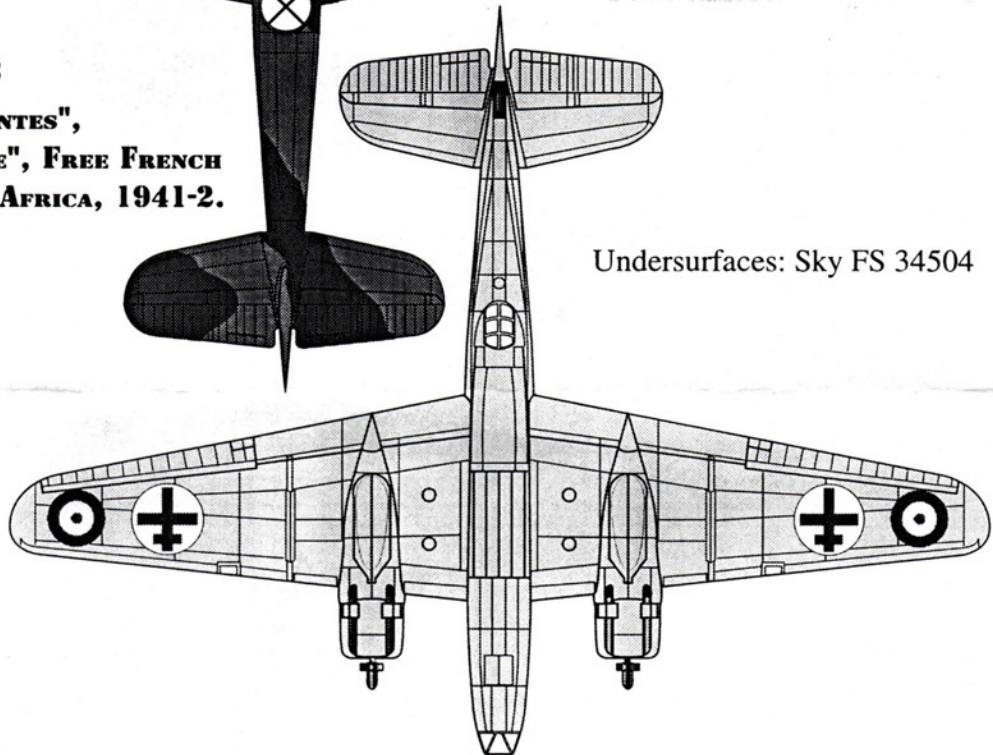


Upper surfaces: Dark Earth FS 30118  
 Dark Green FS 34096



**MARTIN 173A-3**  
**ESCADRILLE "NANTES",**  
**GBII/"BRETAGNE", FREE FRENCH**  
**FORCES, NORTH AFRICA, 1941-2.**

Undersurfaces: Sky FS 34504



**modelcraft**