

# TBD-1 Devastator

TBD-1 デバステーター 美国TBD-1“蹂躪者”鱼雷攻击机

## PLEASE READ BEFORE OPERATION!

\* Tools recommended as below: (Not included)

Adhesives; Paints; Side Cutters; Sharp Edged Pliers; Modeling Knife; Modeling File; Nippers; Drill; Scissors; Sand Paper; Soft Cloth; Cyanoacrylate Glue.

- \* Make sure to read this instruction listed below before assembling.
- \* The kit contains the small parts, they can be dangerous if swallowed by mistake, so keep them away from reach of children.
- \* Cut the all parts off carefully and remove the waste parts into the garbage can.
- \* More caution and care should be needed for cutting and handling the photo etched parts.
- \* Make attention that some parts should be attached the decal when assembled.
- \* During assembling, please tear up and throw away the plastic bags, or may cause the dangerous if wearing over head by children's mistake.
- \* When using the adhesives and paints, please do not use them in the closed room or near the fire, also must be very careful to protect your eyes, face and clothes.
- \* Adult supervised when assembled by children under 14 years old.

\* 说明书中含有重要信息，应保留。 Please Keep instruction since it contains important information.

## 装配前请仔细阅读：

- \* 推荐使用的模型工具(请自备)：  
专用模型胶水，专用模型油漆，水口剪刀，长咀钳，刀片，锉刀，镊子钳，钻，剪刀，软布，砂纸，瞬间快干胶等。
- \* 用水口剪刀或刀片小心切下所有塑胶零件和蚀刻片零件，不要遗失小零件。
- \* 切取蚀刻片时应特别注意防止利边划伤手指。
- \* 用模型锉刀小心锉平所有零件表面的注射浇口。
- \* 用适量的强力快干胶水粘合蚀刻片零件和金属轴，切忌过量，否则可能导致可动零件被粘住。
- \* 注意某些零件表面需在装配时同步贴上水贴纸。
- \* 制作时应远离幼儿并将包装袋及时收妥，谨防小孩玩耍而引起意外。

## The method to apply the decals

1. Cut off the decal from the decal paper and put it into the warm water 40℃ for 10 seconds.
2. Take the decal from the water and put it on a piece of clean cloth.
3. Remove the decal slowly from the paper to the targeted location by a wet finger.
4. Use a piece of dry and soft cloth to press it gently on the decal until it getting dry and no bubble existing.

## 水贴纸的使用方法：

- 一. 把相关的印花从水贴纸上剪下，放入40℃左右的温水中浸10秒。
- 二. 然后将印花放在干净的布上。
- 三. 拿上印花纸板，手指蘸水将印花移到适当的位置。
- 四. 用软干布轻压印花直至水干，气泡消失。



强力胶

Cyanoacrylate glue



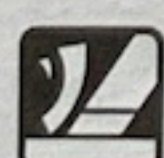
配重

Weight



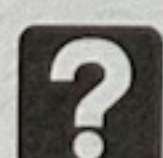
钻孔

Make hole



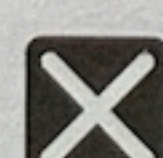
切除

Cut / Remove



选择

Option



不涂胶水

No cement



贴纸

Decal



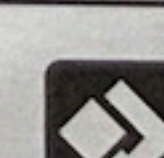
弯曲

Bend



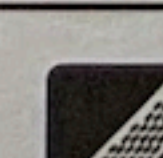
填补

Repair



先装

Install it first

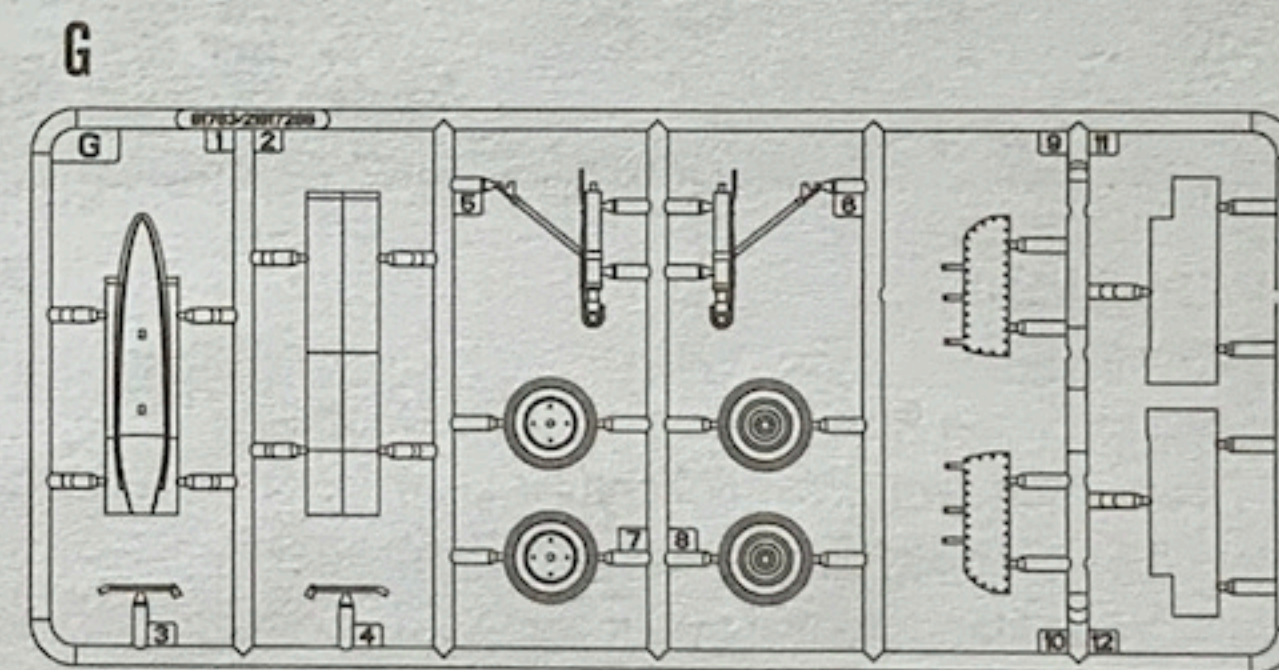
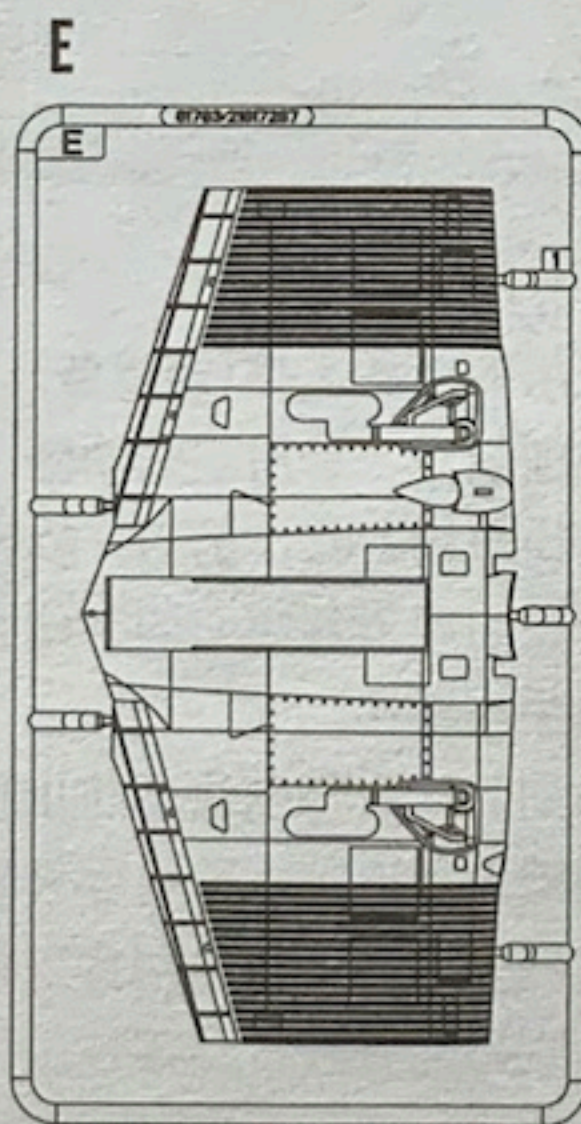
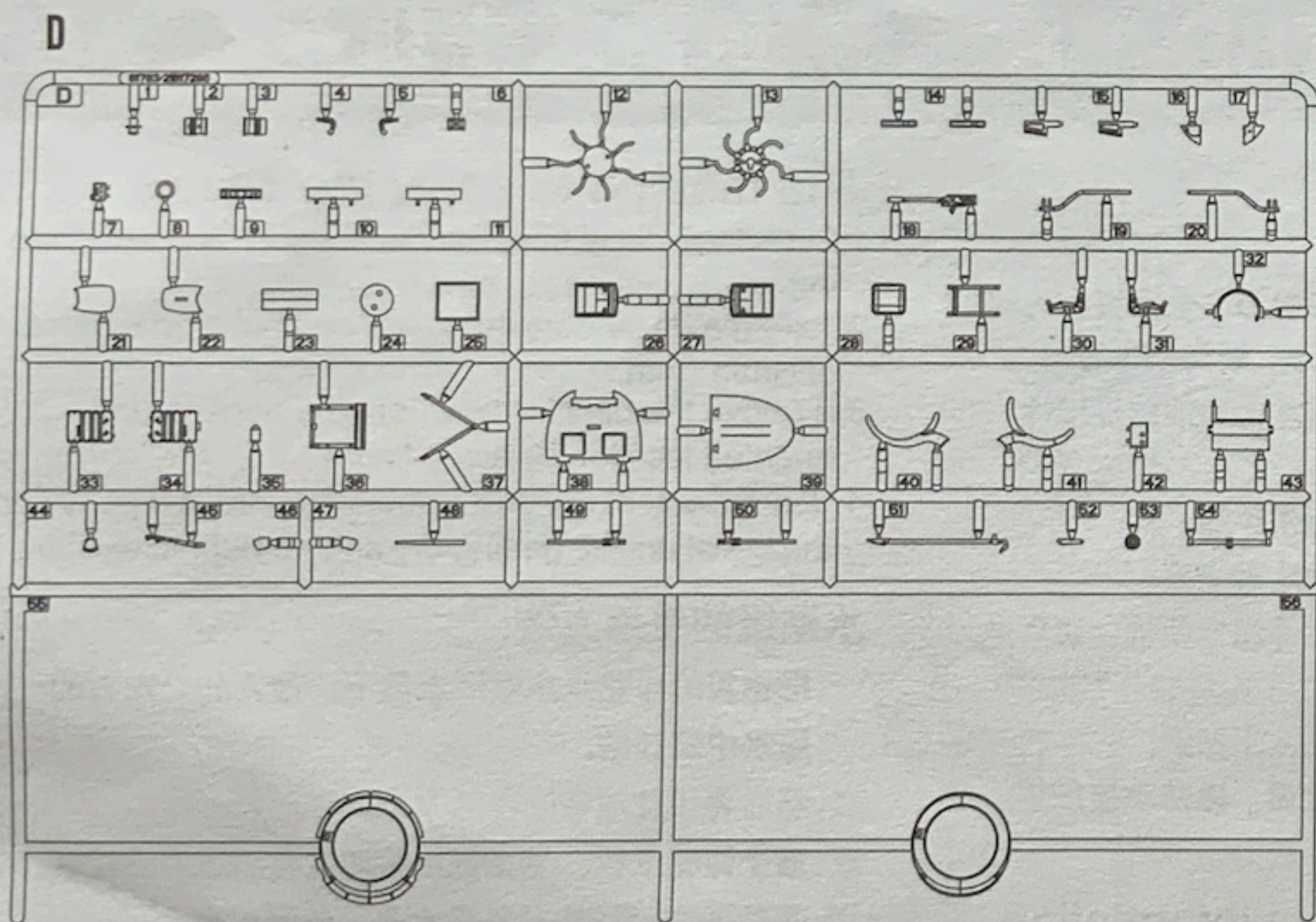
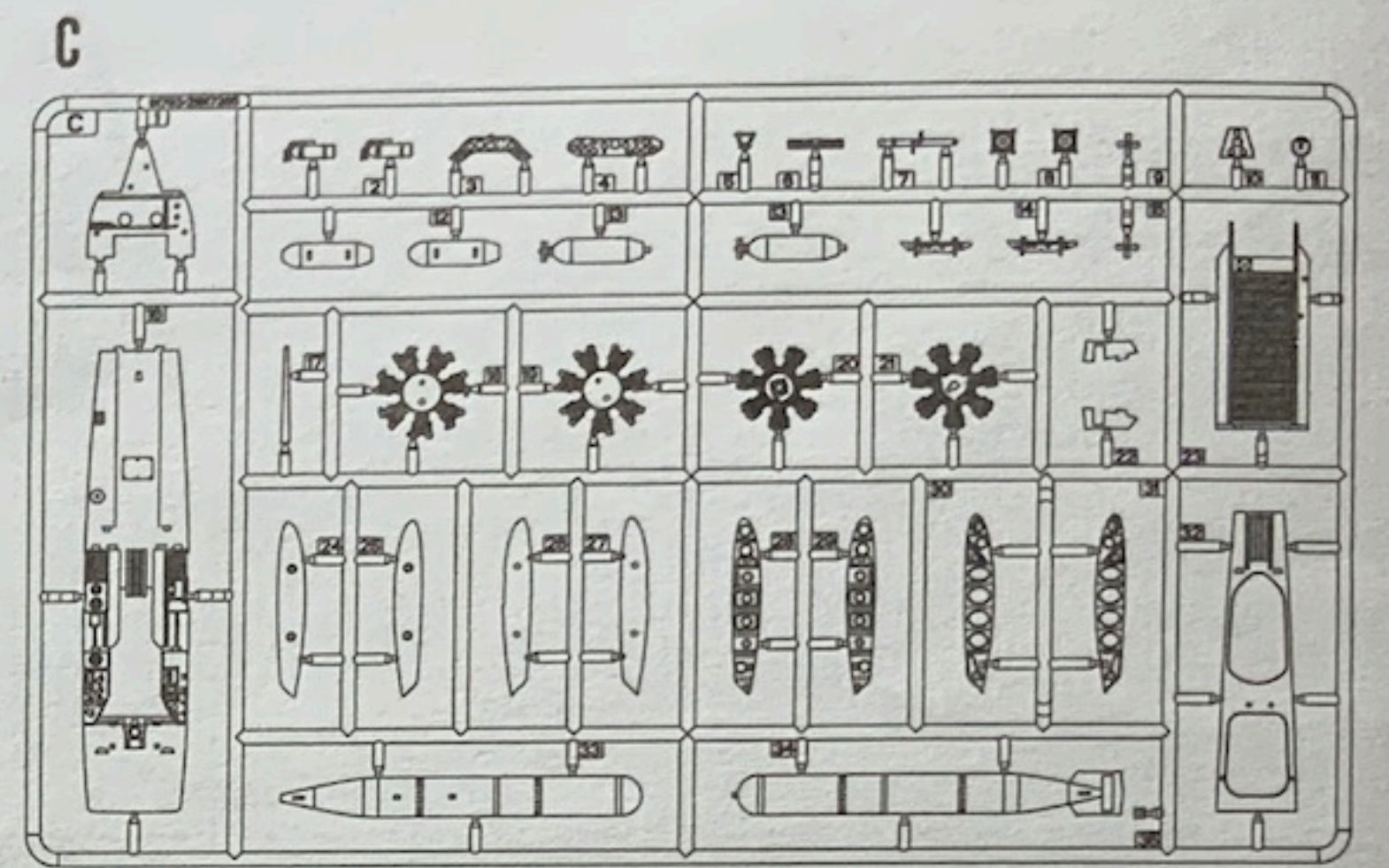
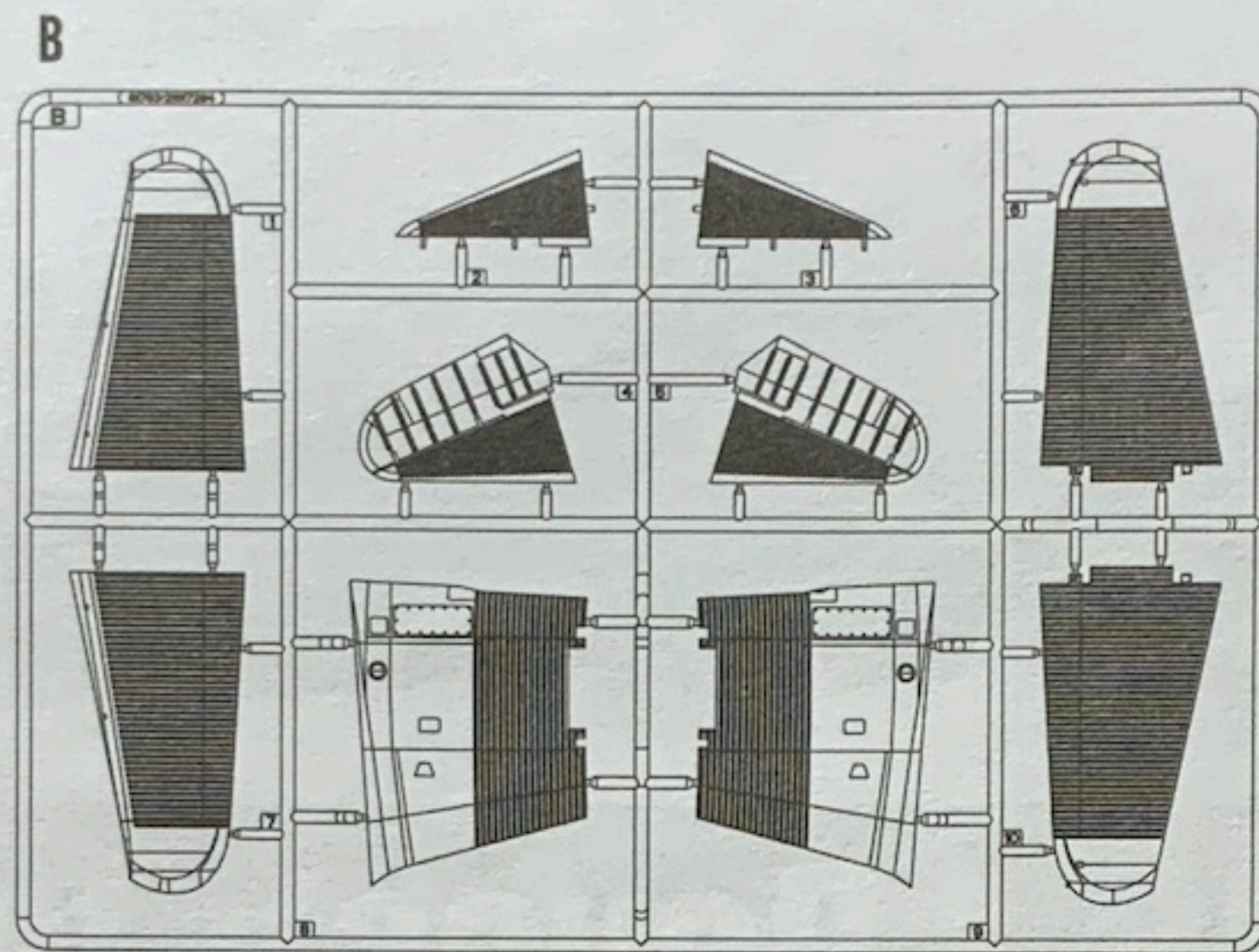
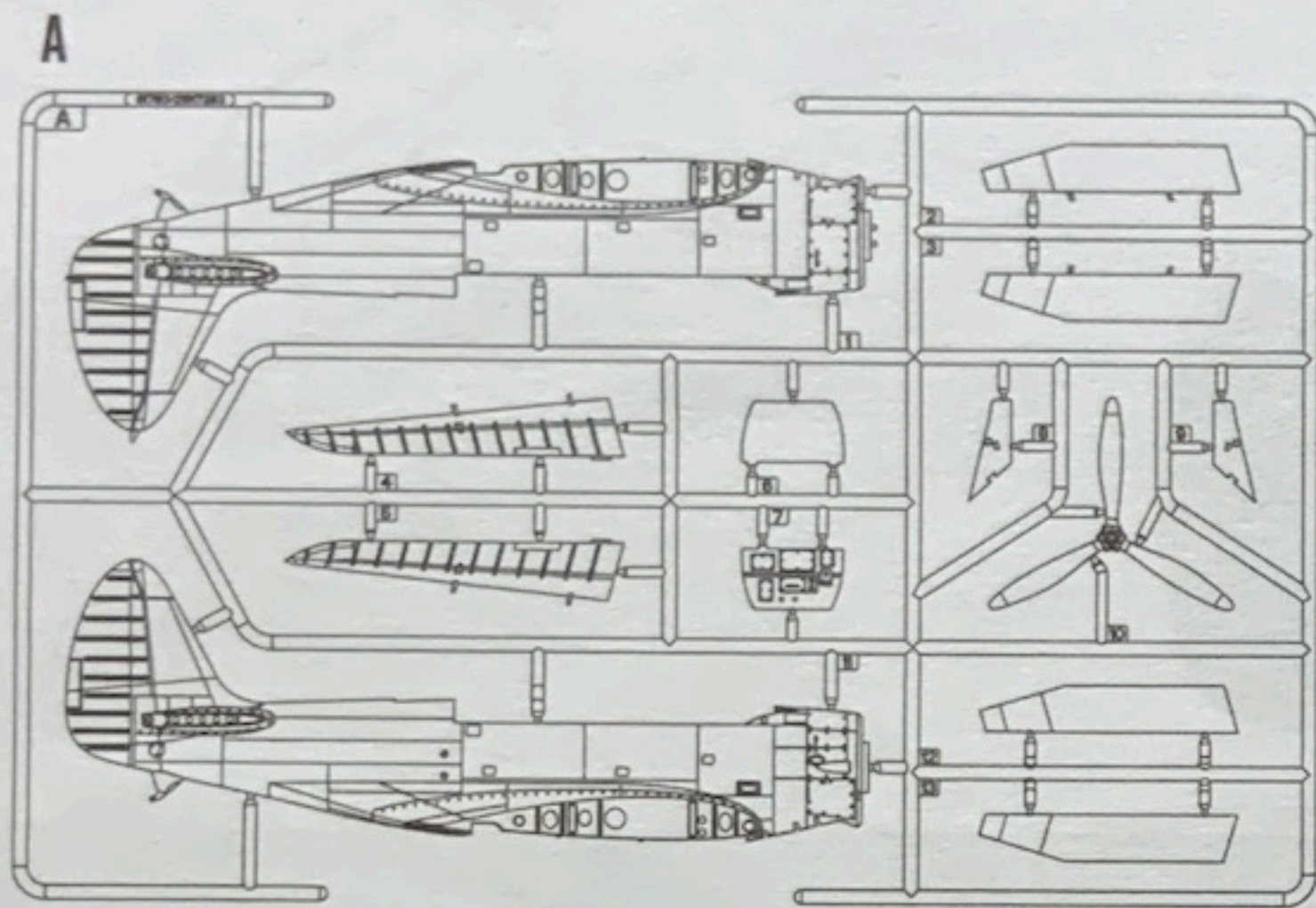


锉平

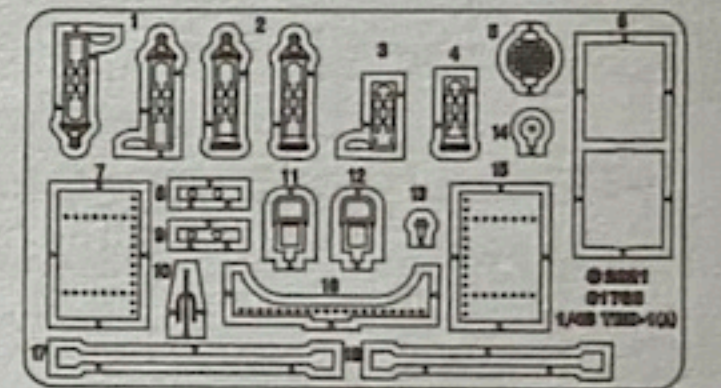
File / Sand



部品图 Parts



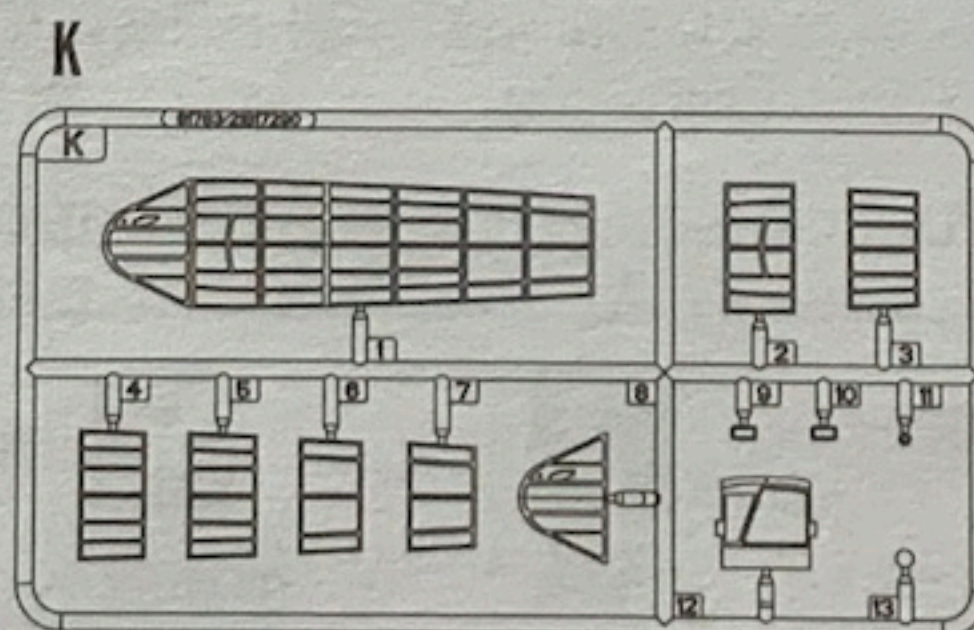
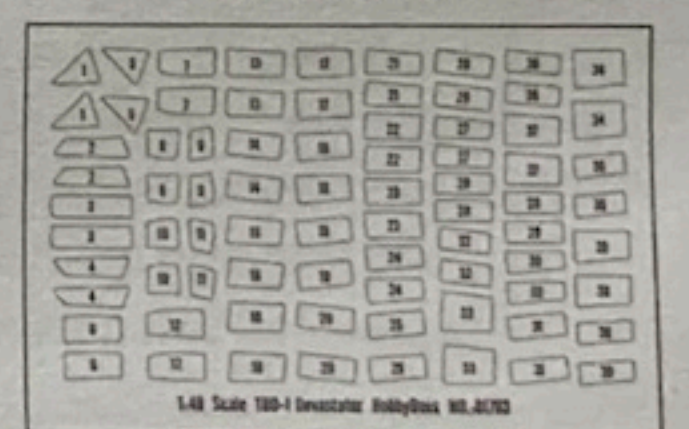
《蚀刻片》  
PE-A



《水贴纸》  
Decal

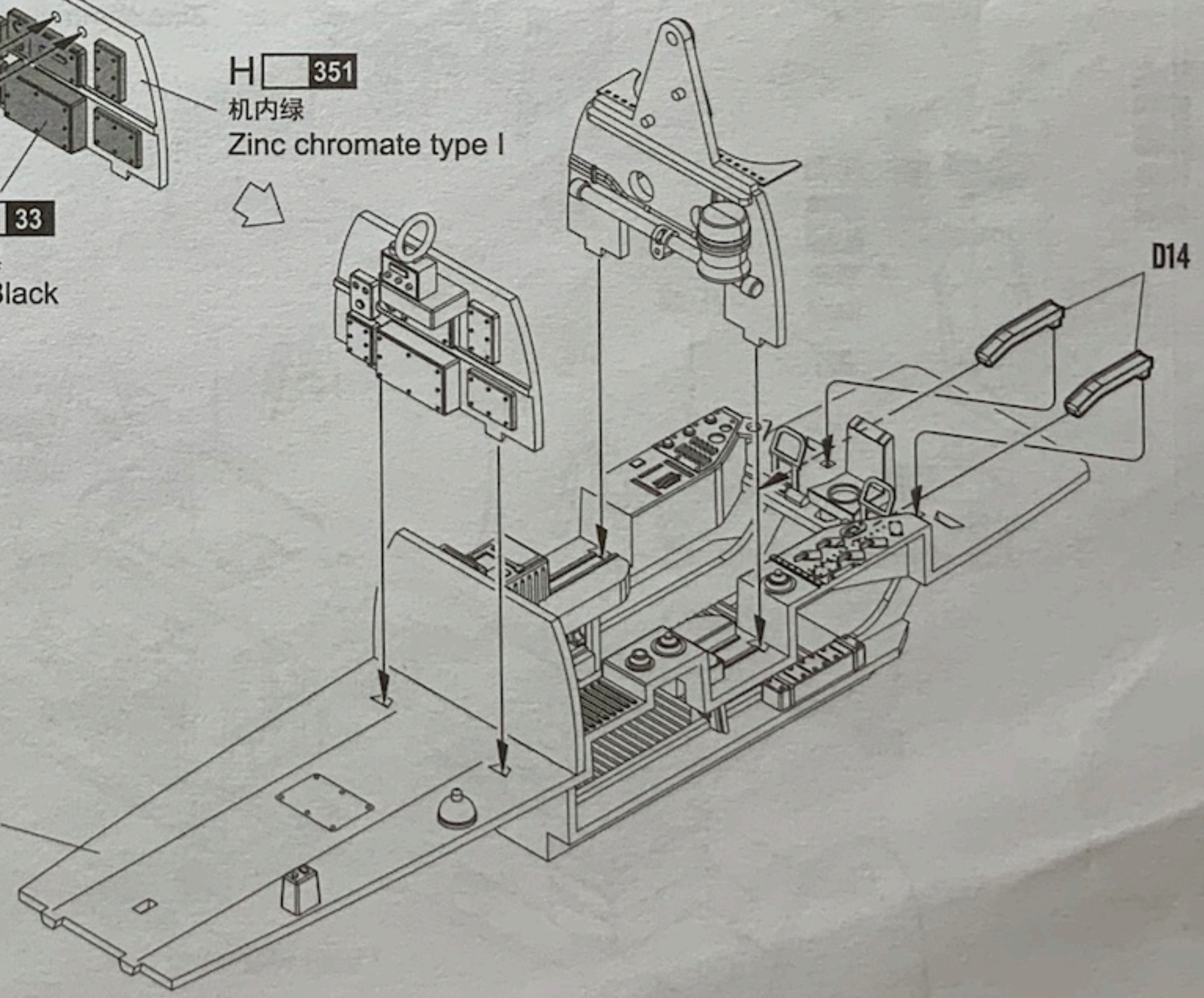
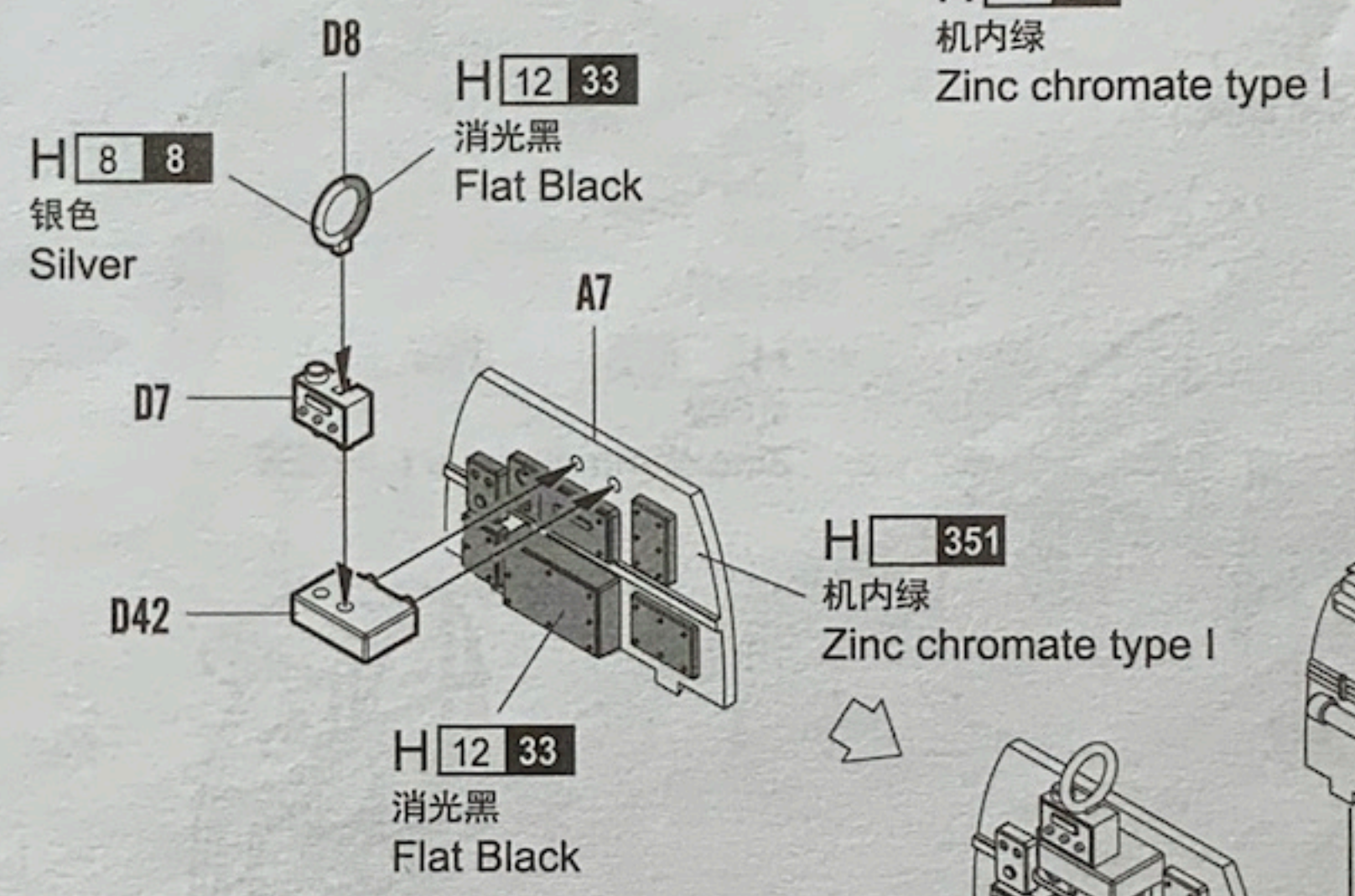
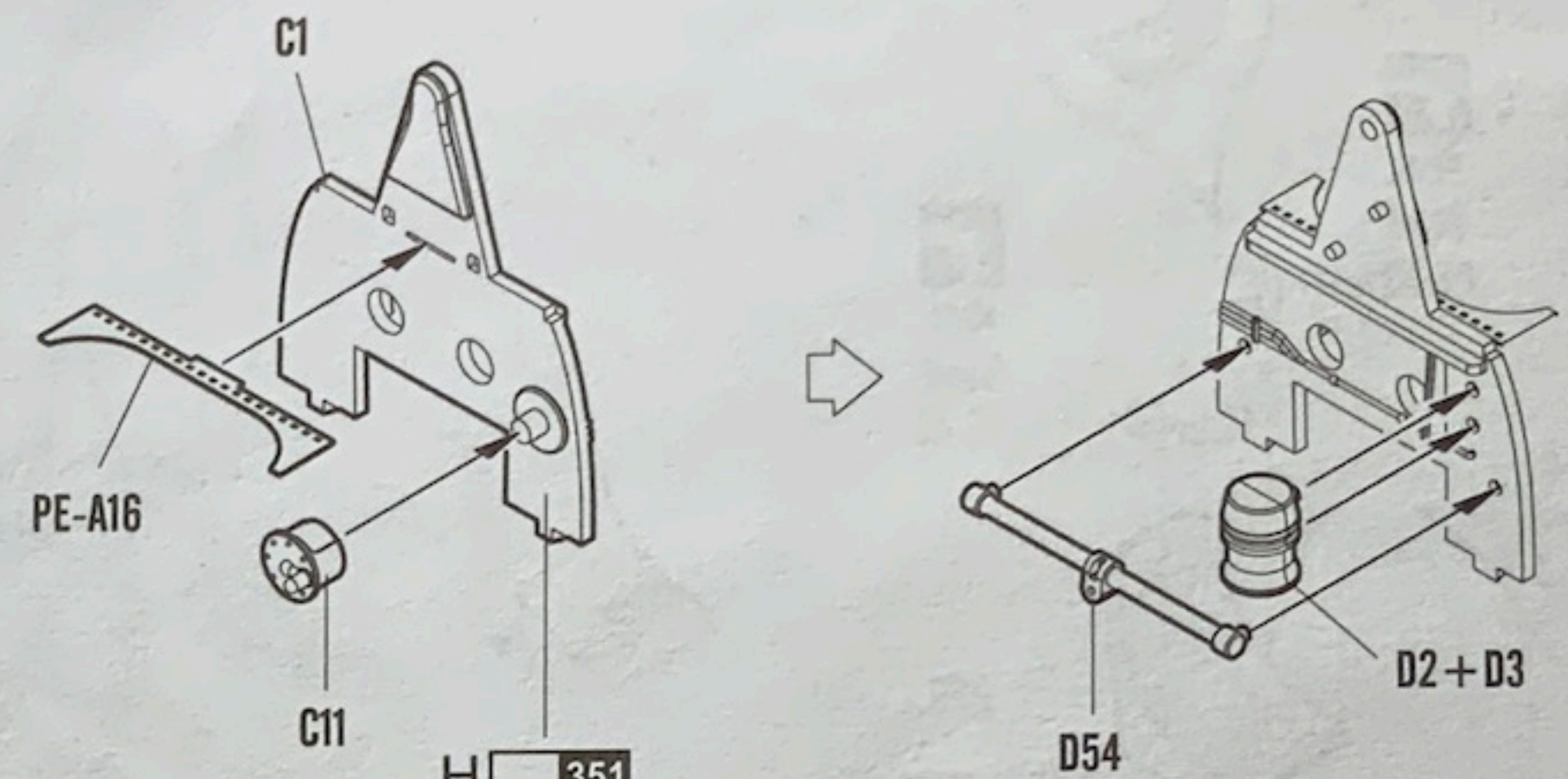
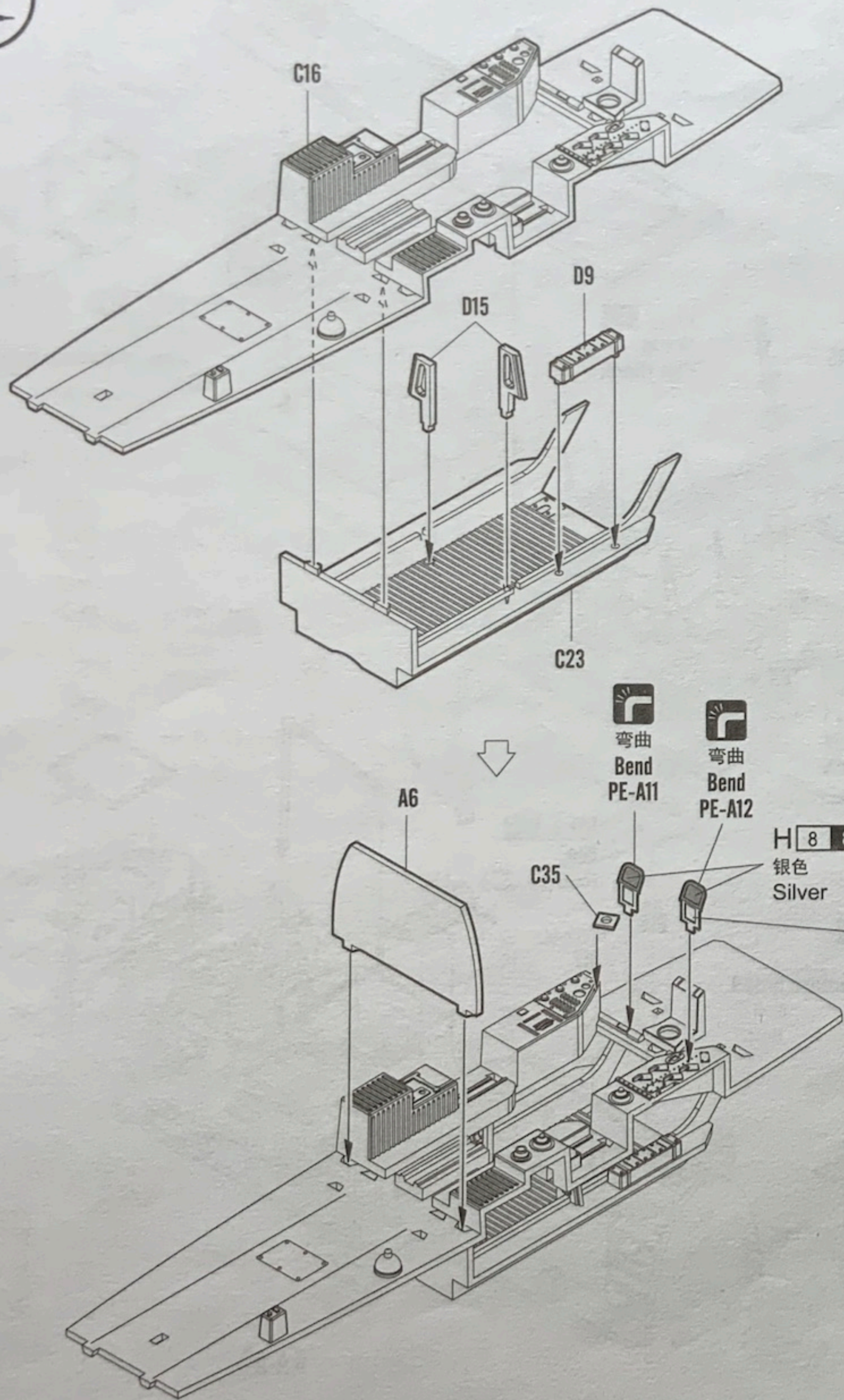


《遮盖纸》  
Die cut-mask





**1**  
STEP →





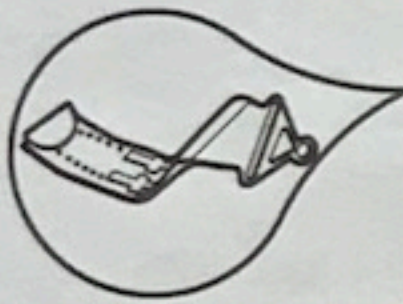
**2**  
STEP



弯曲  
Bend  
PE-A2



弯曲  
Bend  
PE-A1



D26

H 351

机内绿  
Zinc chromate type I



PE-A2



弯曲  
Bend

PE-A1



弯曲  
Bend

D27

H 351

机内绿  
Zinc chromate type I

PE-A8

C10

PE-A9

D29

H 351

机内绿  
Zinc chromate type I

D38

H 351

机内绿  
Zinc chromate type I

H 351

机内绿  
Zinc chromate type I

H 12 33

消光黑  
Flat Black

H 351

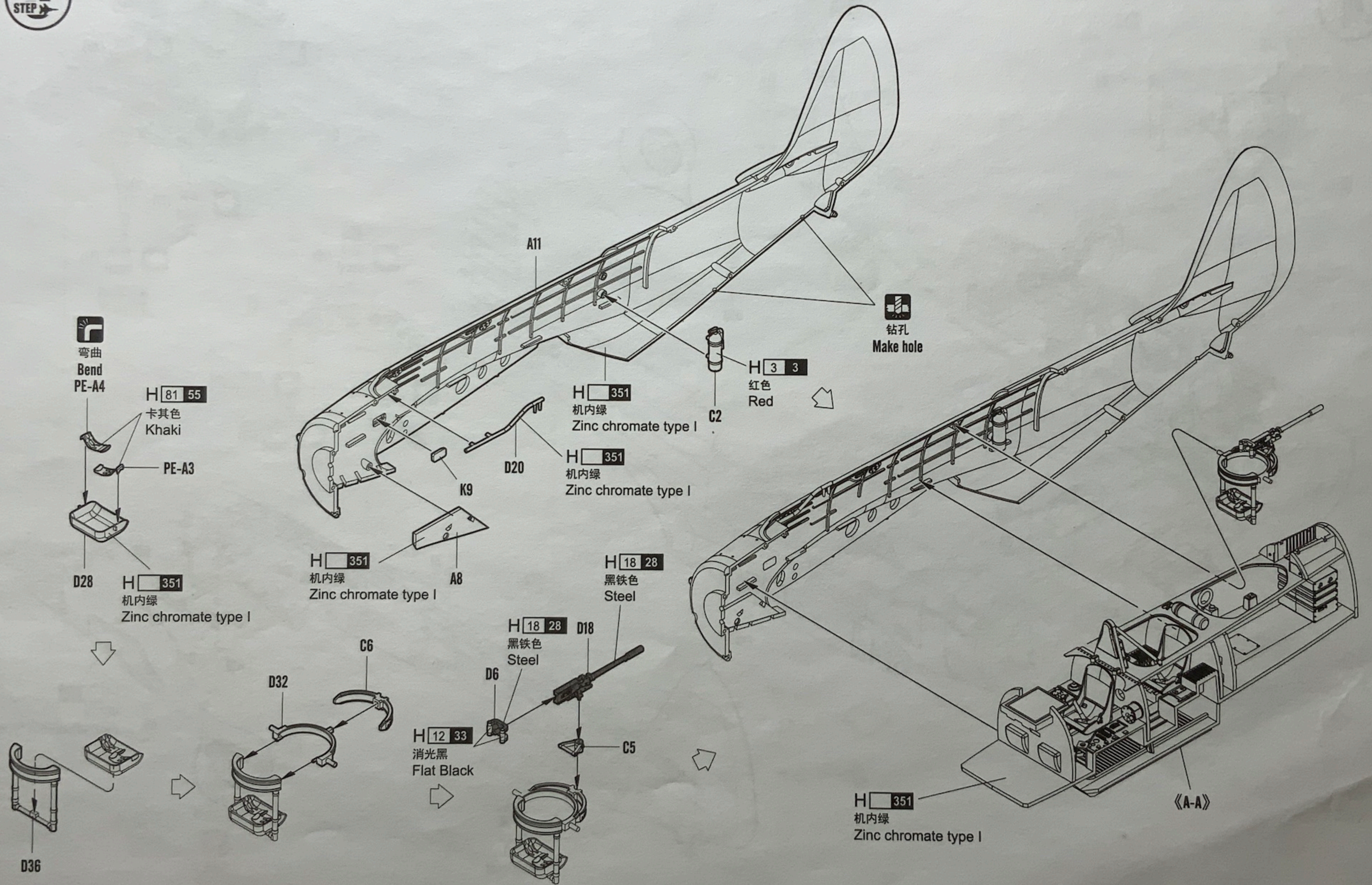
机内绿  
Zinc chromate type I

H 3 3

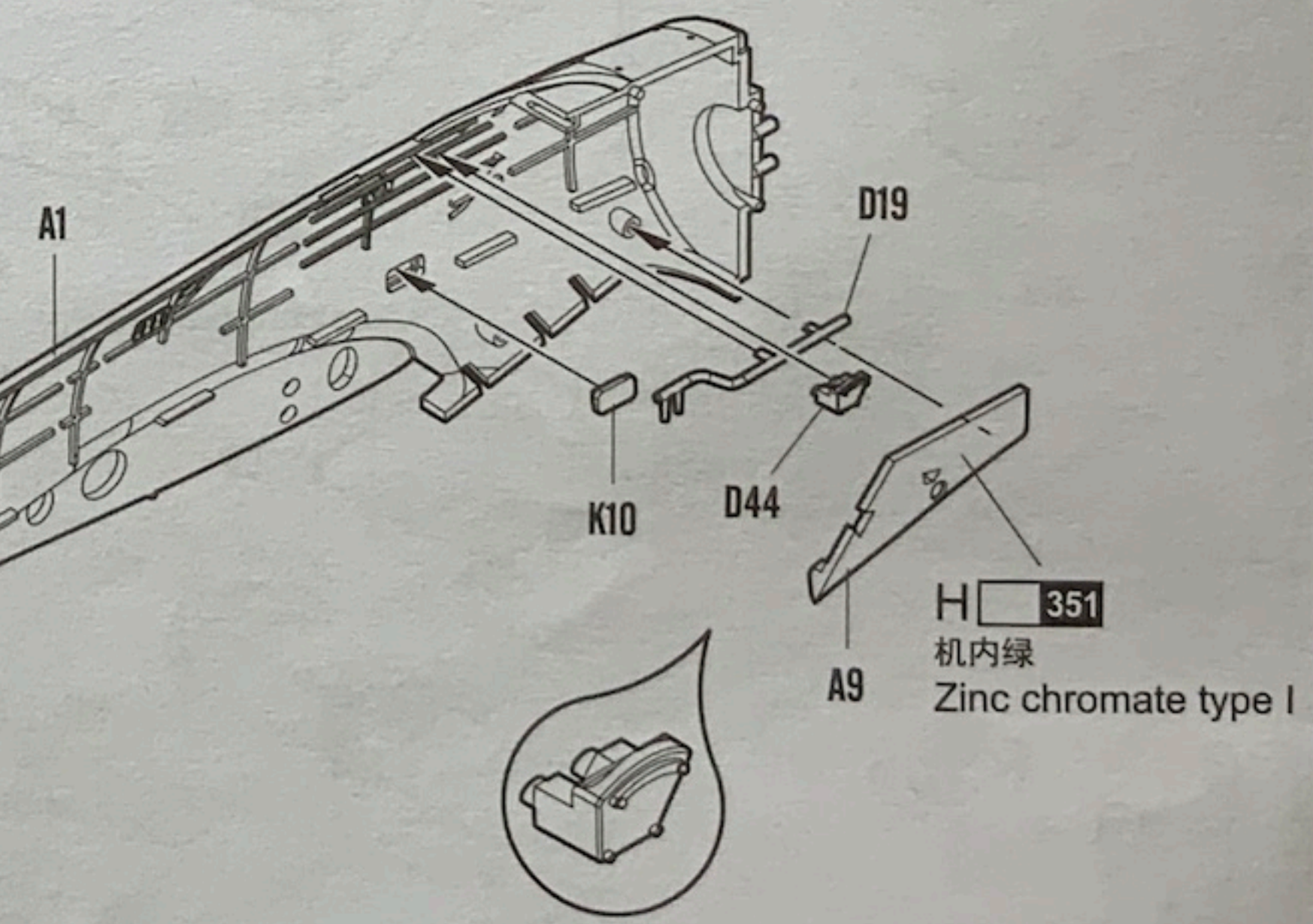
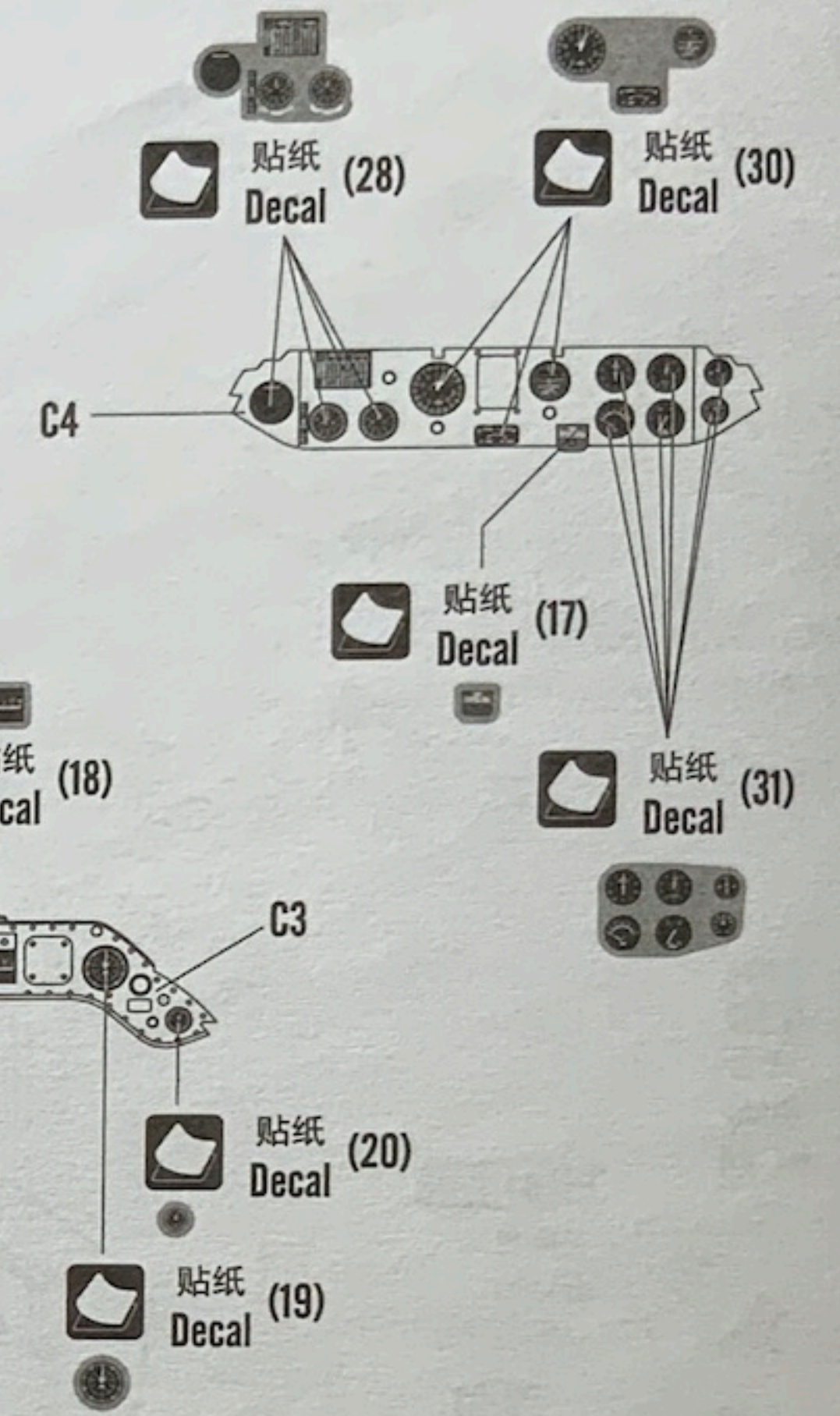
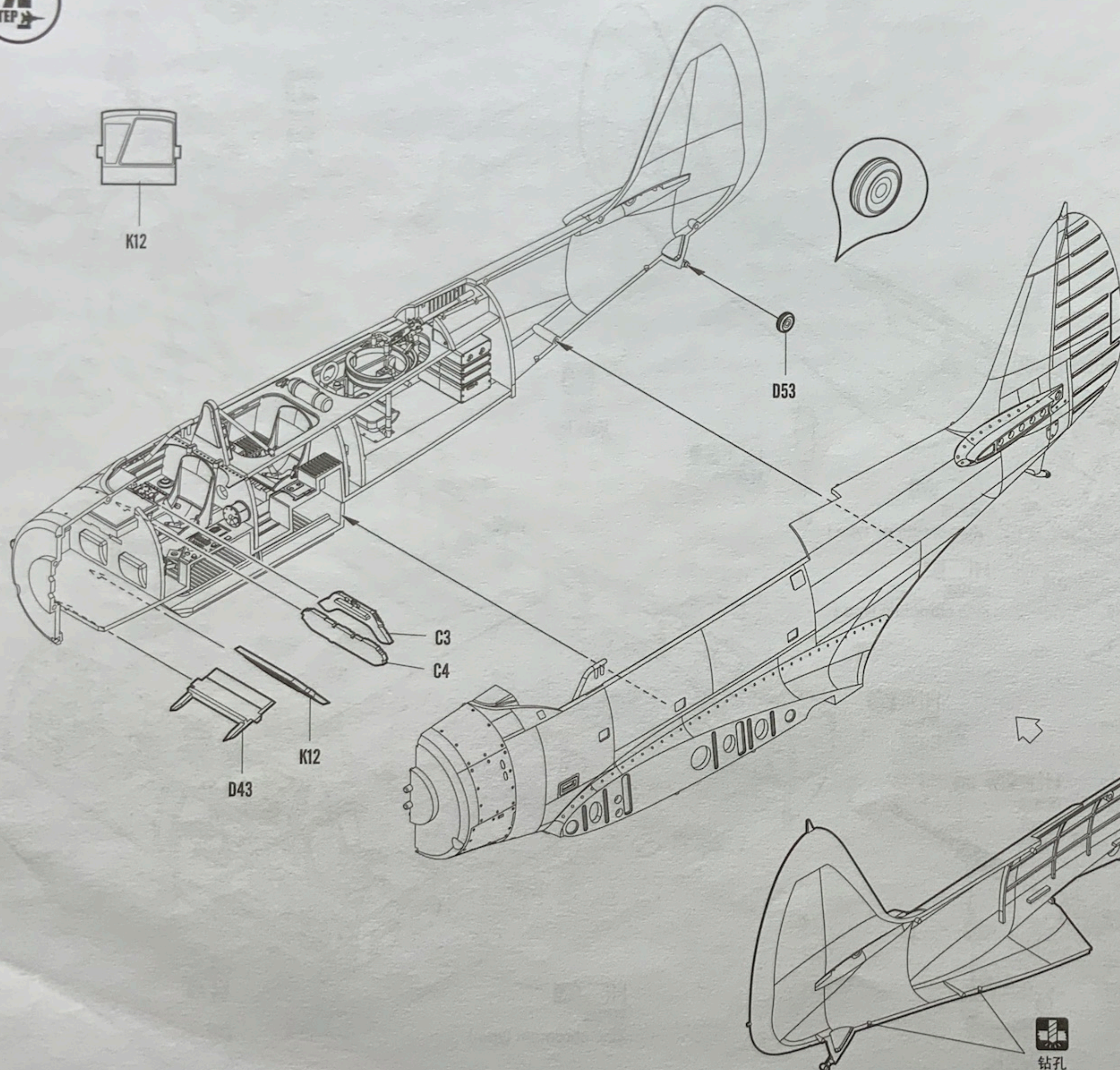
红色  
Red

《A-A》





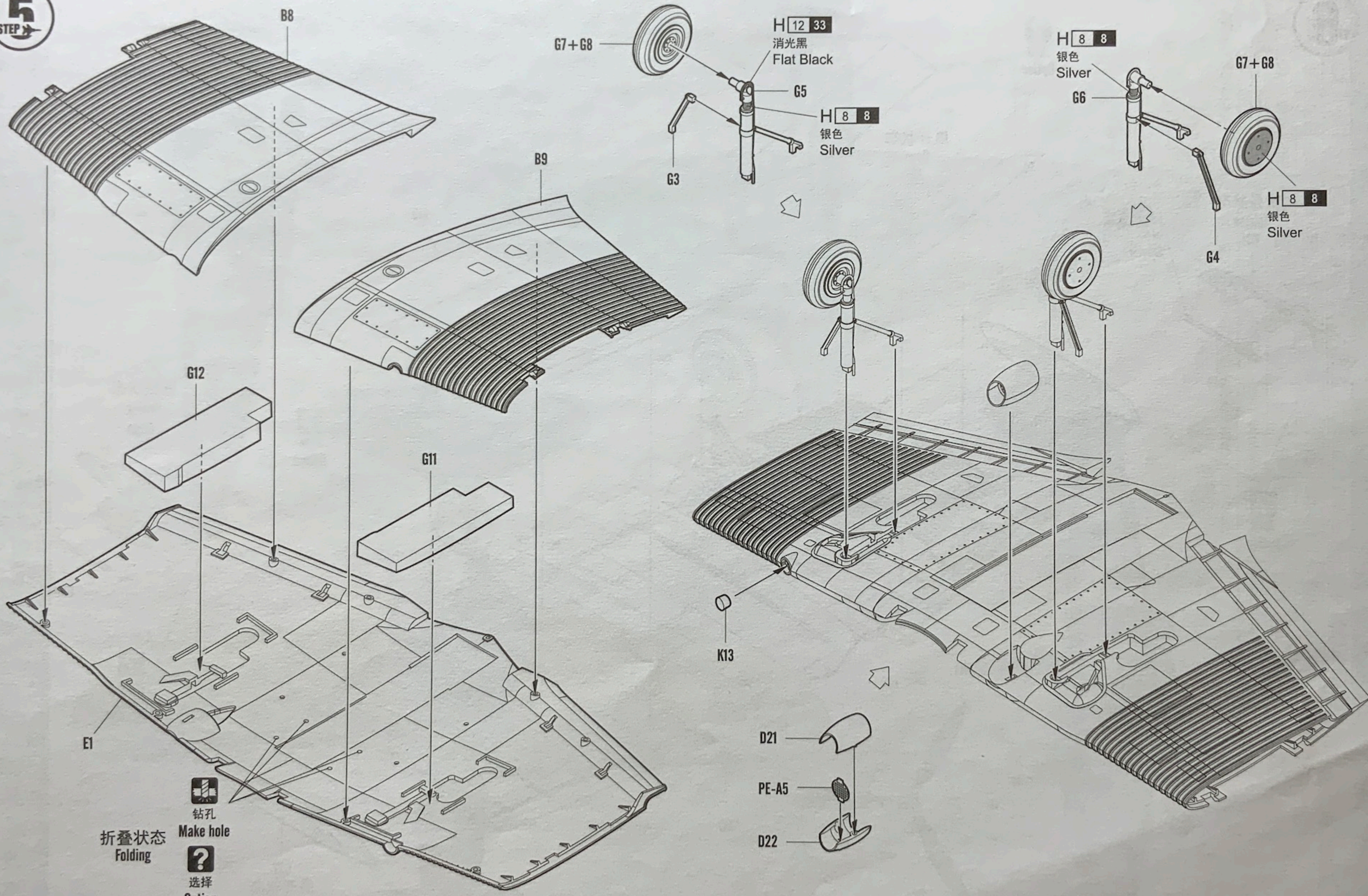




 钻孔  
 Make hole



**5**  
STEP

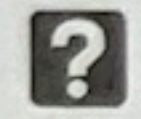


折叠状态  
Folding

钻孔  
Make hole

选择  
Option





选择  
Option

折叠状态  
Folding  
A12

展开状态  
Open  
A2

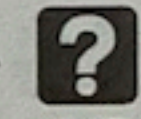
折叠状态  
Folding  
C31

H 8 8  
银色  
Silver

展开状态  
Open  
C26

展开状态  
Open  
A3

A13



选择  
Option

折叠状态  
Folding  
C30

H 8 8  
银色  
Silver

D50



选择  
Option

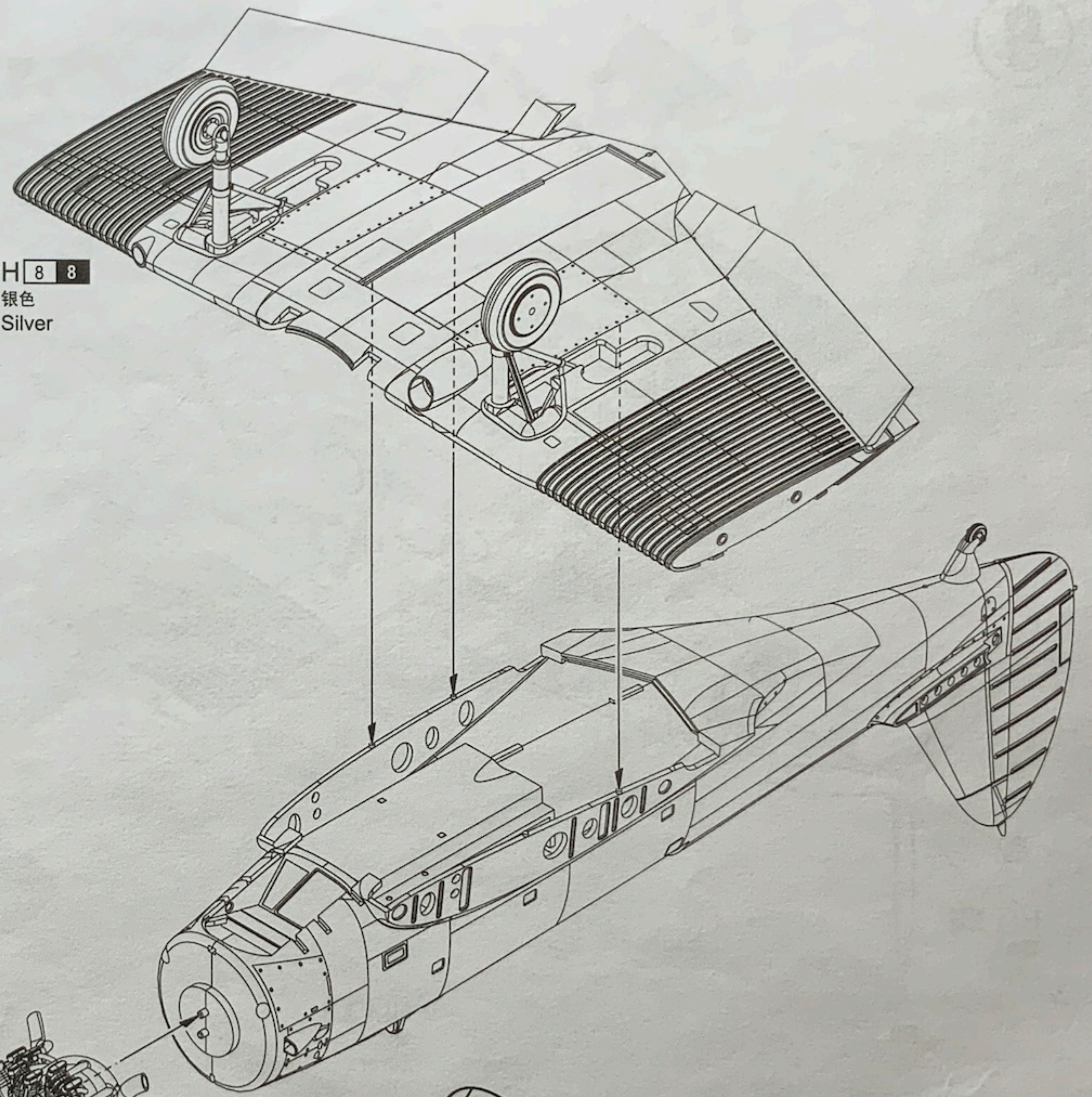
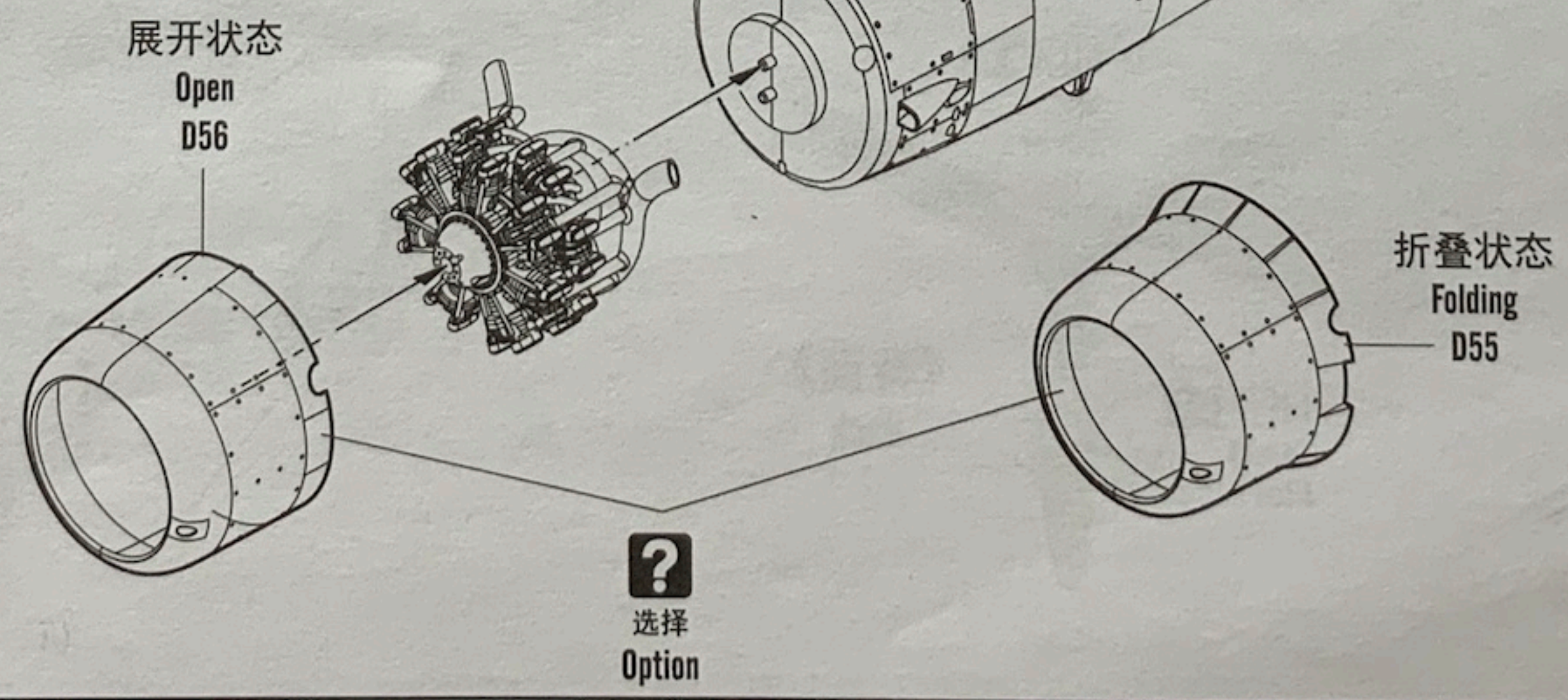
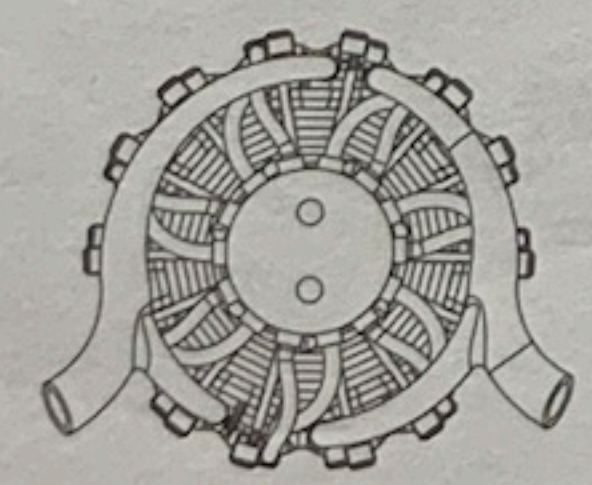
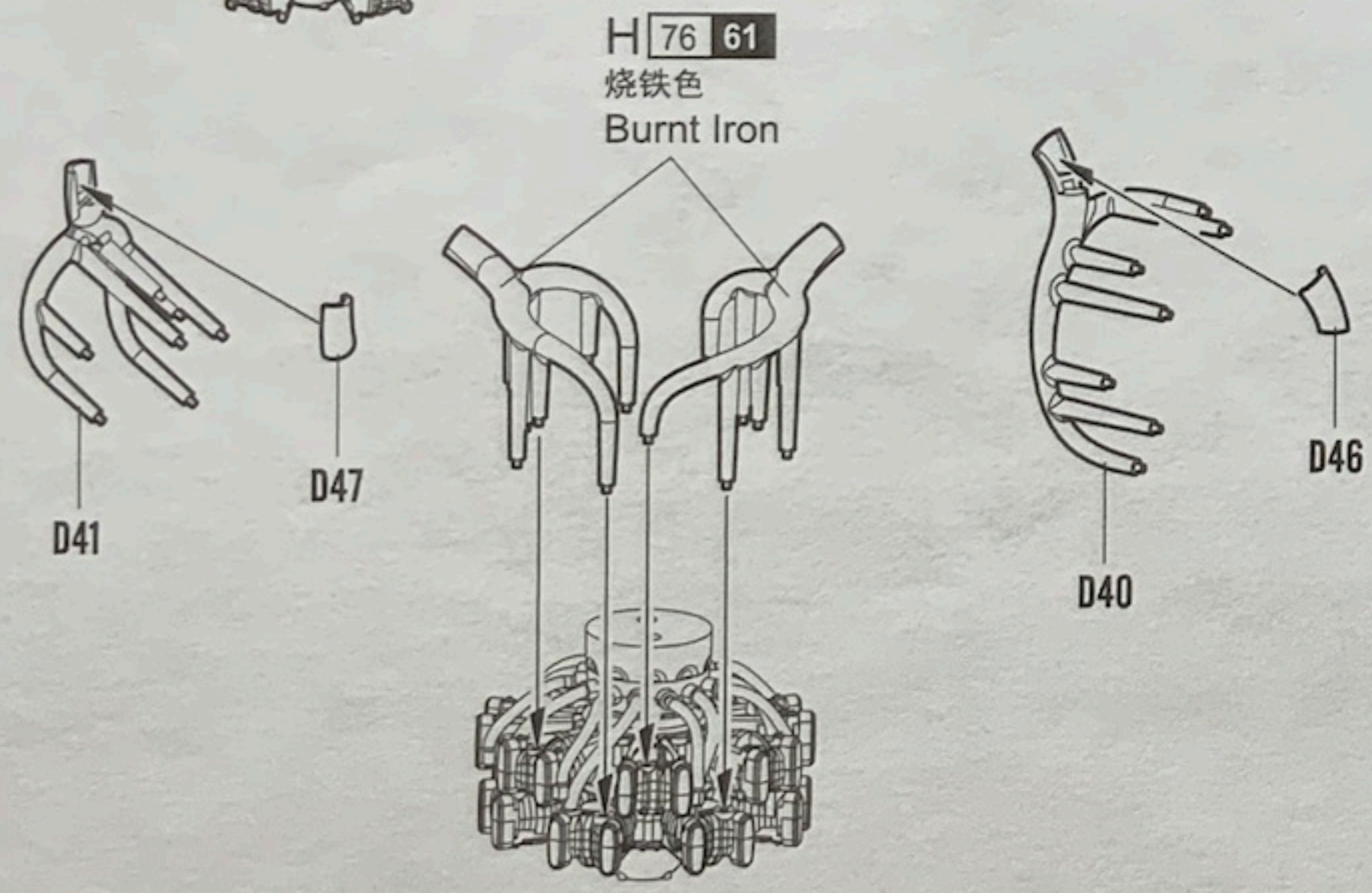
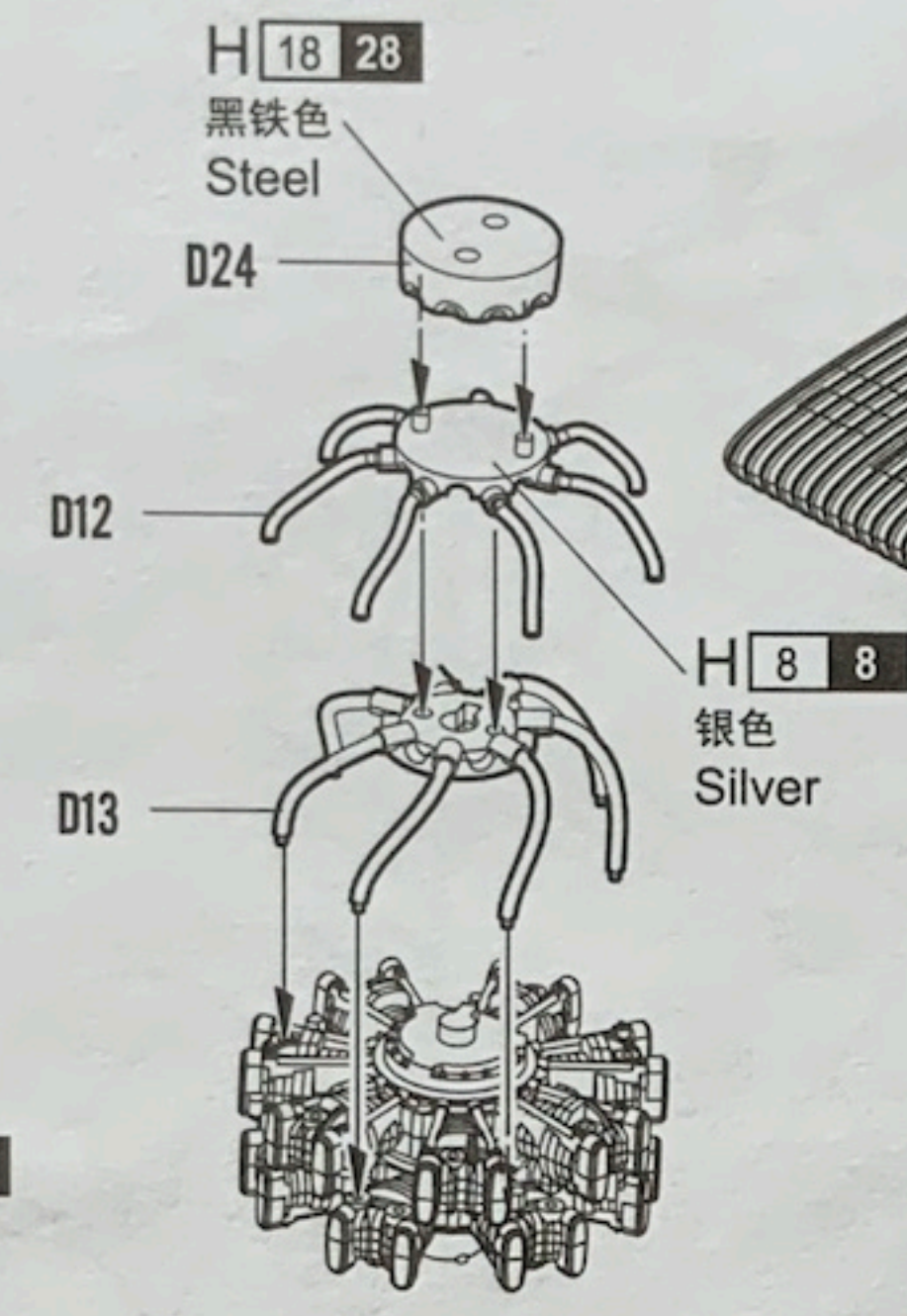
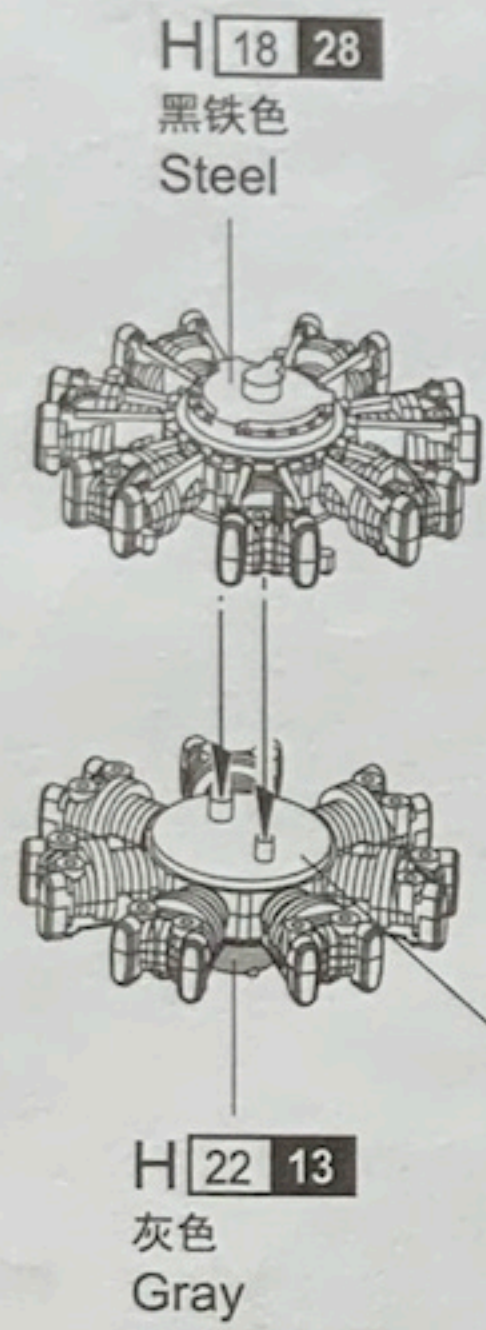
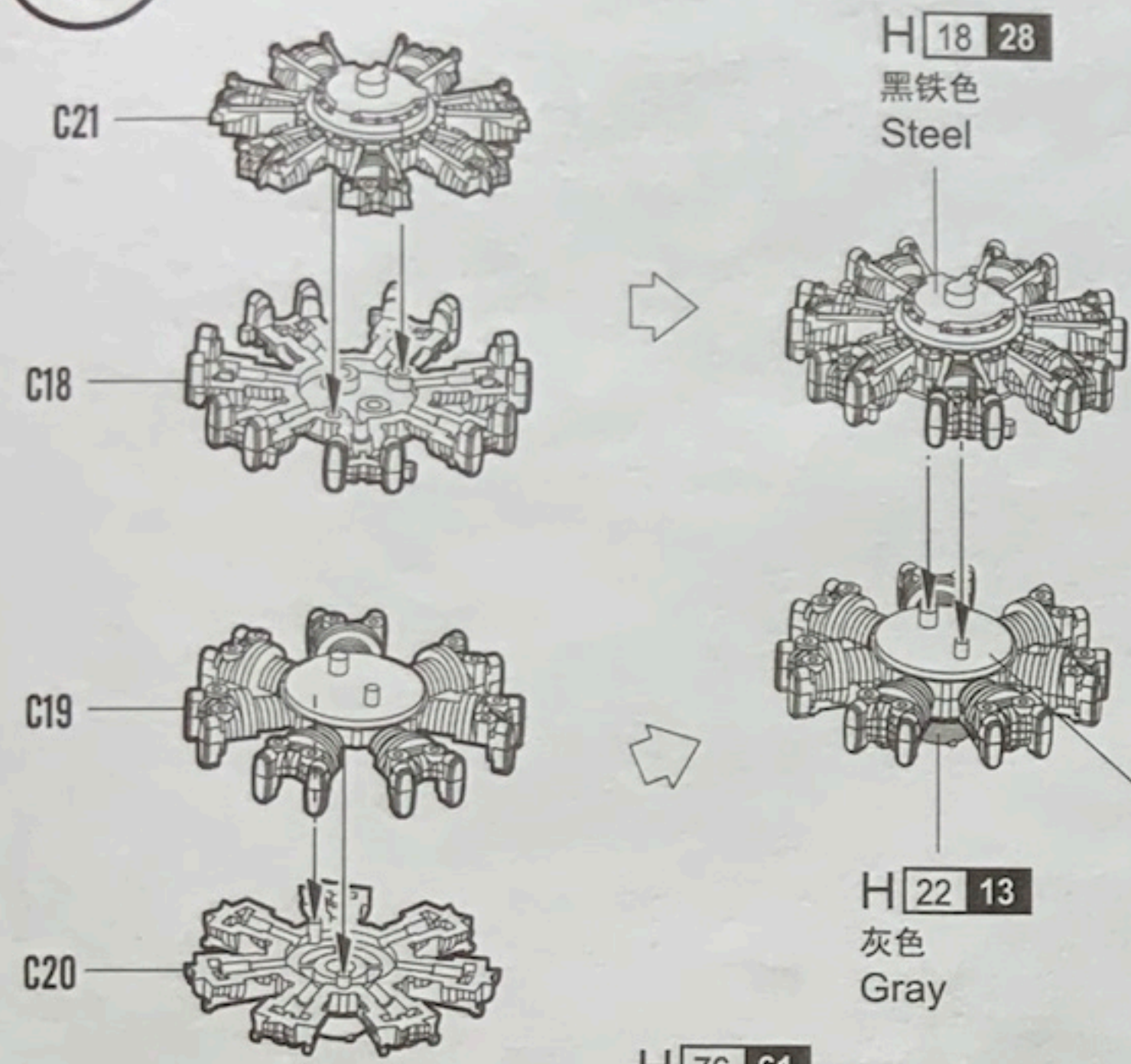


选择  
Option

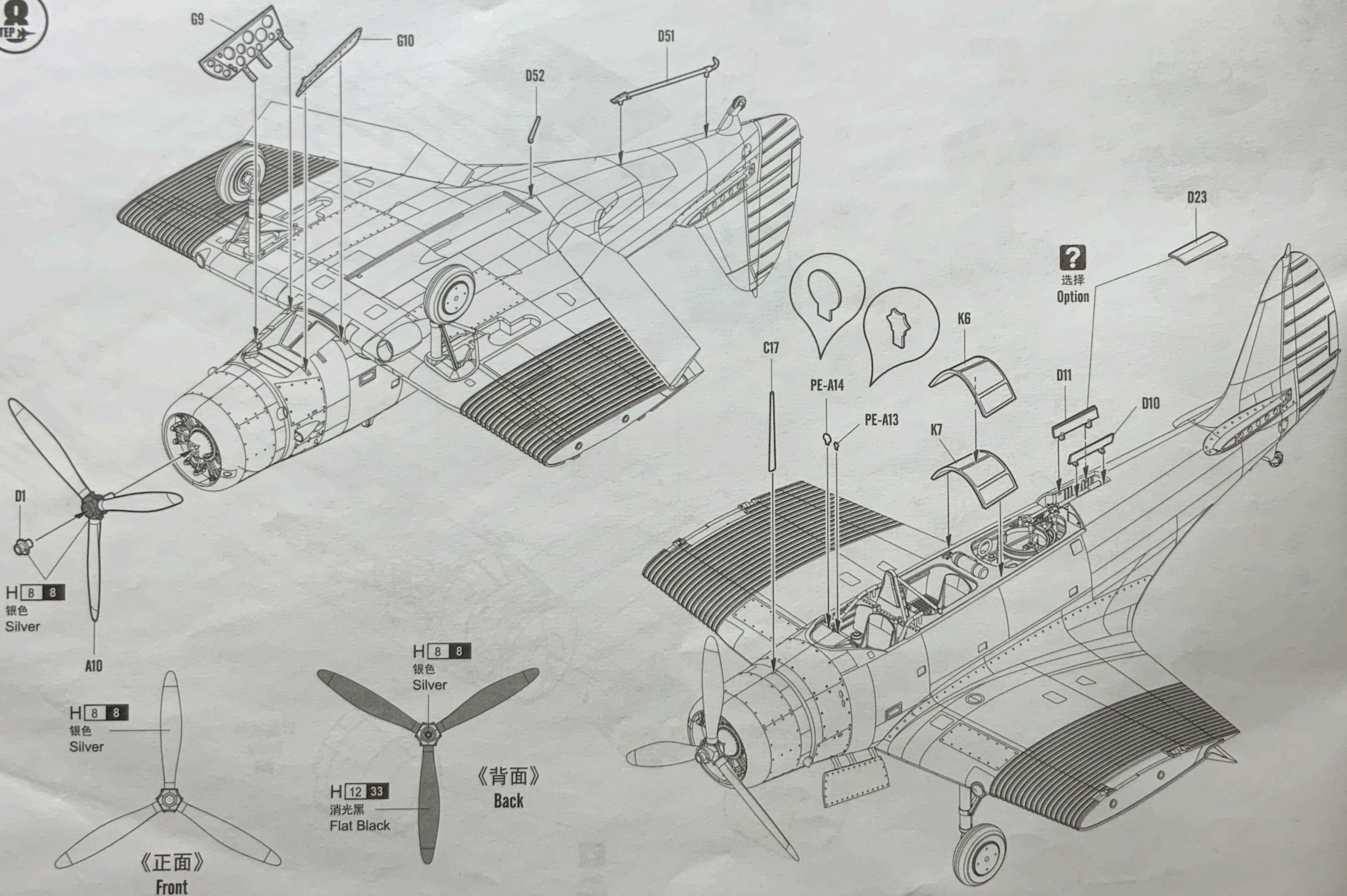
C27  
展开状态  
Open



**7**  
STEP



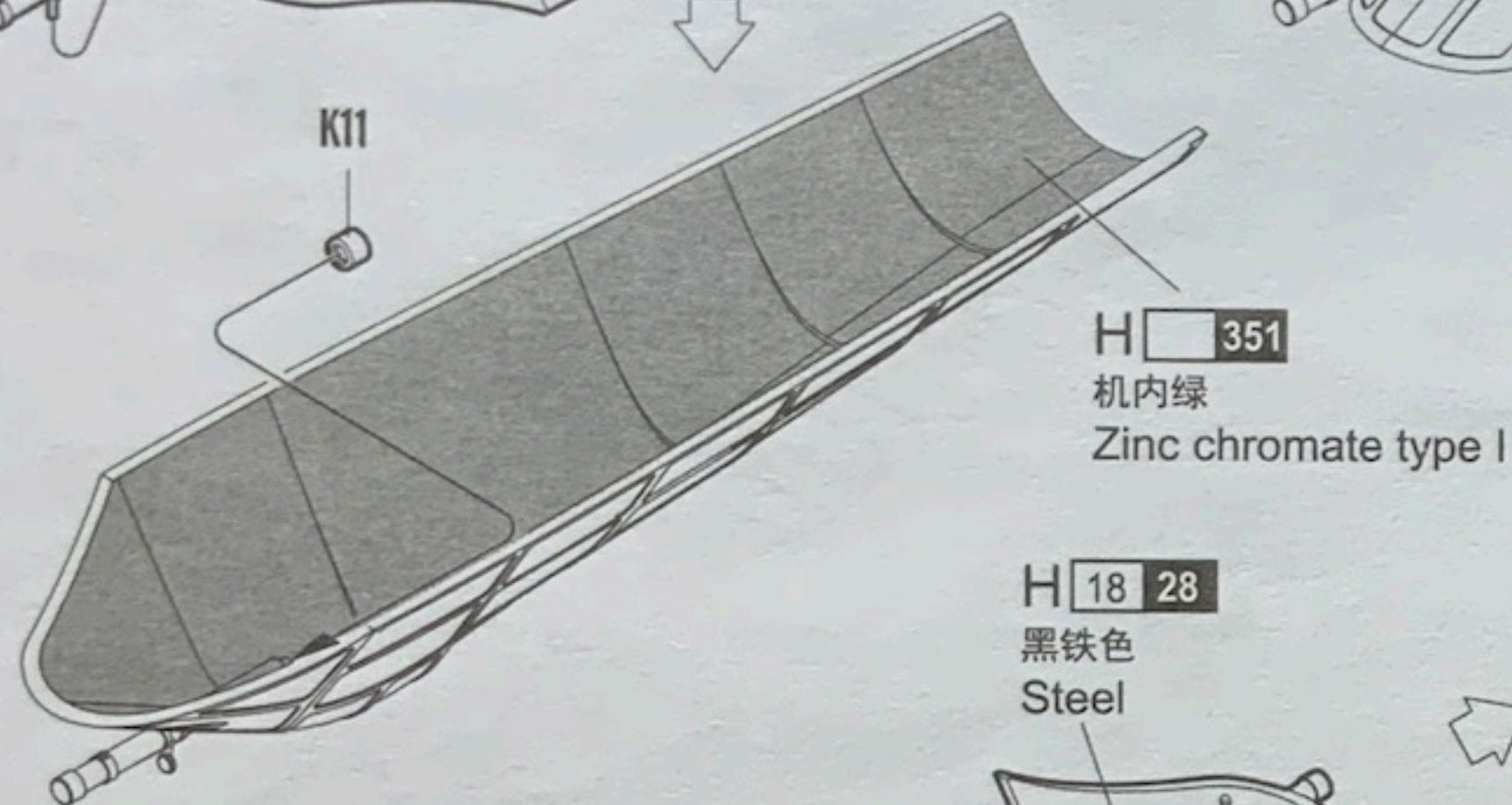
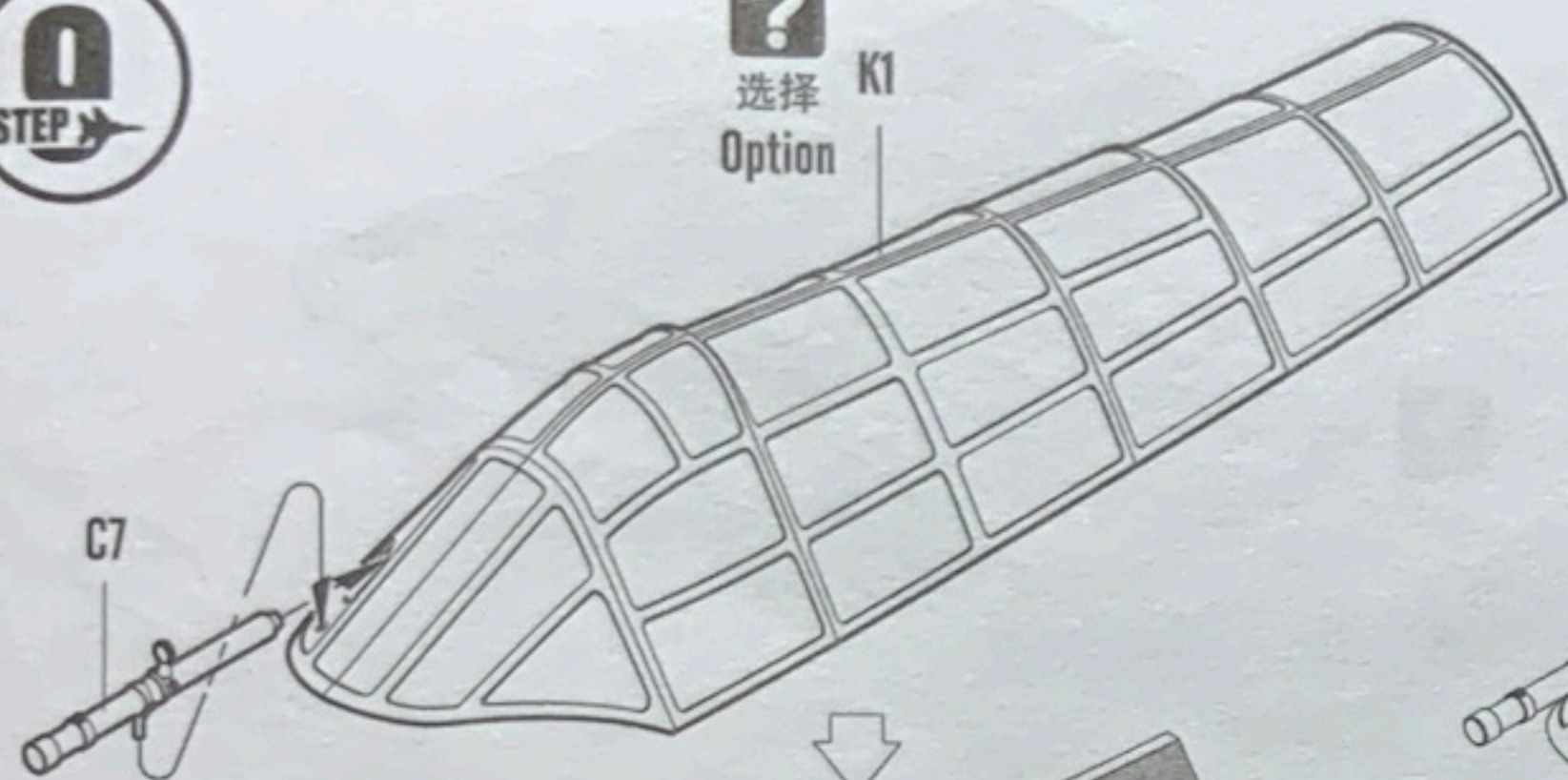




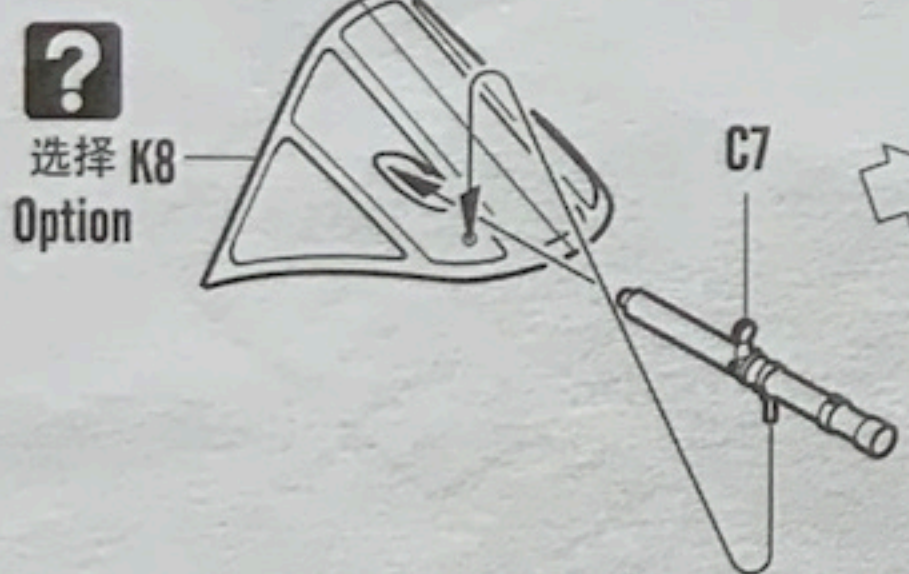




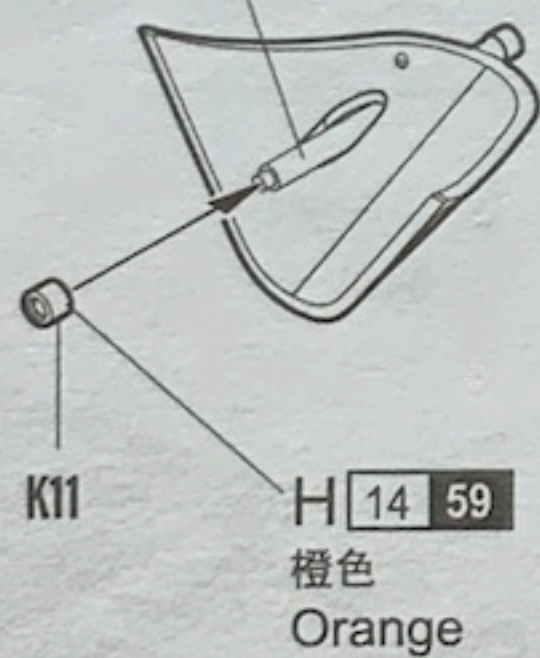
选择 K1  
Option



H 18 28  
黑铁色  
Steel

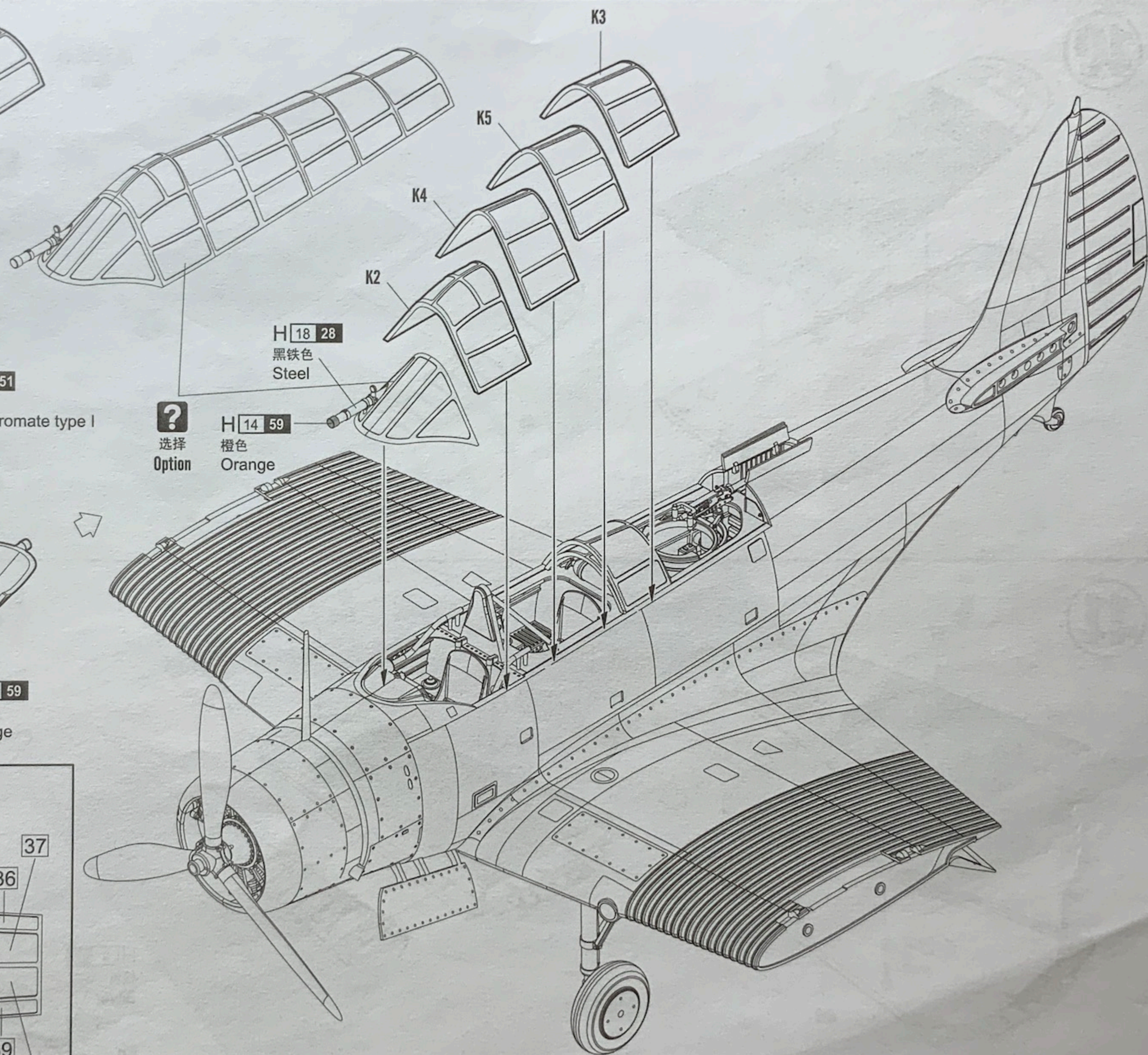
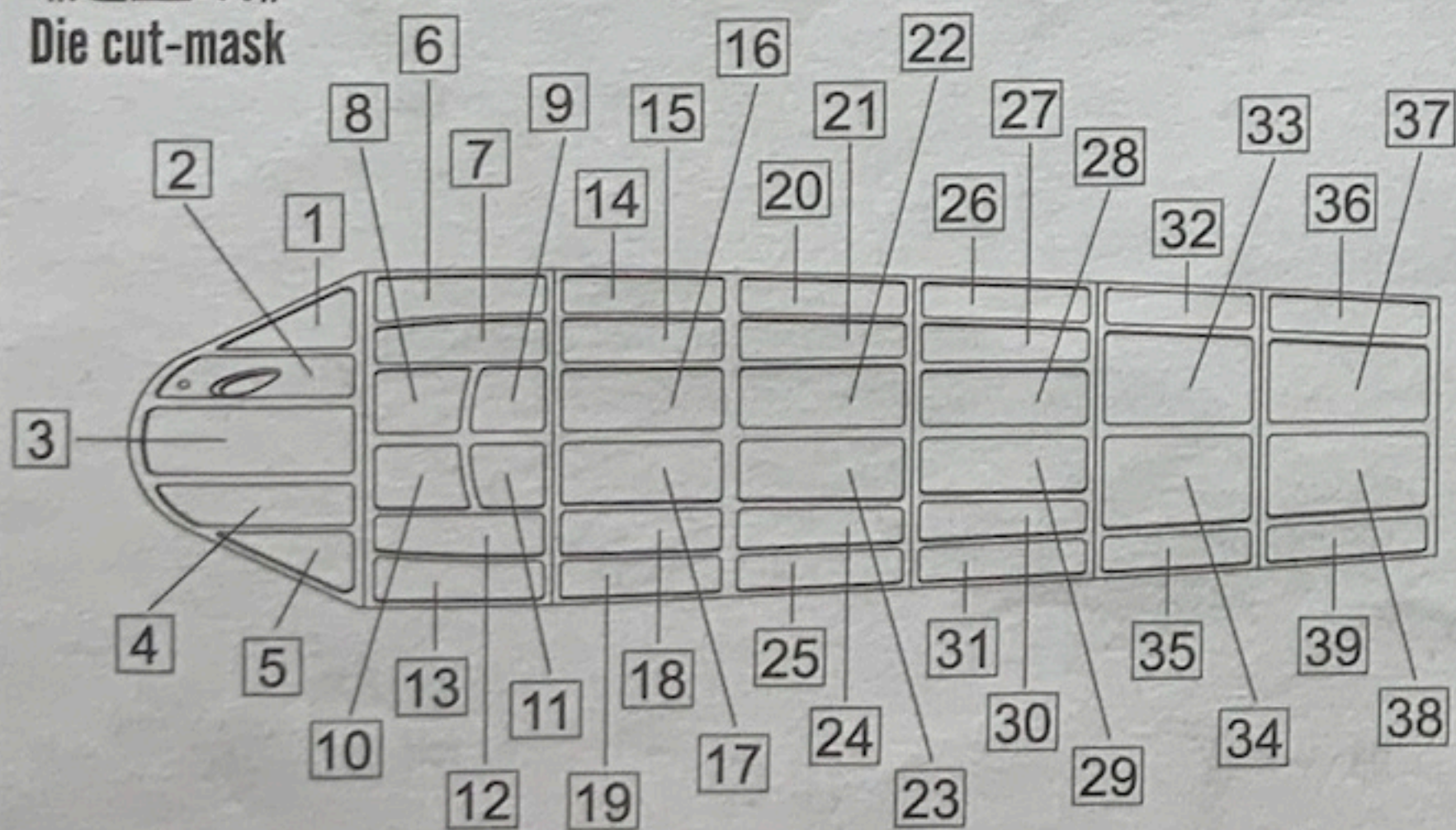


选择 K8  
Option



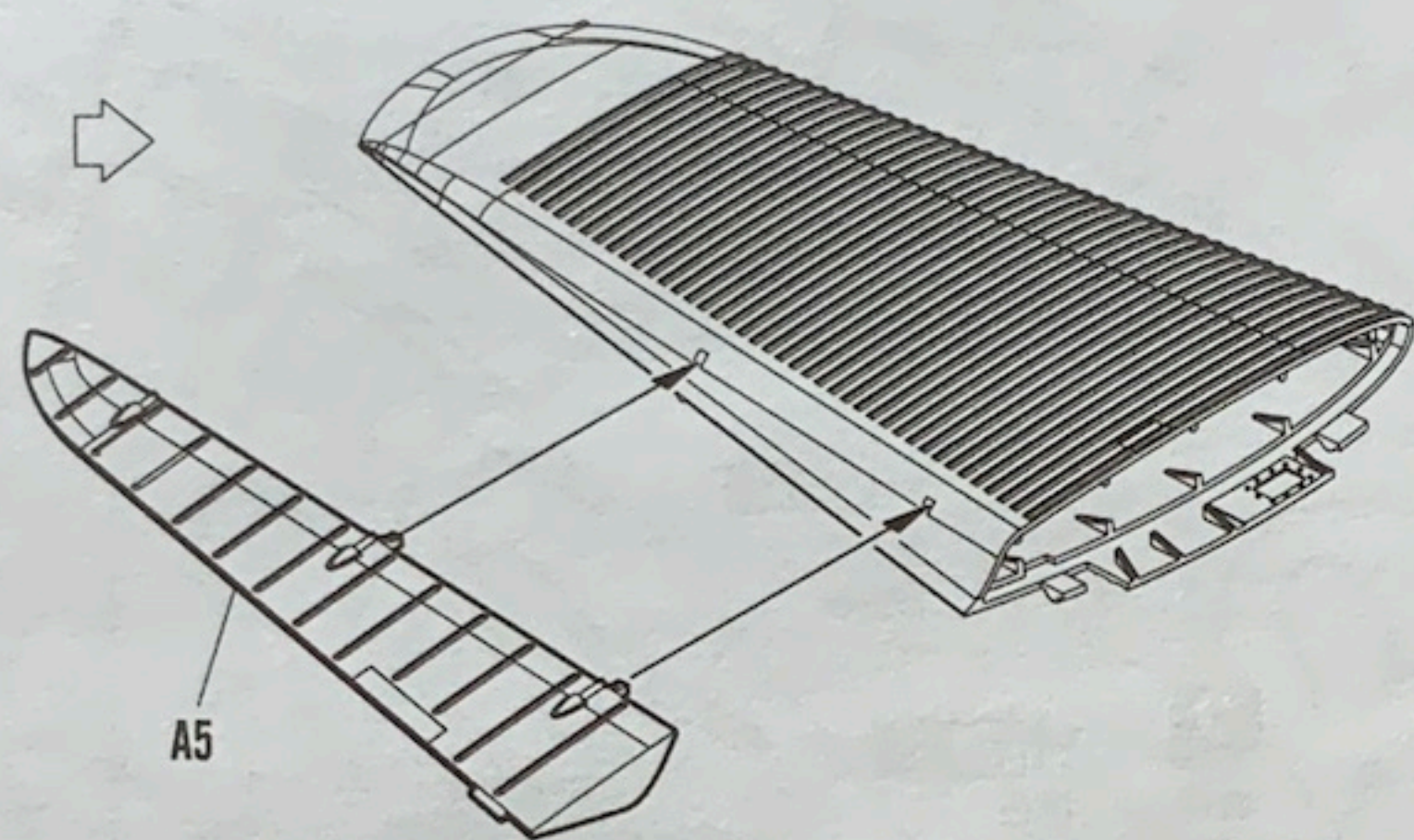
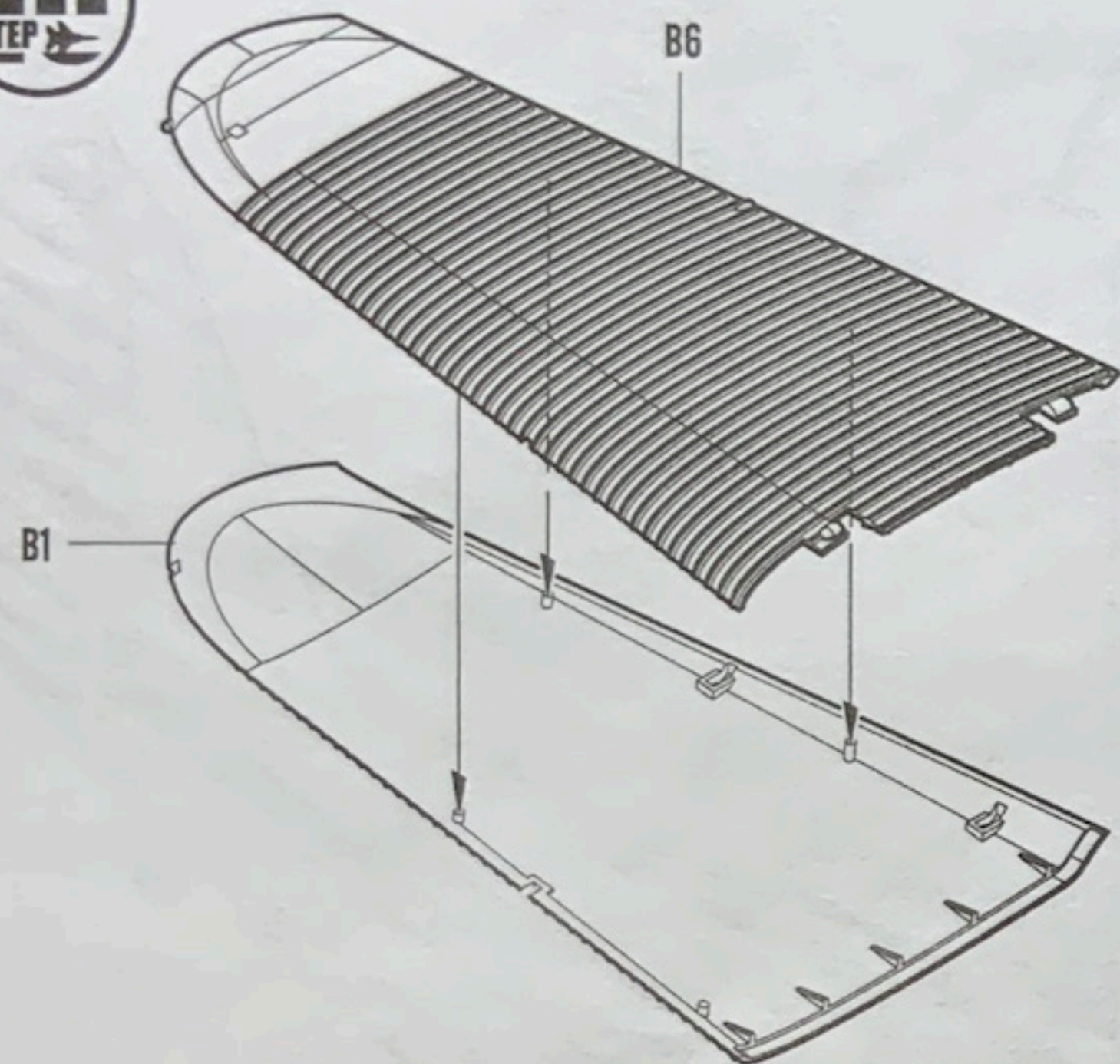
H 14 59  
橙色  
Orange

《遮盖纸》  
Die cut-mask



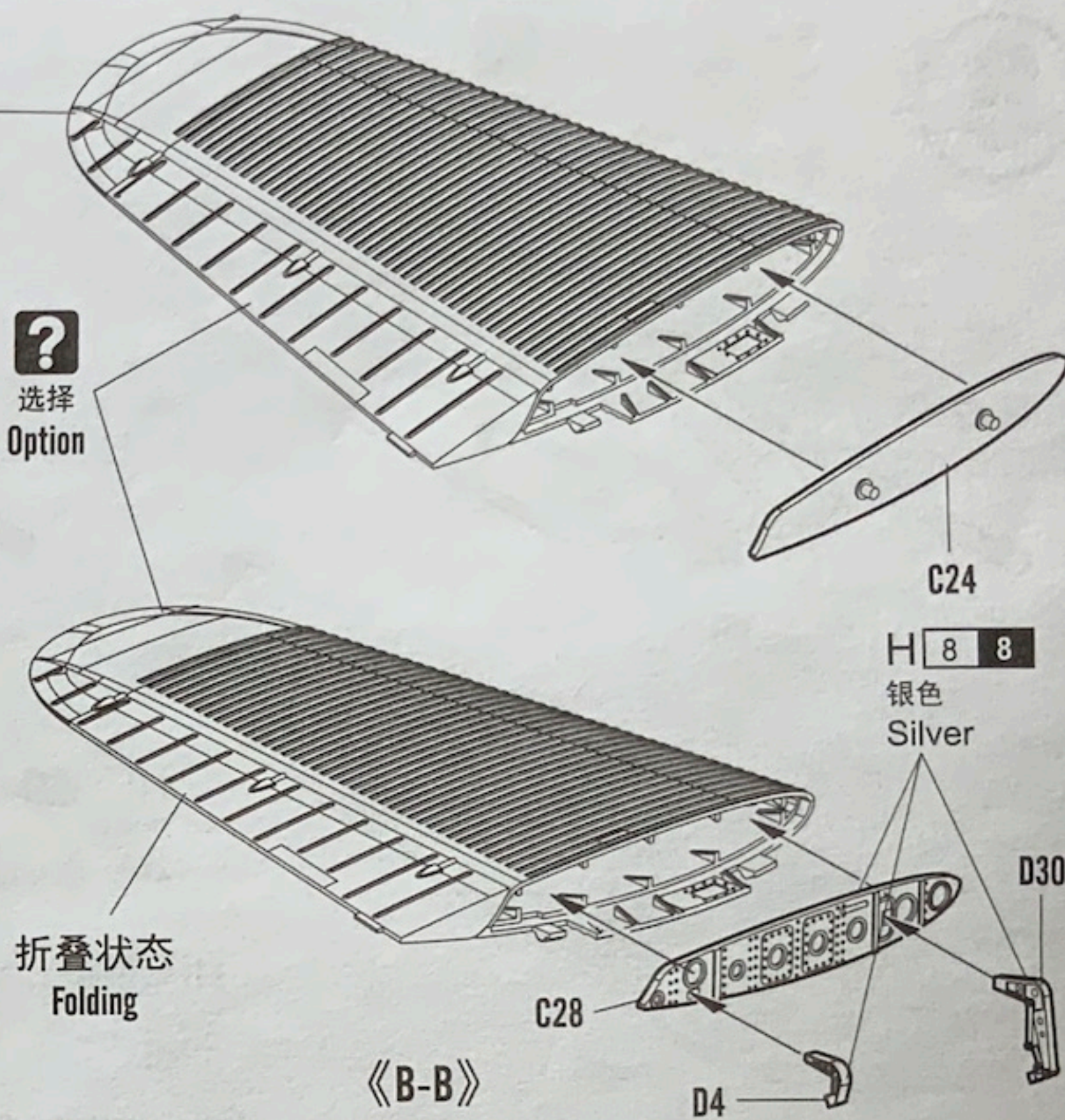


10  
STEP



展开状态  
Open

?  
选择  
Option



H 8 8  
银色  
Silver

D4

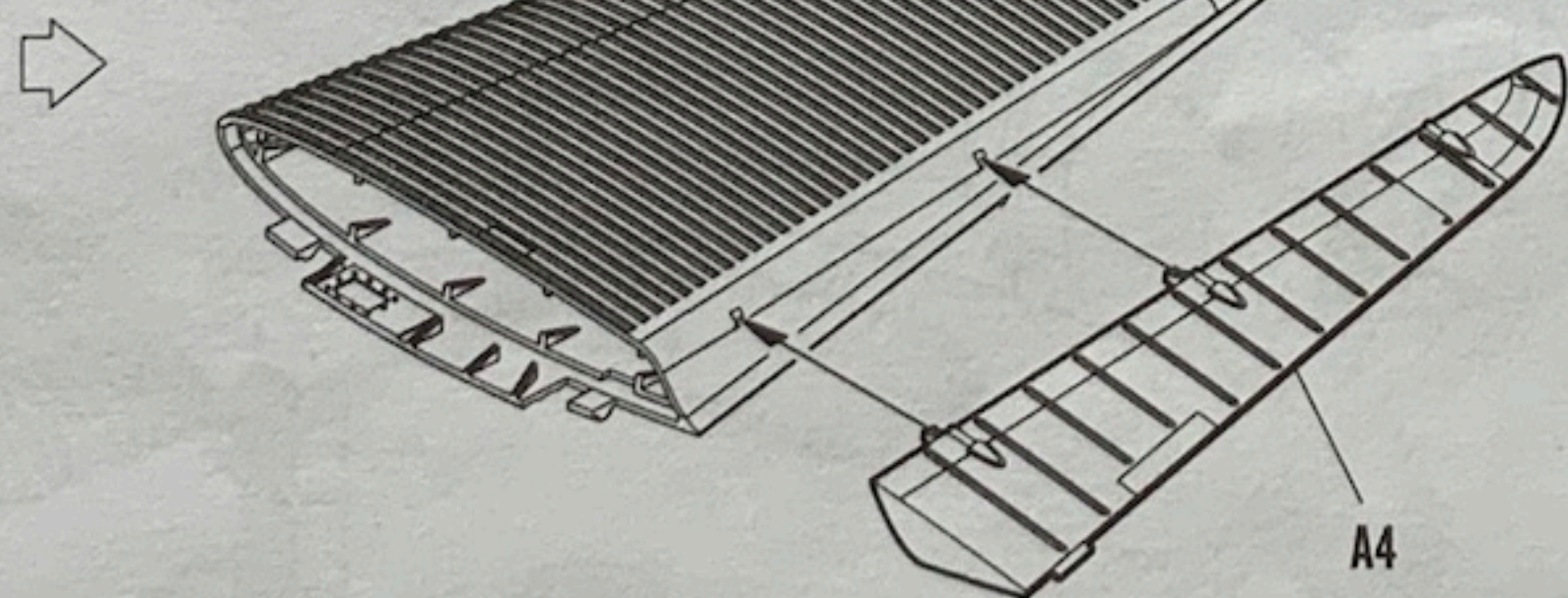
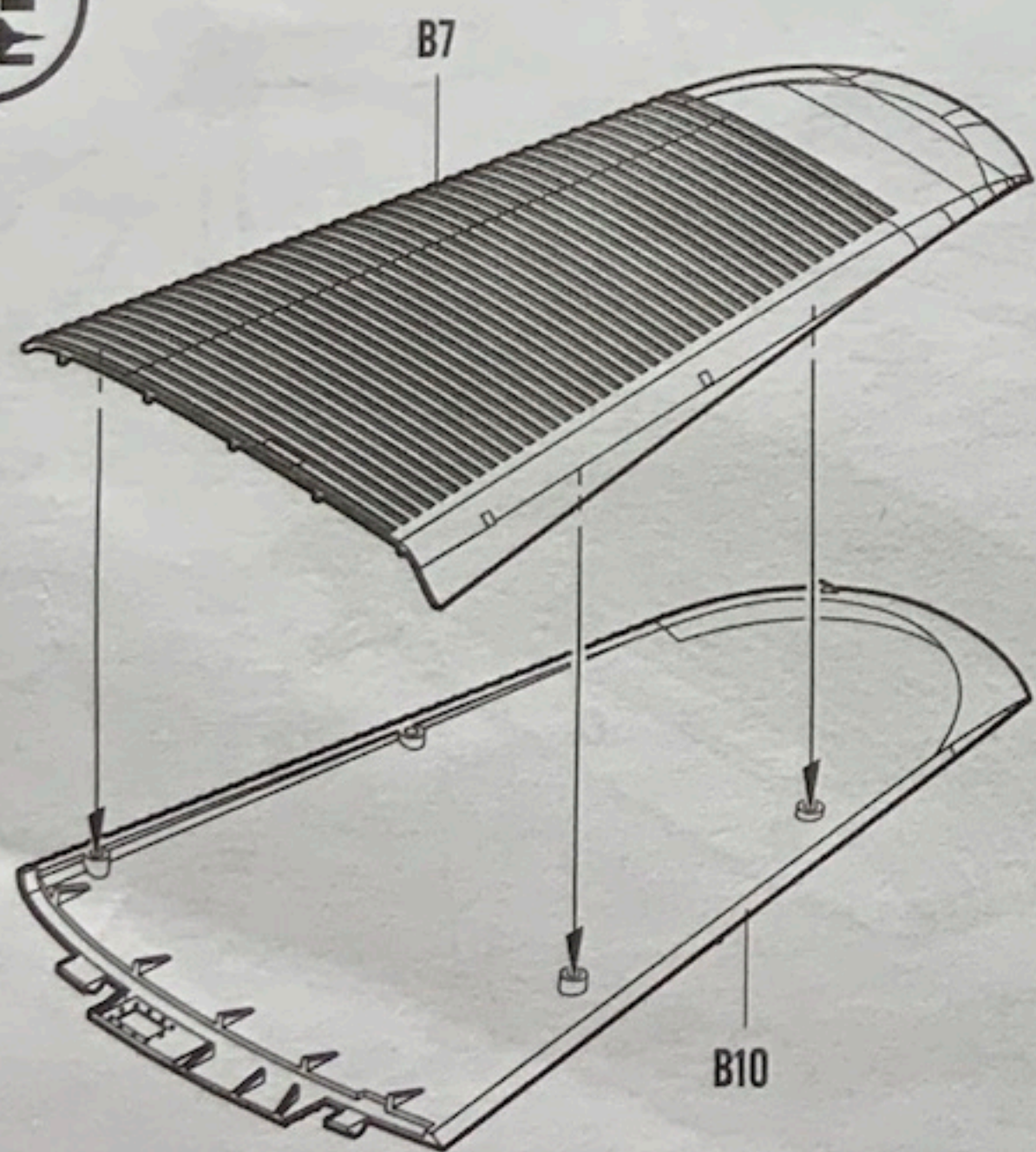
$\langle\langle B-B \rangle\rangle$

折叠状态  
Folding

C28

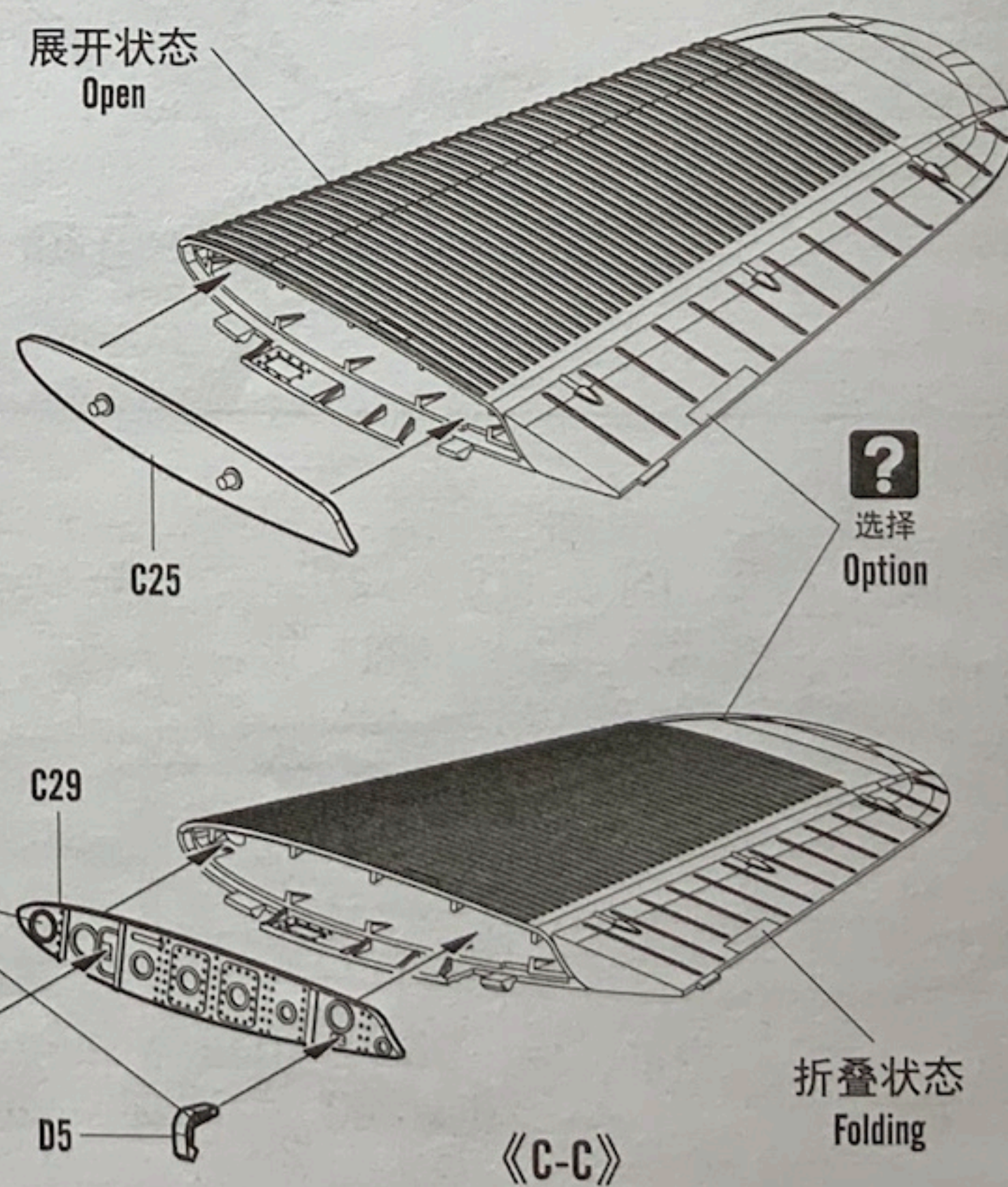
C24

11  
STEP



展开状态  
Open

?  
选择  
Option



H 8 8  
银色  
Silver

D31

C29

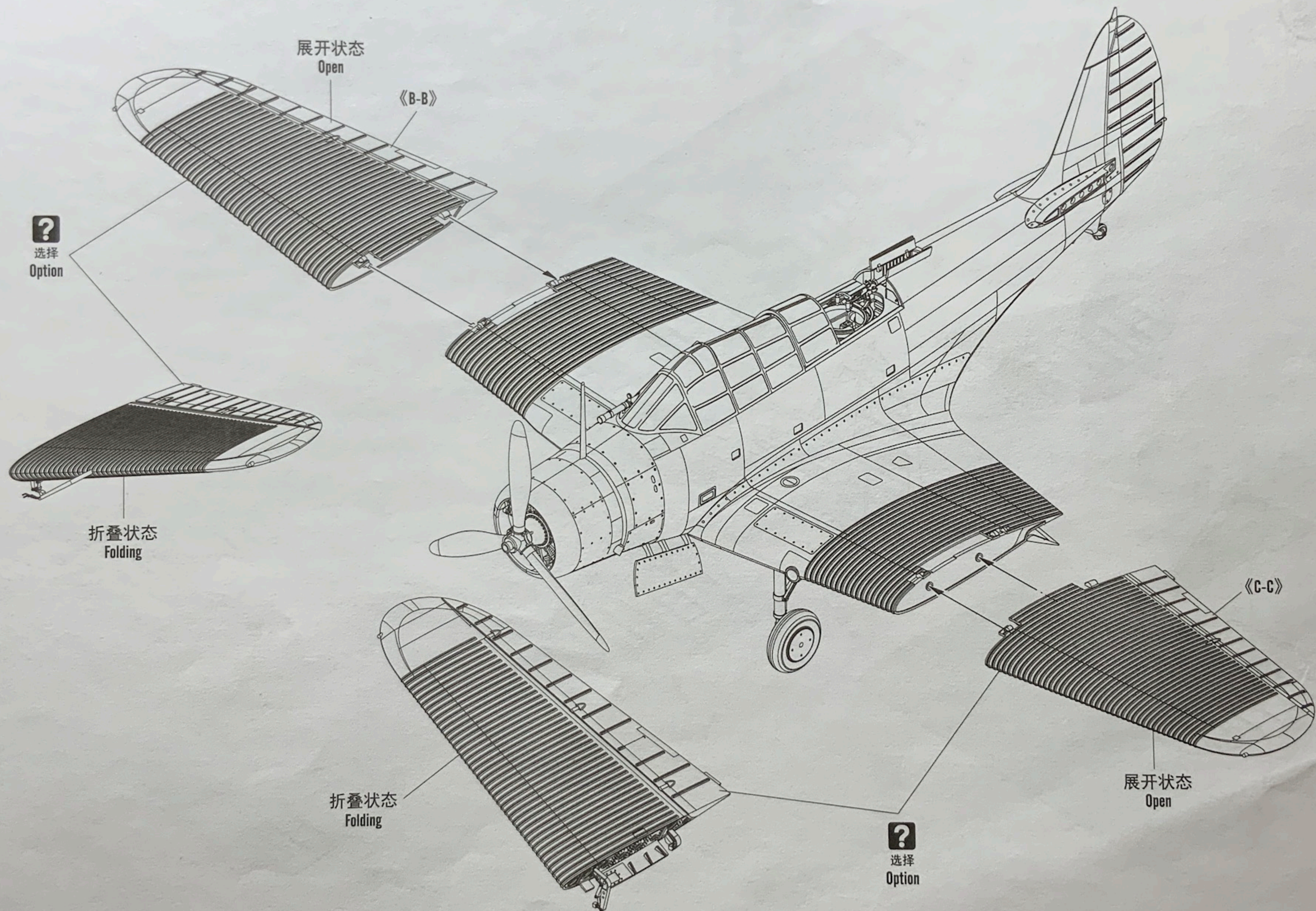
C25

折叠状态  
Folding

$\langle\langle C-C \rangle\rangle$

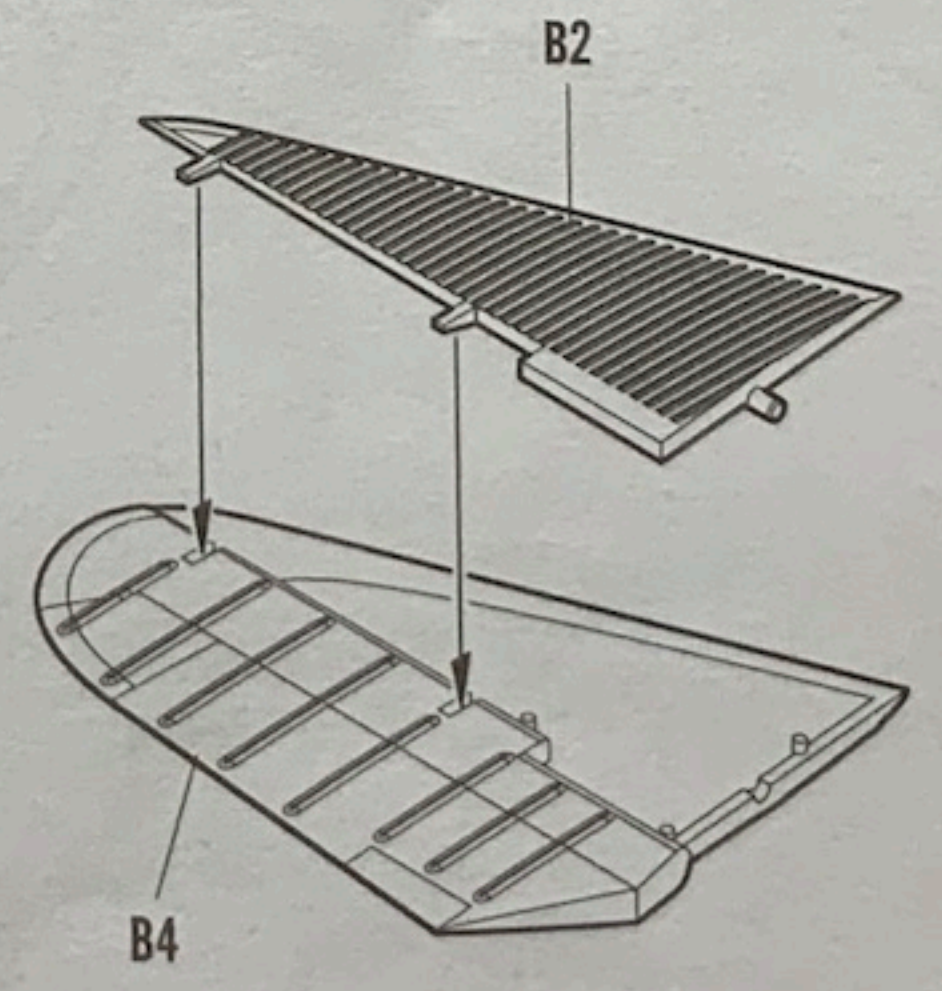
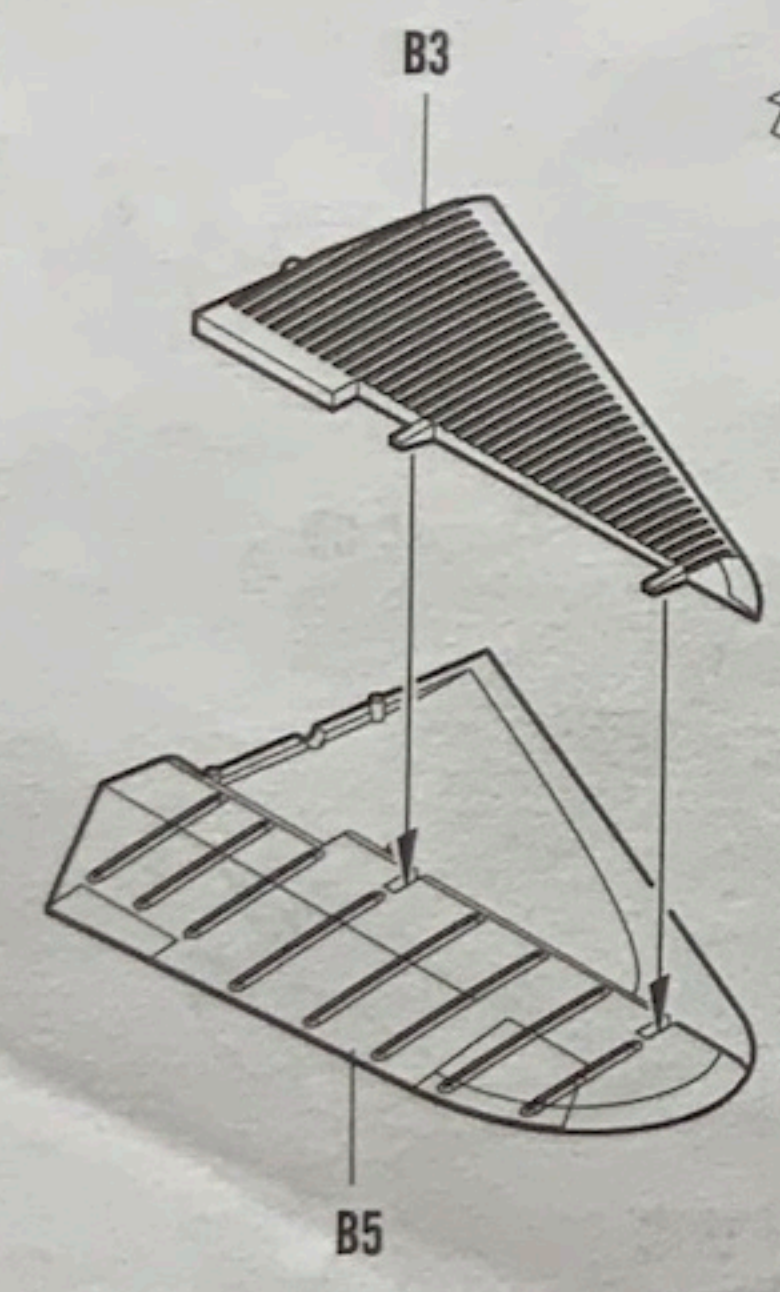
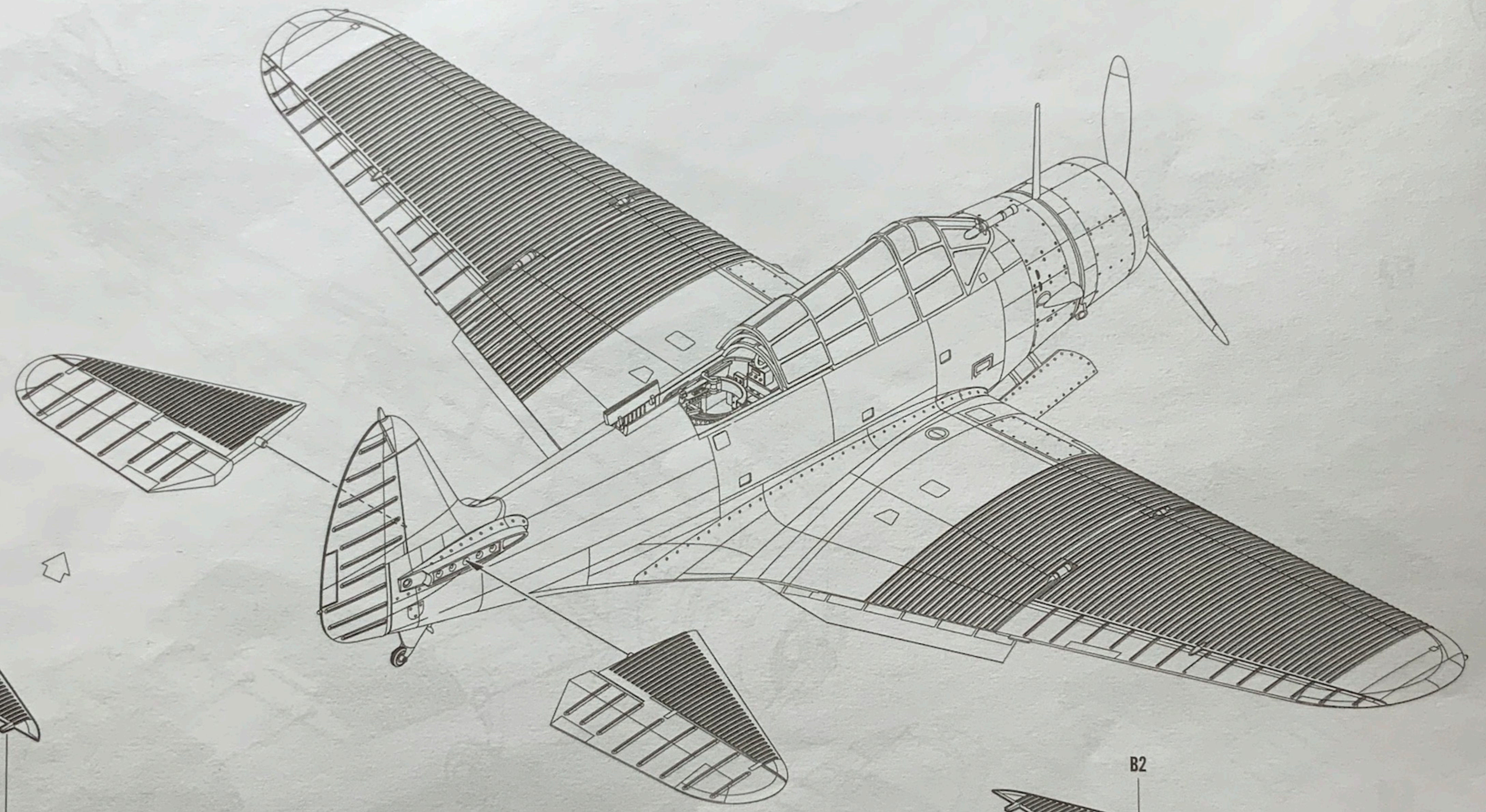
D5





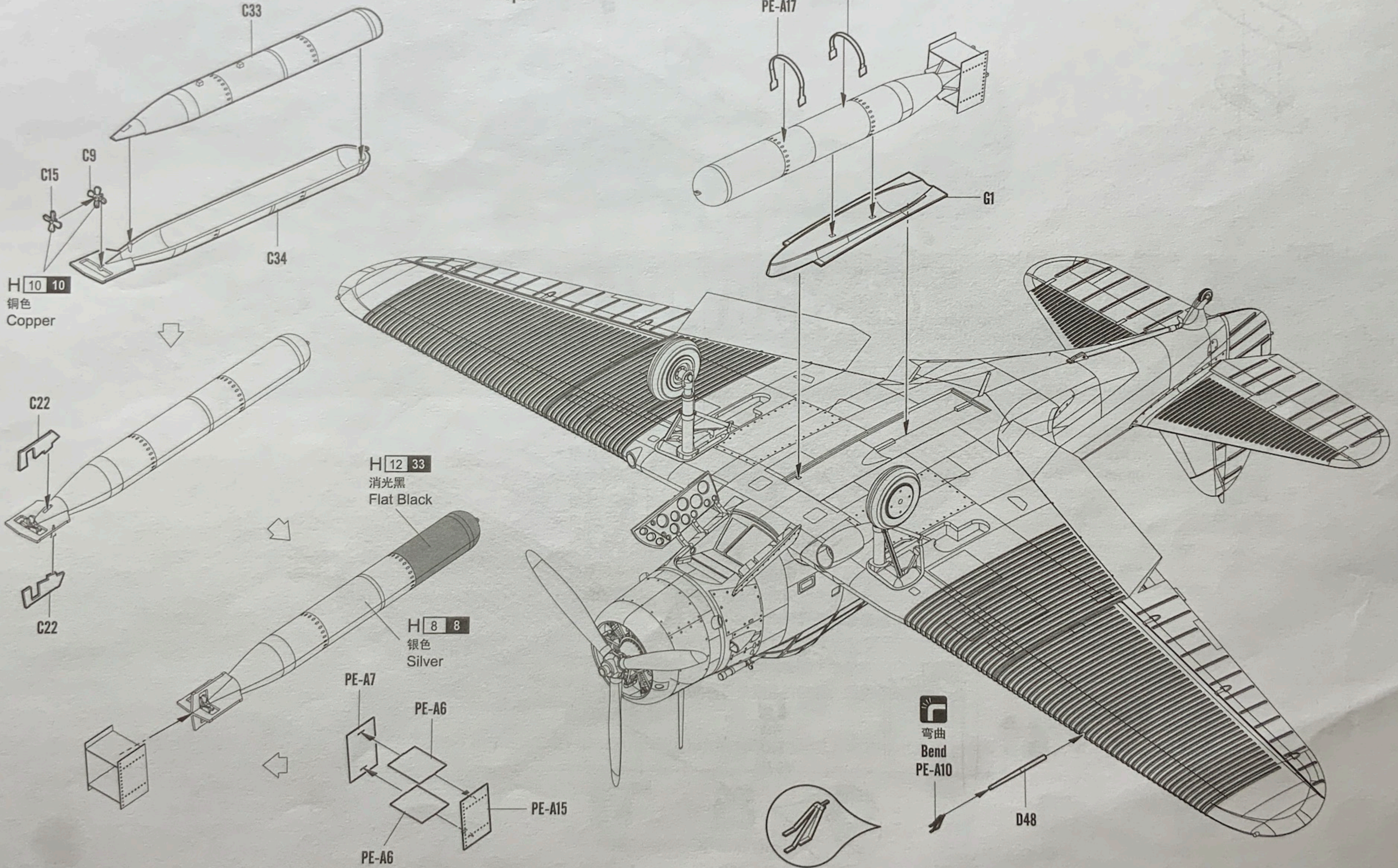


**13**  
STEP



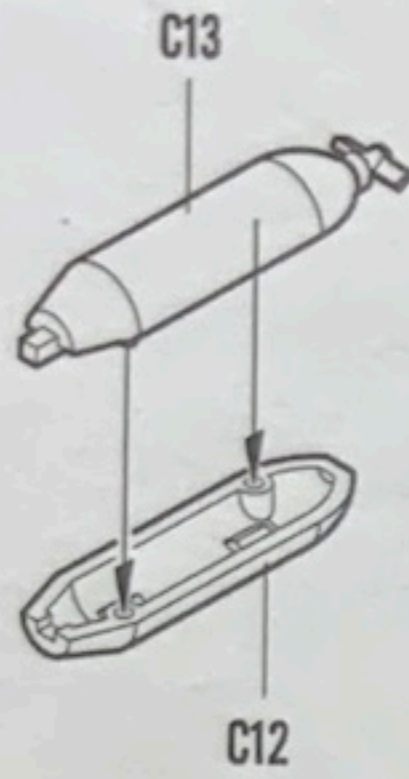


展开状态  
Open



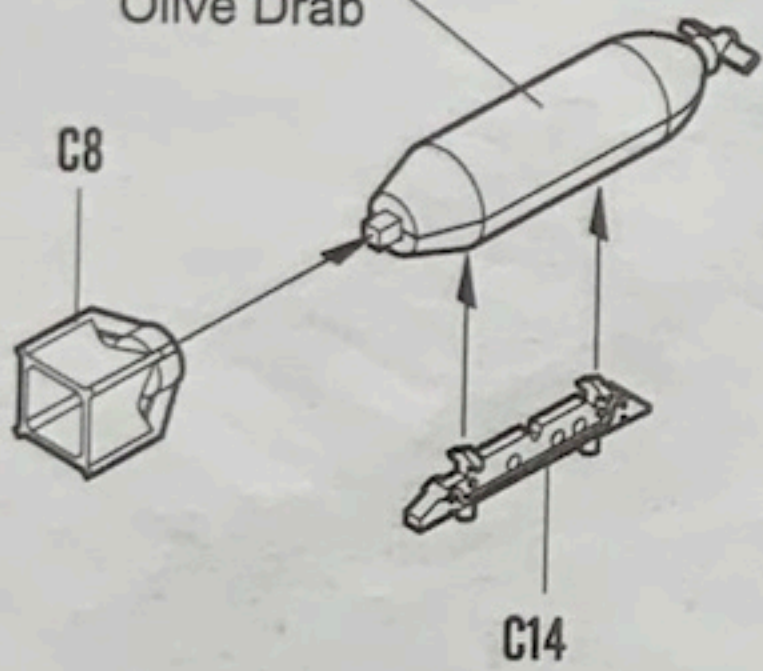


15  
STEP

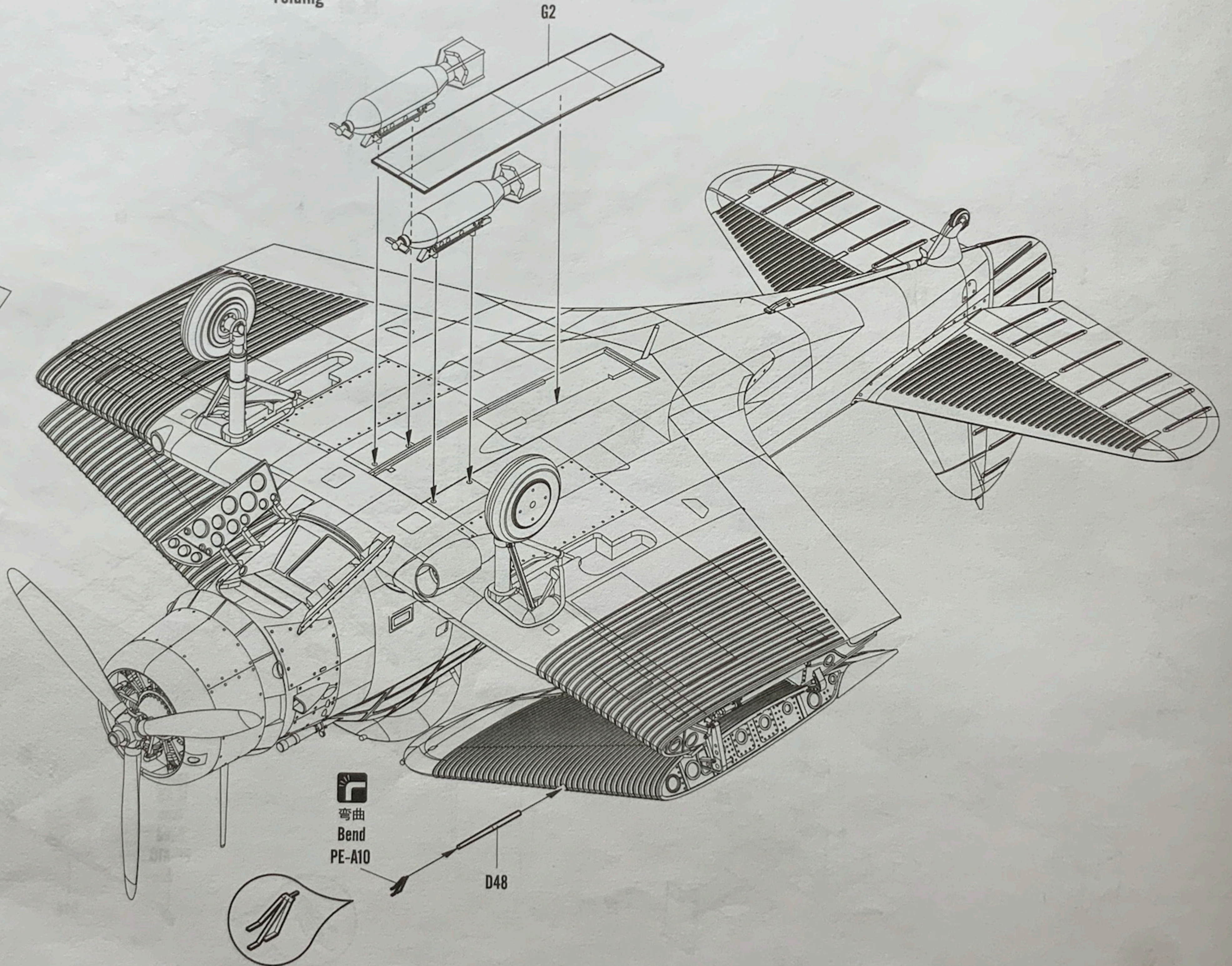


折叠状态  
Folding

H 304304  
橄榄色  
Olive Drab



制作2组  
Make two



弯曲  
Bend  
PE-A10

D48

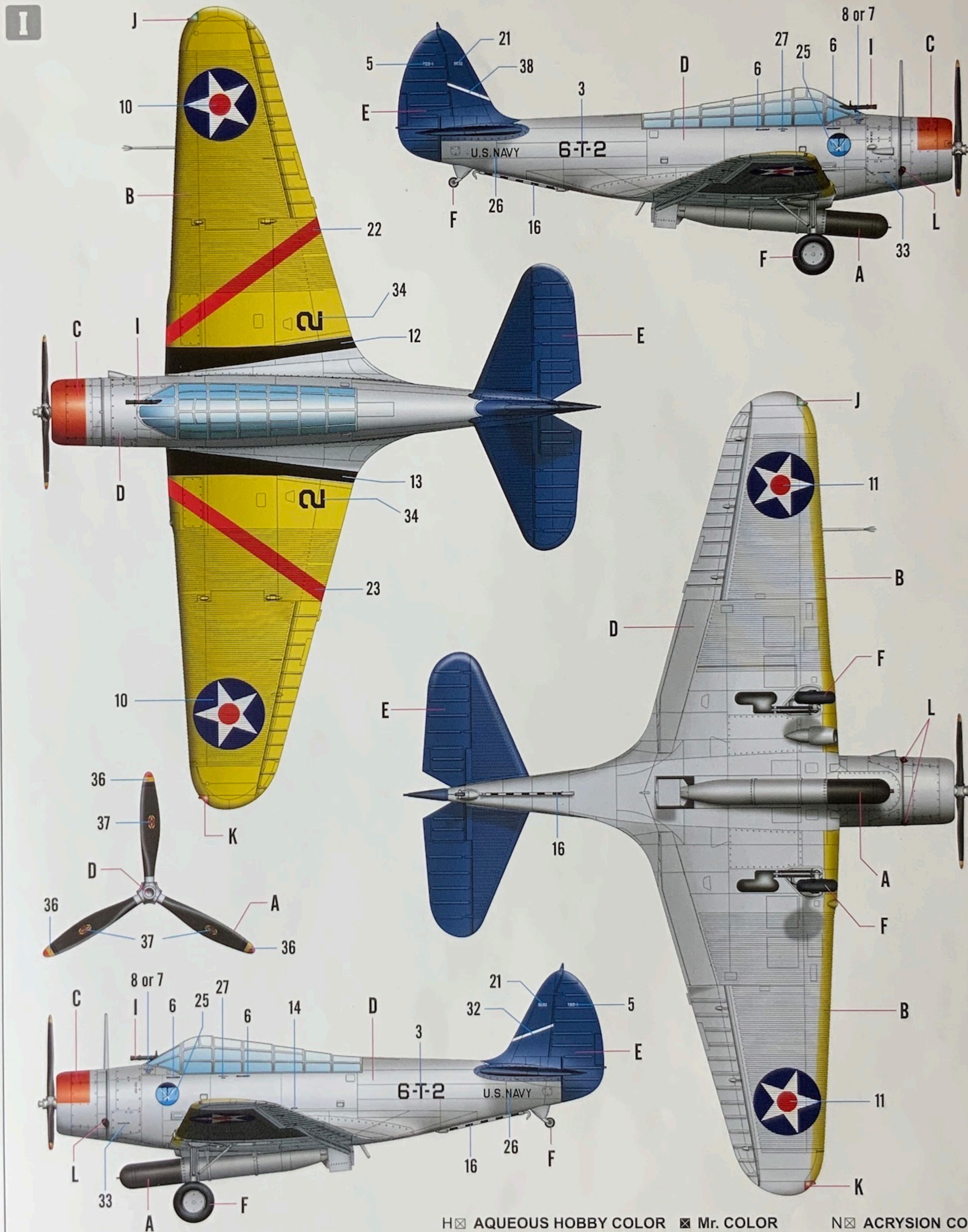


# 标贴与涂装

MARKING & PAINTING

# TBD-1 Devastator

TBD-1 デバステーター 美国TBD-1“蹂躏者”鱼雷攻击机



H  AQUEOUS HOBBY COLOR     Mr. COLOR    N  ACRYSION COLOR

Color	Mr.Hobby	Acrycion	Vallejo	Model Master	Tamiya	Humbrol	Color	Mr.Hobby	Acrycion	Vallejo	Model Master	Tamiya	Humbrol
<b>A</b> 消光黑 Flat Black	H <input type="checkbox"/> 12 <input type="checkbox"/> 33	N <input type="checkbox"/> 12	950	1749	XF1	33	<b>D</b> 银色 Silver	H <input type="checkbox"/> 8 <input type="checkbox"/> 8	N <input type="checkbox"/> 8	997	1546	X11	11
<b>B</b> 黄色 Red	H <input type="checkbox"/> 4 <input type="checkbox"/> 4	N <input type="checkbox"/> 4	953	1514	X8	69	<b>E</b> 蓝色 Blue	H <input type="checkbox"/> 5 <input type="checkbox"/> 5	N <input type="checkbox"/> 5	899	1772	X3	15
<b>C</b> 红色 Red	H <input type="checkbox"/> 3 <input type="checkbox"/> 3	N <input type="checkbox"/> 3	908	1503	X7	19	<b>F</b> 胎黑色 Tire Black	H <input type="checkbox"/> 77 <input type="checkbox"/> 137	N <input type="checkbox"/> 77	--	--	XF85	--

NO.:81783

※ Some paints may not be available in your country. Please check your local hobby shop for substitute



# 标贴与涂装

MARKING & PAINTING

# TBD-1 Devastator

TBD-1 デバステーター 美国TBD-1“蹂躏者”鱼雷攻击机



II



H  AQUEOUS HOBBY COLOR     Mr. COLOR    N  ACRYSION COLOR

Color	Mr.Hobby	Acrycion	Vallejo	Model Master	Tamiya	Humbrol	Color	Mr.Hobby	Acrycion	Vallejo	Model Master	Tamiya	Humbrol
G 浅灰色 Light Gray	H <input checked="" type="checkbox"/> 338 <input checked="" type="checkbox"/> 338	N <input checked="" type="checkbox"/> 338	907	1732	XF14	147	J 透明绿 Clear Green	H <input checked="" type="checkbox"/> 94	N <input checked="" type="checkbox"/> 94	936	--	X25	--
H 兰灰色 Blue Grey	H <input checked="" type="checkbox"/> 367	N <input checked="" type="checkbox"/>	--	--	--	--	K 透明红 Clear Red	H <input checked="" type="checkbox"/> 90 <input checked="" type="checkbox"/> 47	N <input checked="" type="checkbox"/> 90	934	--	X27	--
I 黑铁色 Steel	H <input checked="" type="checkbox"/> 18 <input checked="" type="checkbox"/> 28	N <input checked="" type="checkbox"/> 18	864	1402	XF84	--	L 烧铁色 Burnt Iron	H <input checked="" type="checkbox"/> 76 <input checked="" type="checkbox"/> 61	N <input checked="" type="checkbox"/> 76	863	1795	X10	53

NO.:81783

※ Some paints may not be available in your country. Please check your local hobby shop for substitute