

B. W. MODELS:

Trolley, Electrical Servicing 25 kVA

"Houchin"

The Trolley, Electrical Servicing, 25kVA or "Houchin", provides electrical power to aircraft on the ground, for all loads greater than the aircraft's internal battery can cope with. There were originally three variants, Petrol/Electric, Diesel/Electric and Electric/Electric. The Petrol and Diesel versions were externally similar, only the colour of the fuel filler cap denoting the difference Petrol - red, Diesel - yellow. The Electric/Electric version was normally only used inside hangers. The "Houchin" has been in service over 30 years and has been used with the following aircraft types, among others :- Lightning, Phantom, Jaguar and Sea King.

GENERAL NOTES.

Please read all the instructions carefully before commencing assembly. Remove any flash and sprue marks from the pieces before starting. The model can be assembled using either superglue or 5 minute epoxy adhesive. The kit contains 14 pieces. Below is a suggested sequence for assembly.

ASSEMBLY INSTRUCTIONS.

- 1). Fit the body end plate into position.
- 2). Fit the wheels to the axles.
- 3). Fit the fuel tank and protection plate into position under the body at the same end as the filler cap. Note that if an Electric/Electric version is being built the fuel tank unit is omitted.
- 4). Fit the chassis side rails into position along the underside of the body. The front of the rails being level with the front of the body.
- 5). Fit the axle units into place, ensuring that the unit sits squarely on all 4 wheels.
- 6). If building a petrol or diesel version, fit the exhaust into place under the side pannier. There is a location strip provided.
- 7). Fit the tow bar into place at the front of the unit. It locates against the front of the chassis rails.
- 8). Fit the fire extinguisher vertically to one of the forward vertical panels.

PARTS LIST.

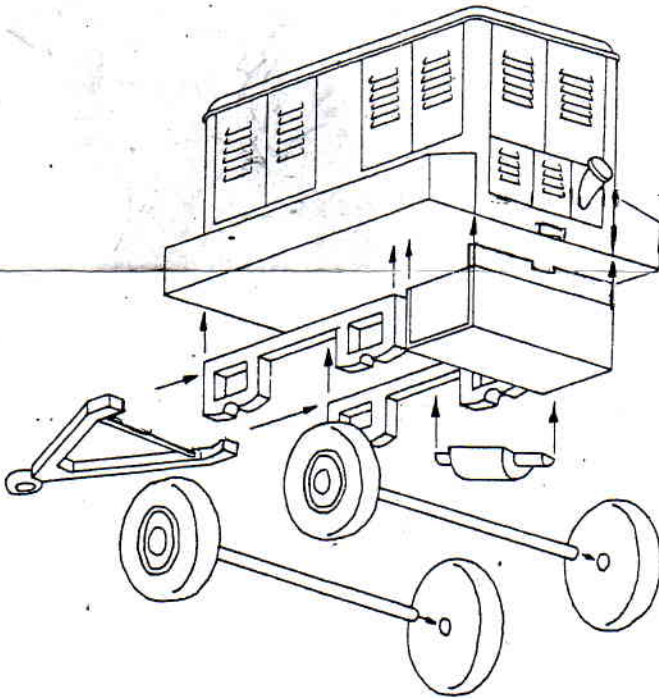
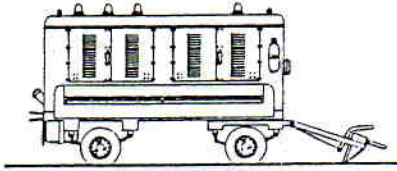
Main body.	Wheel x 4.	Body front wall.	Axle unit x 2.
Axle rail x 2.	Exhaust.	Fire extinguisher.	Towing frame.
Fuel tank.			

PAINTING GUIDE.

Unit normally painted IRR green with or without horizontal yellow stripes along cable stowage panniers.

4 roof lights are (starting from either end), red, white, white, red.

Trolley, Electrical Servicing, 25kVA, "Houchin"



It is hoped you enjoyed building this kit. It is one of an ever increasing range.
If you have any complaint, comments or suggestions for future kits, please contact the address below.

If you require an up to date price list, send a Stamped Self Addressed Envelope to:-

**B. W. MODELS, Hillcrest, Kirk Brae, Cuminestown,
Turriff, Aberdeenshire AB53 5YZ**