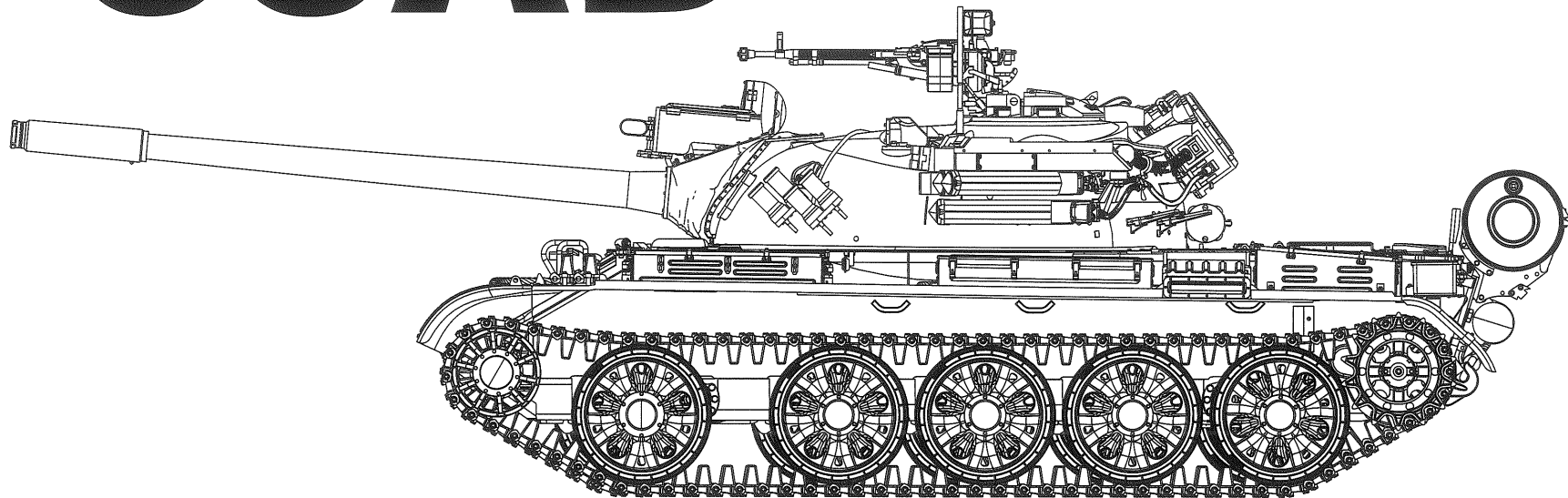


# T-55AD "Drozd"



The ubiquitous T-54 & T-55 series is the most produced tank type in history, with an estimated 100,000 units having been produced in Russia, Czechoslovakia, Poland, and China. These tanks have been evolving since their inception at the end of WWII, continuously incorporating improved weapons, powerpacks, and protection, and they continue to be rebuilt and refurbished with local upgrades even today. They have also formed the basis of many other AFV's, such as ARV's, APC's and AVLB's, and still serve in large numbers today with as many as 50 nations.

Designed as an alternative to passive or reactive armor defense systems for protection against anti-tank rockets and weapons, the Tula Machine Design Bureau developed the world's first active tank defense system, called the KAZT Drozd (Kompleks aktivnoi zashchity tanka). Development of the Drozd began in 1977 as an army requirement and the first prototypes were ready for evaluation by 1978. The Soviet Army eventually lost interest in the Drozd concept, but the program continued thanks to support from the Soviet Naval Infantry.

The Soviet Naval Infantry was struggling to replace its T-55 tanks because later types such as the T-62 and T-72 were too big and heavy to be transported by the standard navy amphibious ships and landing craft. Limited production of the Drozd lasted from 1981 to 1982, resulting in less than 300 tanks fitted with the system, which was first fitted to T-55M or T-55AM tanks and re-designated T-55AD. When Drozd was fitted to the upgraded T-55M1 or T-55 AM1 tanks with the improved V-46 diesel engine, the designation became T-55AD1.

The Drozd system consists of two launcher arrays on either side of the turret and an auxiliary power unit on the rear of the turret. Each launcher array contains four launch tubes with a Doppler radar sensor array mounted above the tubes. The auxiliary power unit provides power to the system and can surge up to a maximum of 800 watts for short periods of time. The radar is gated to acquire targets moving at speeds between 70 to 700 meters per second. Once an incoming slow-moving projectile is acquired, the Drozd's analog computer determines which of the eight KAZ projectiles to launch. The radar system determines the range of the incoming missile or rocket, and the computer automatically calculates when to fire the KAZ projectile, which is launched to intercept the incoming projectile at a range of 2.7 to 7 meters from the tank.

The 107mm KAZ projectile weighs 9 kilograms and is rocket boosted out of the launch tube with an initial velocity of 190 meters per second. The high explosive warhead has a pre-fragmented steel casing, which upon detonation breaks up into 3 gram slugs travelling at 1,600 meters per second. launcher arrays are configured to cover 80 degrees in azimuth, and -6 to +20 degrees in elevation. The Drozd system includes a rearward pointing light system for warning nearby friendly units when firing.

When Kontakt-1 reactive armour became available in the late 1980's, the Soviet Naval Infantry began to use T-55 tanks fitted with the more practical and less expensive reactive armor. Nevertheless, small numbers of the Drozd system were exported to several Western European countries, China, and to an undisclosed Middle Eastern country.

03.02.2166

# READ BEFORE ASSEMBLY

## CAUTION

- Read carefully and fully understand the instructions before commencing assembly. A supervising adult should also read the instructions if a child assembles the model.
- When assembling this kit, tools including knives used. Extra care should be taken to avoid personal injury.
- Keep out of reach of small children. Children must not be allowed to suck any part, or pull vinyl bag over their heads.



Be Careful



Remove



Drill



Optional



Instant Glue for Metal

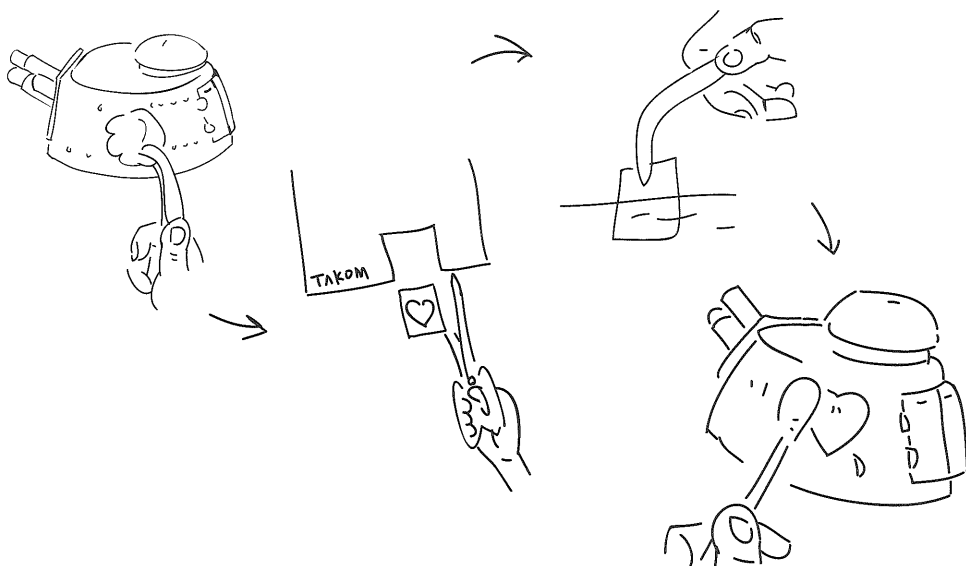
## PAINTS REQUIRED

Color info and profiles by Mig Jimenez

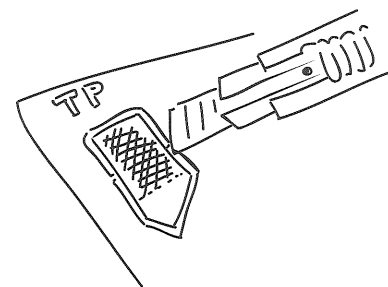
|                                   |                                    |                               |                     |
|-----------------------------------|------------------------------------|-------------------------------|---------------------|
| A.MIG-0033 Rubber & Tires         | A.MIG-0034 Rust Tracks             | A.MIG-0035 Dark Tracks        | A.MIG-0036 Old Wood |
| A.MIG-0037 New Wood               | A.MIG-0038 Gun Metal               | A.MIG-0039 Light Green        | A.MIG-0040 Grey     |
| A.MIG-0039 Crystal Periscope Blue | A.MIG-0041 Crystal Periscope Green | A.MIG-0042 Russian Green Base |                     |

## APPLYING DECALS

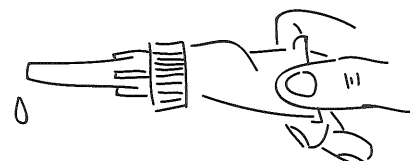
1. Clean the model surface with a wet cloth.
2. Cut out each decal design from sheet, and dip it in tepid water for 15~20 sec.
3. Hold the backing sheet edge and slide decal onto the model.
4. Move decal into position by wetting decal with finger.
5. Press decal gently down with a soft cloth until excess water and air bubbles are gone.



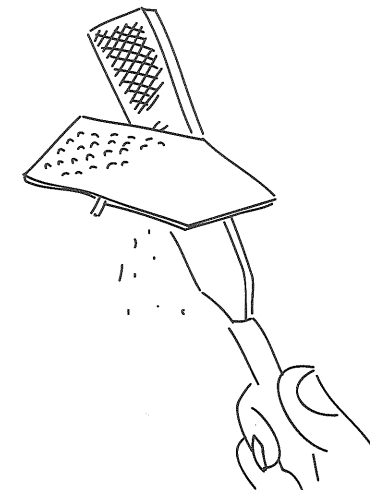
## REMOVING PE



Be careful not to hurt when removing PE parts.

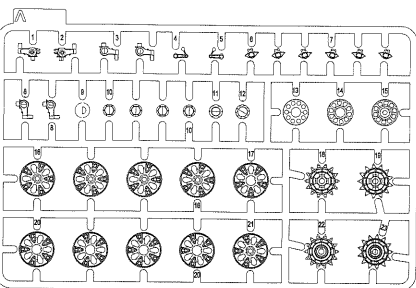


Secure using instant glue (not included).

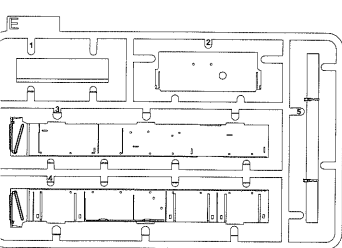
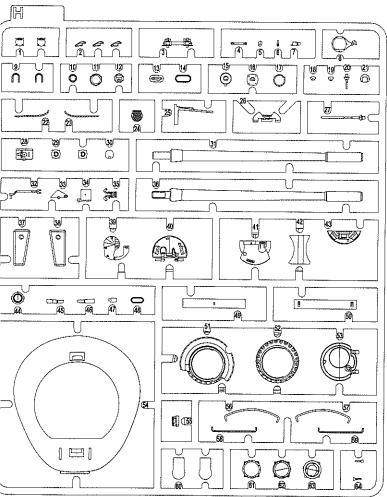


Finish using file.

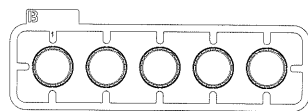
# PARTS



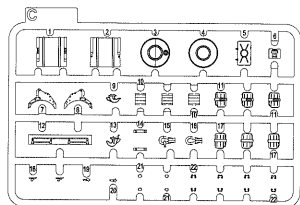
X2



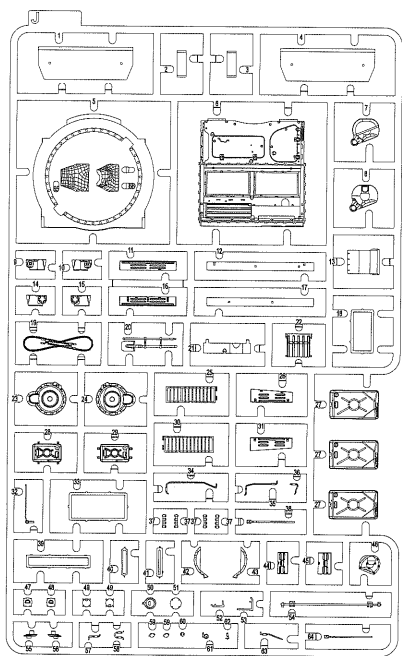
Cable



X4



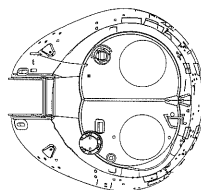
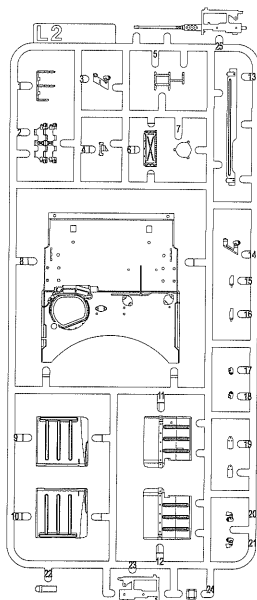
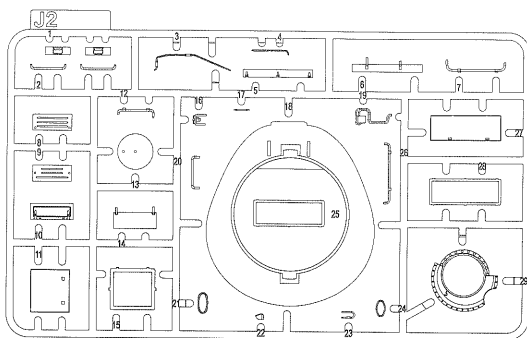
X2



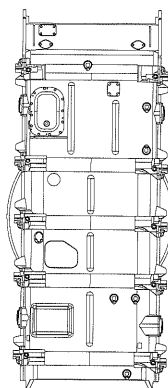
Line



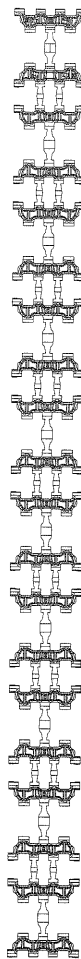
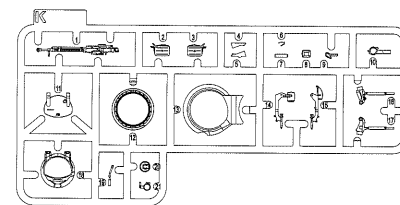
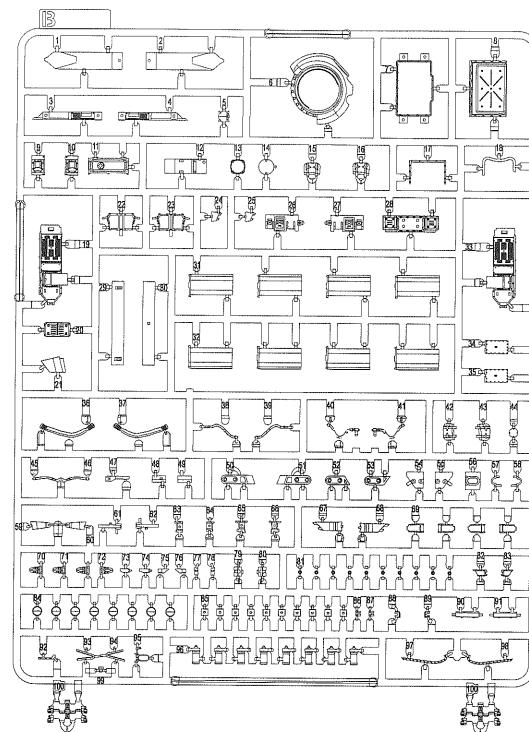
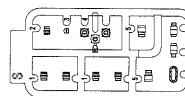
Dust Cover



Turret



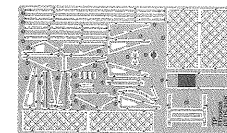
Lower Hull



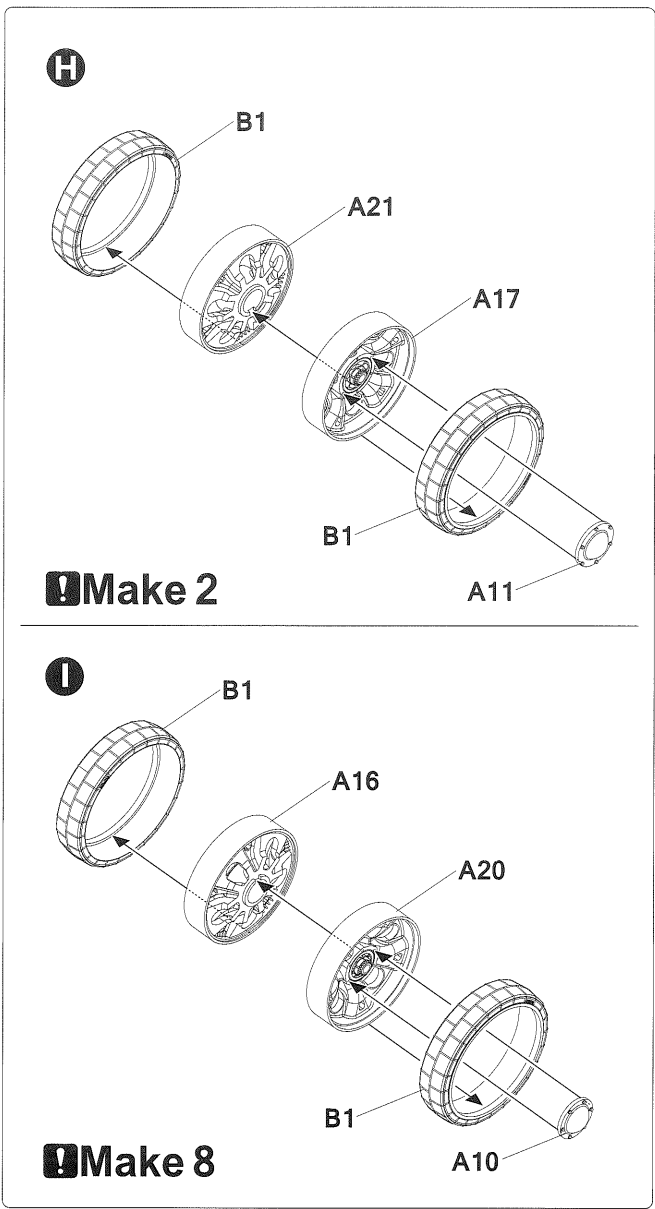
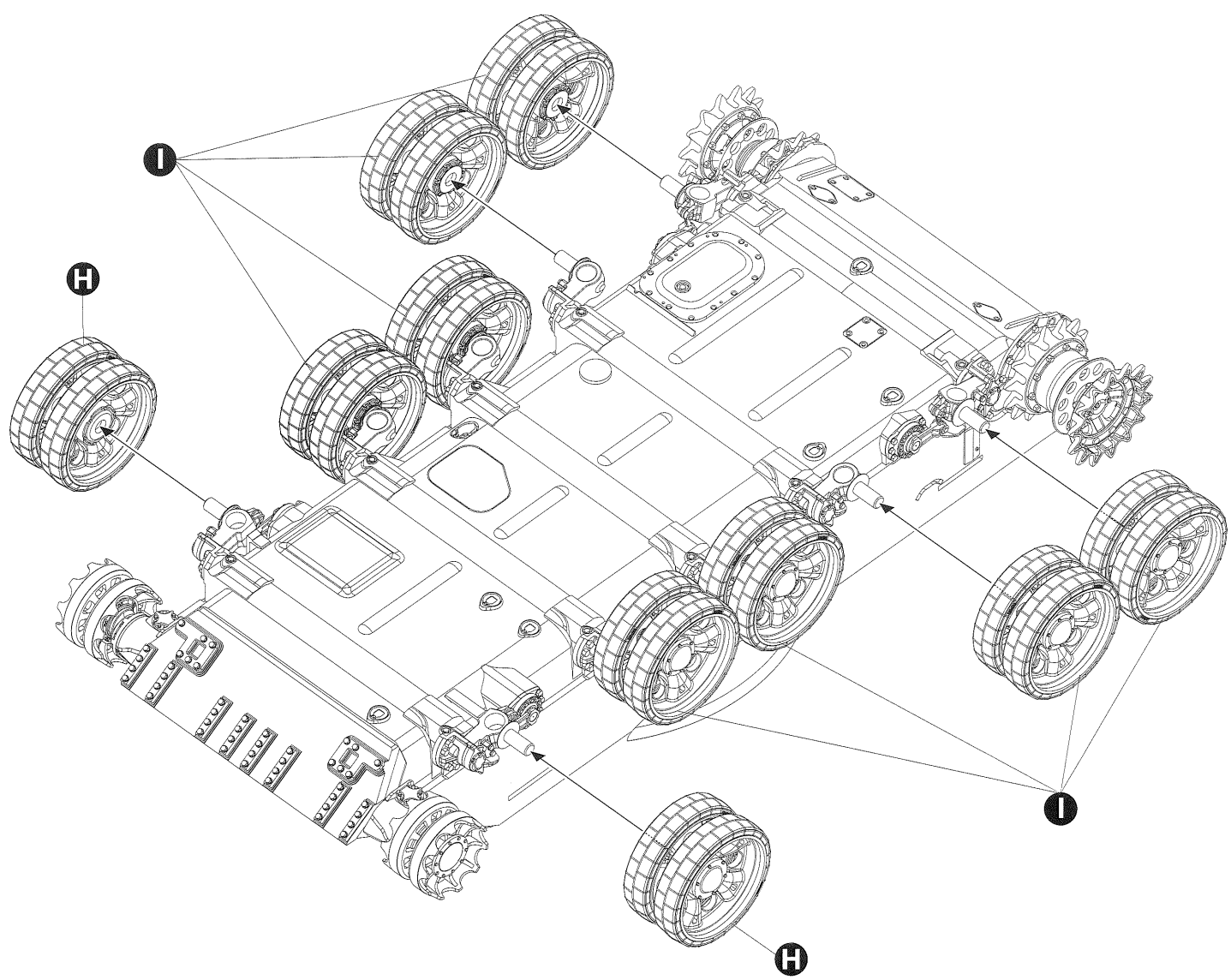
X10



Decal

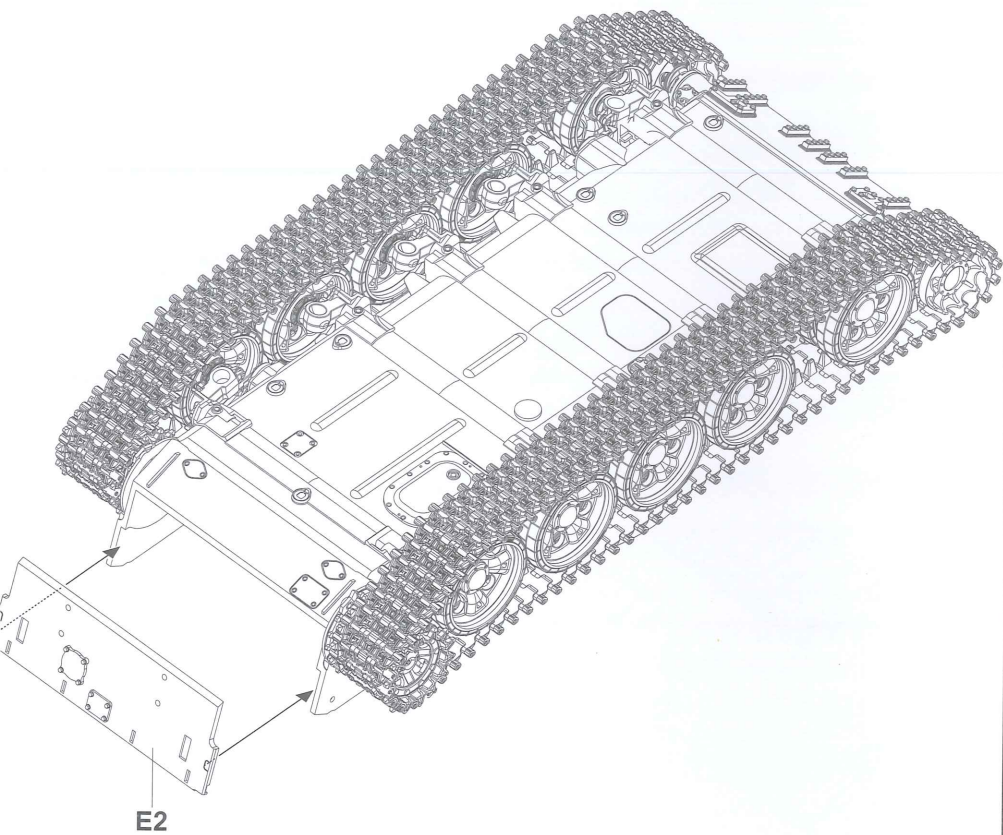
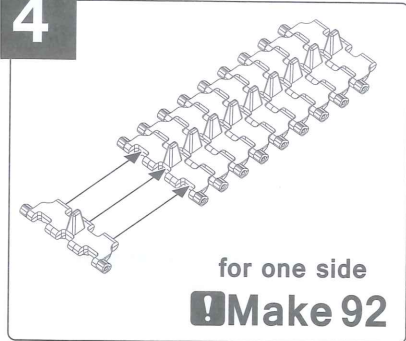


TP

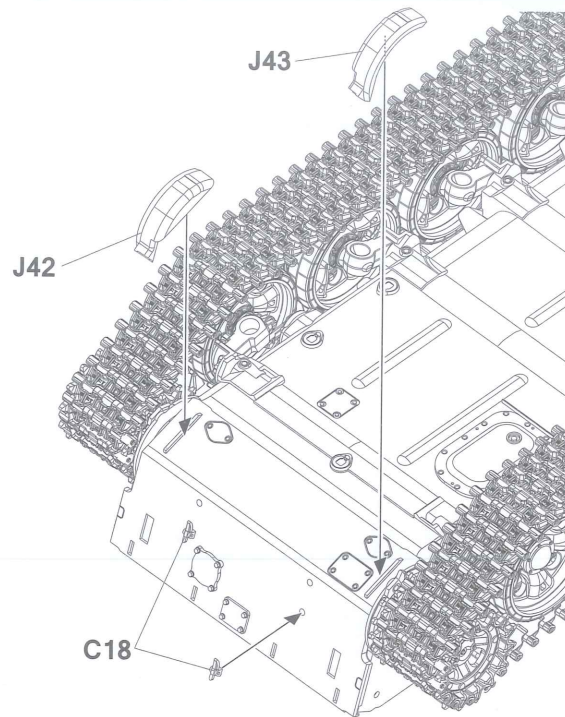




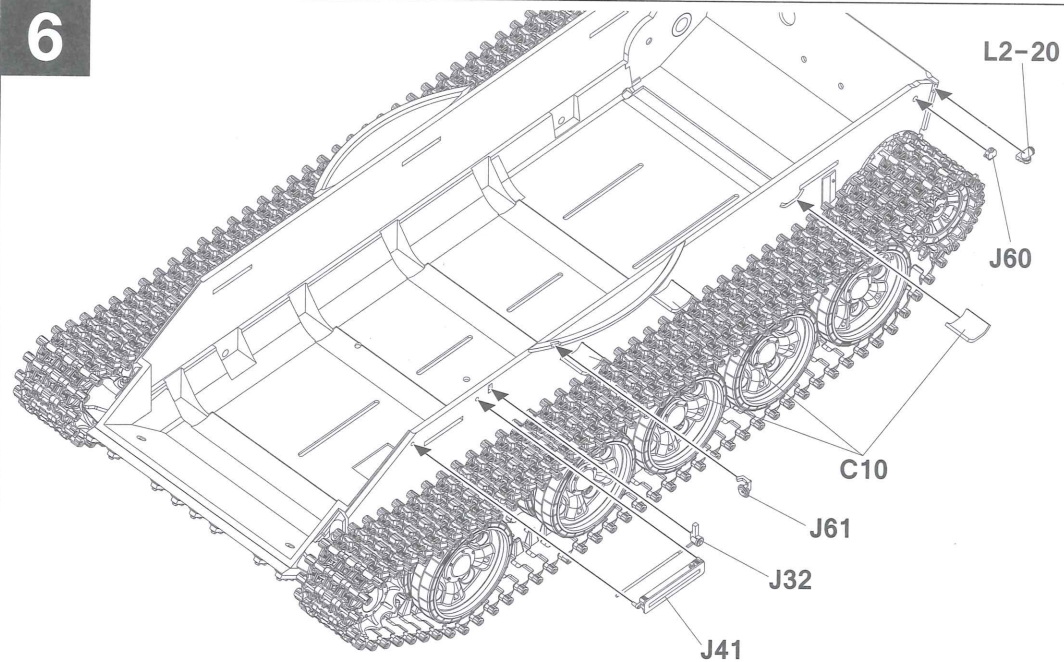
4



5

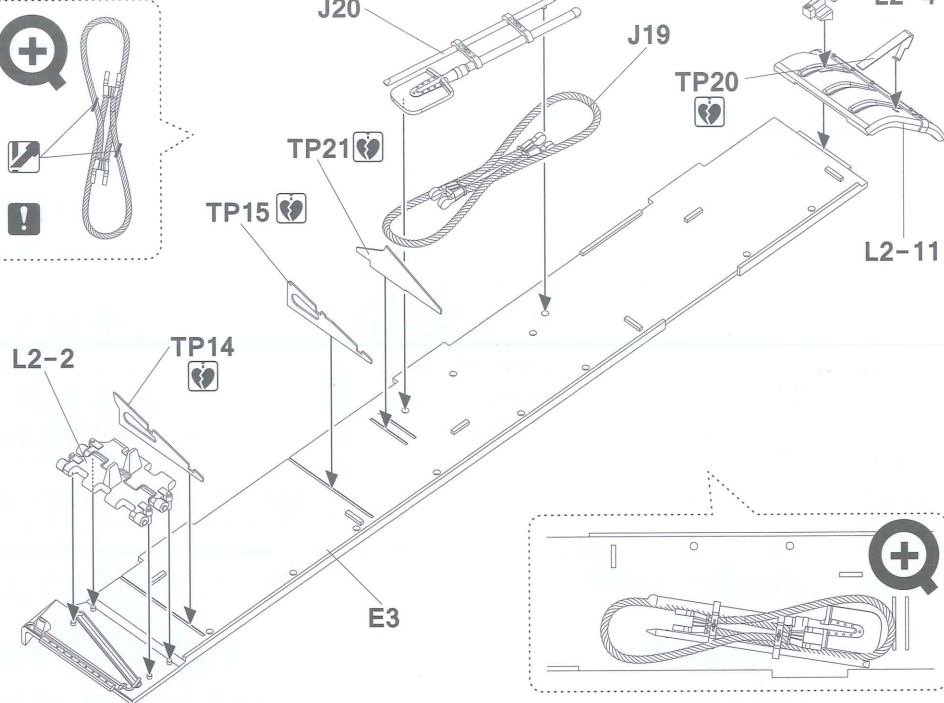
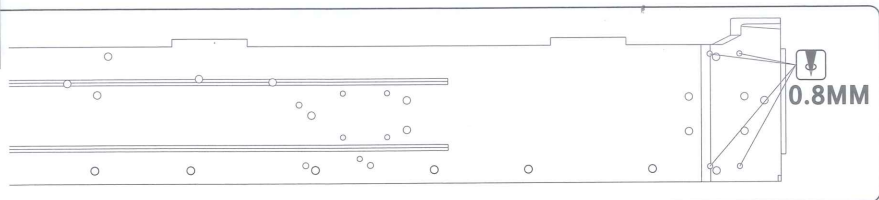


6

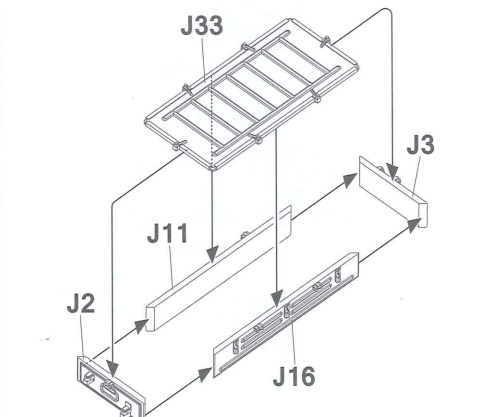
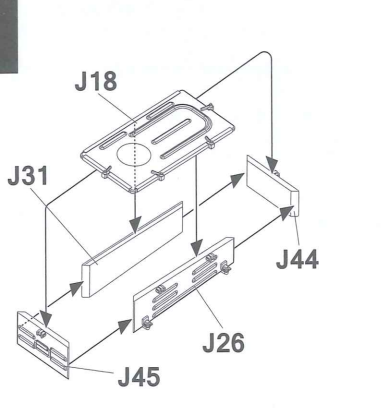


6

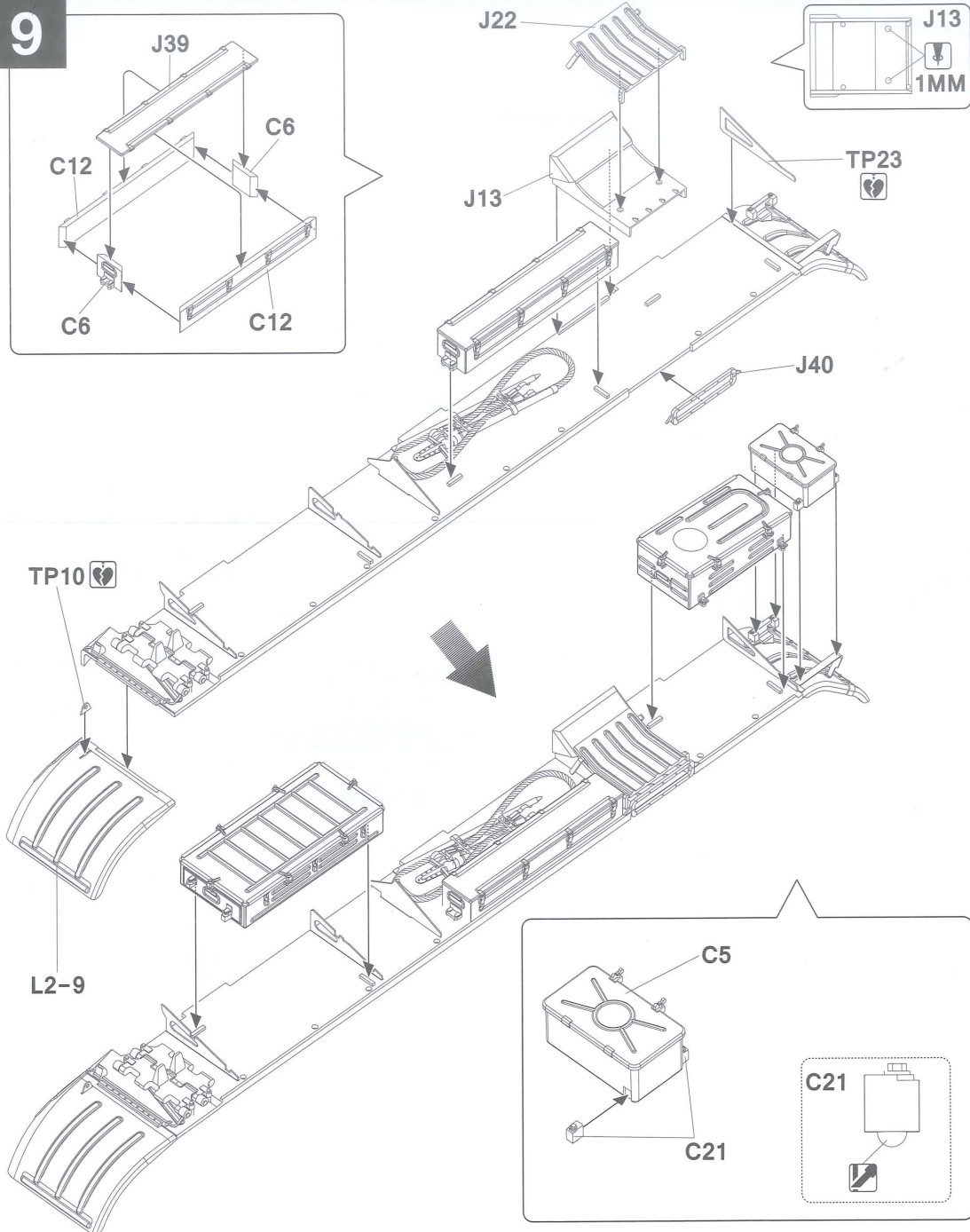
7



8



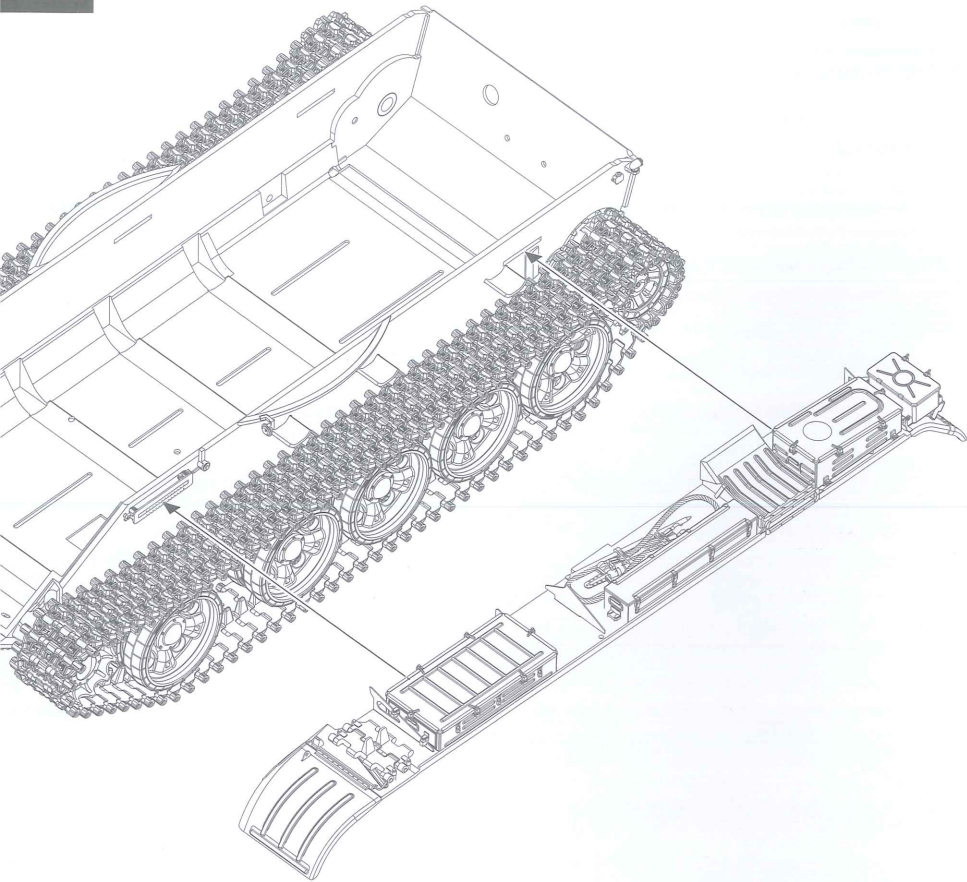
9



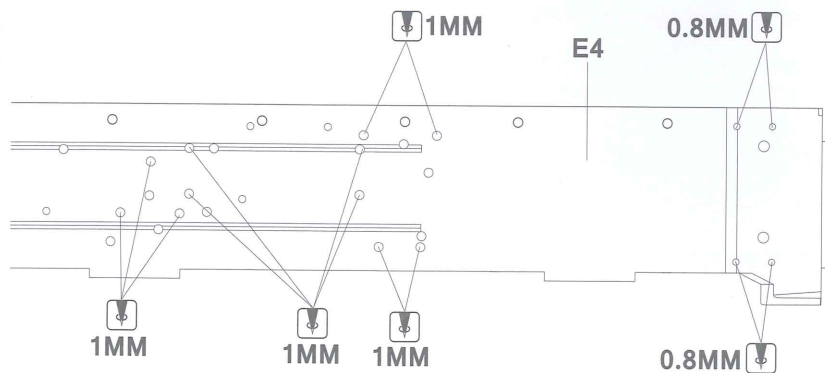
7



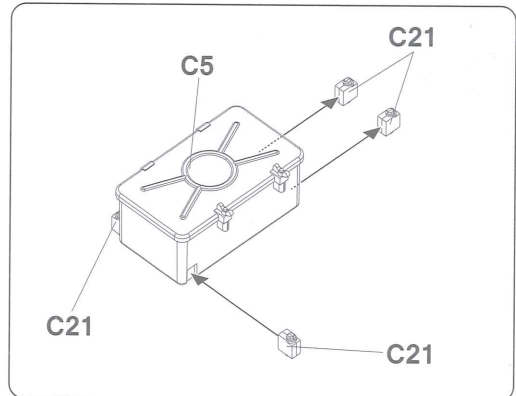
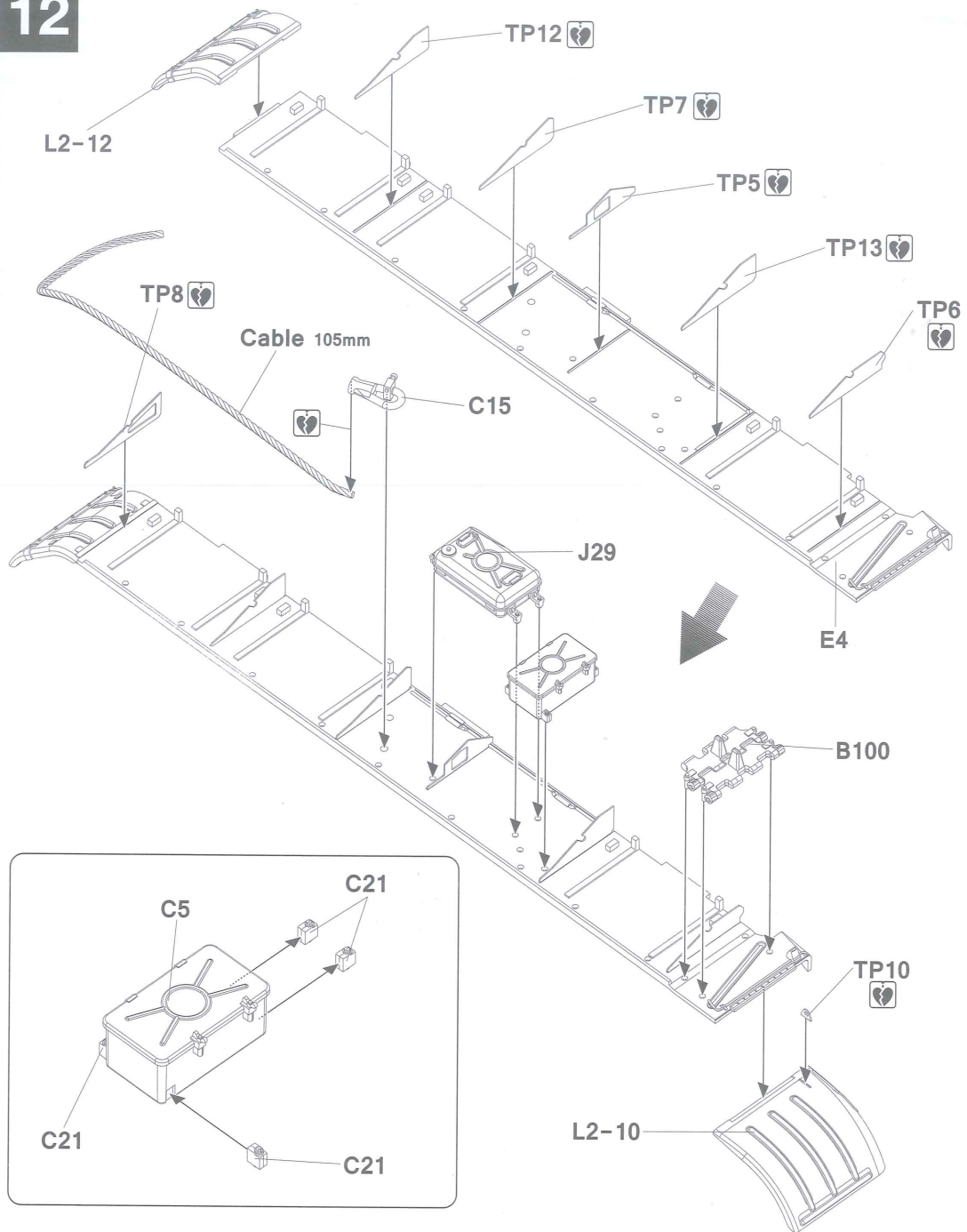
10



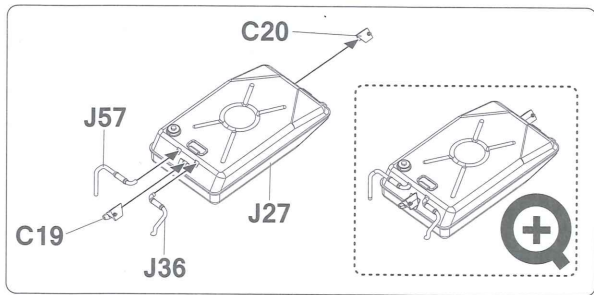
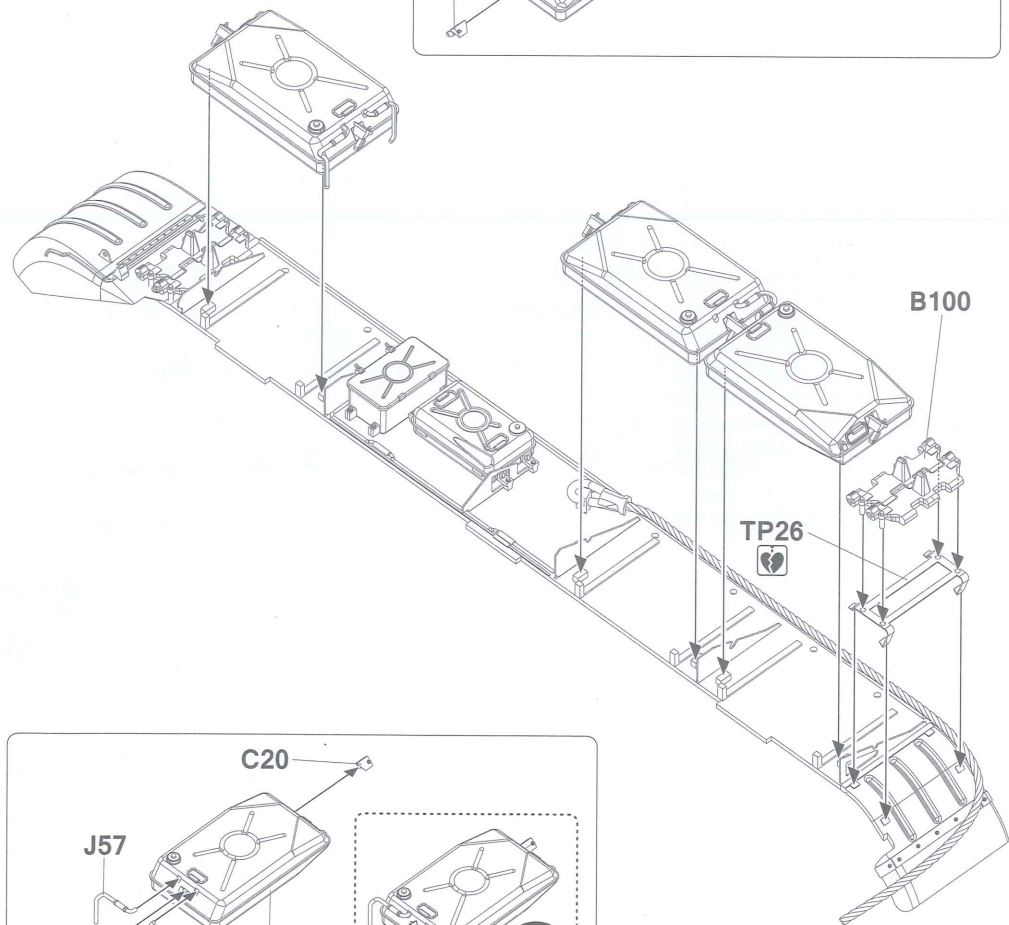
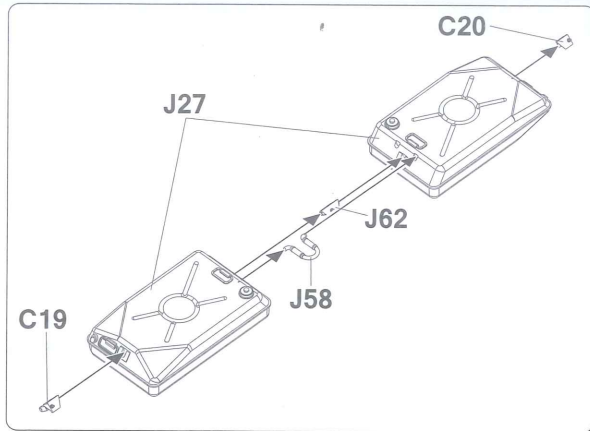
11



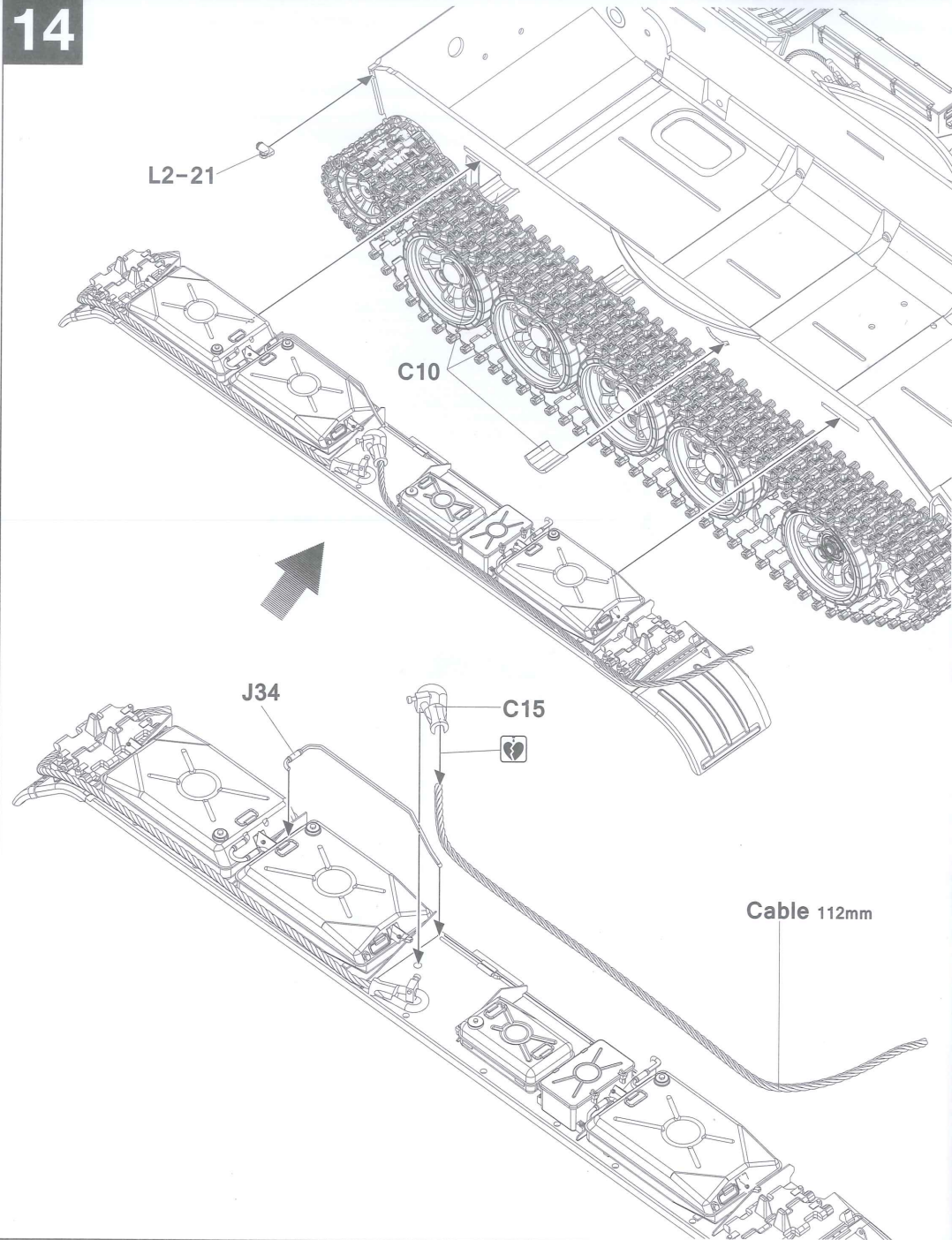
12



13

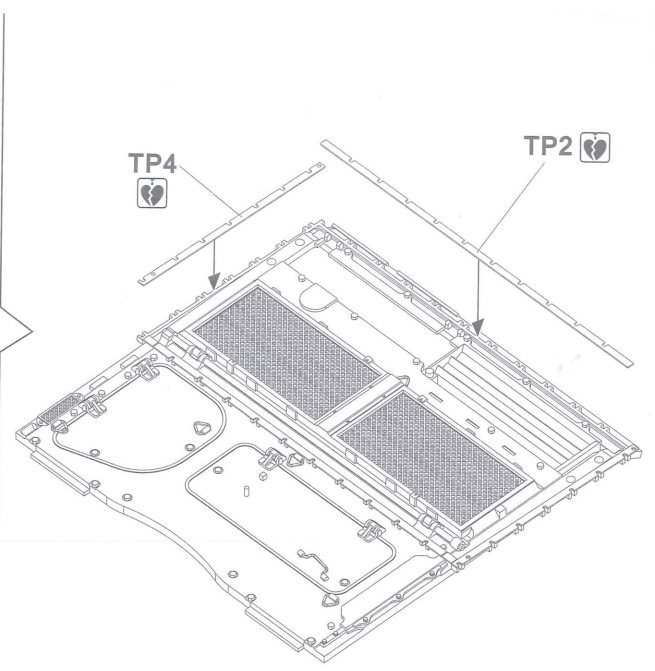
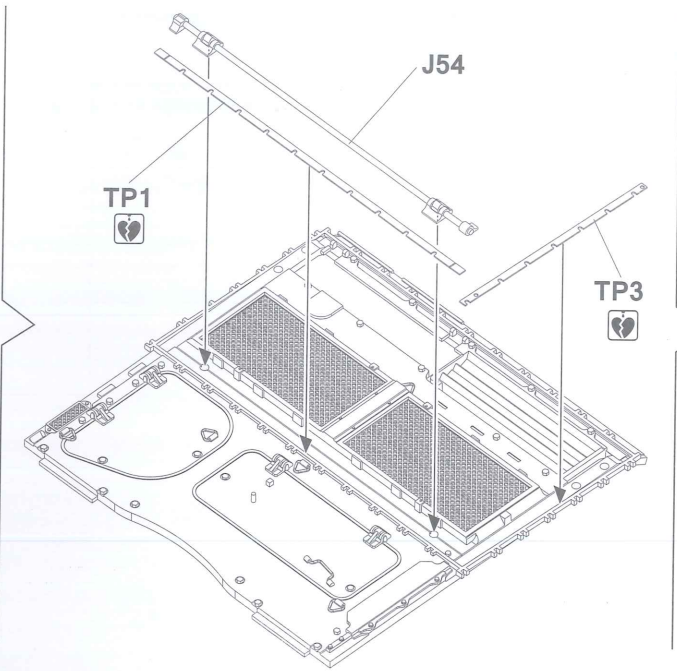
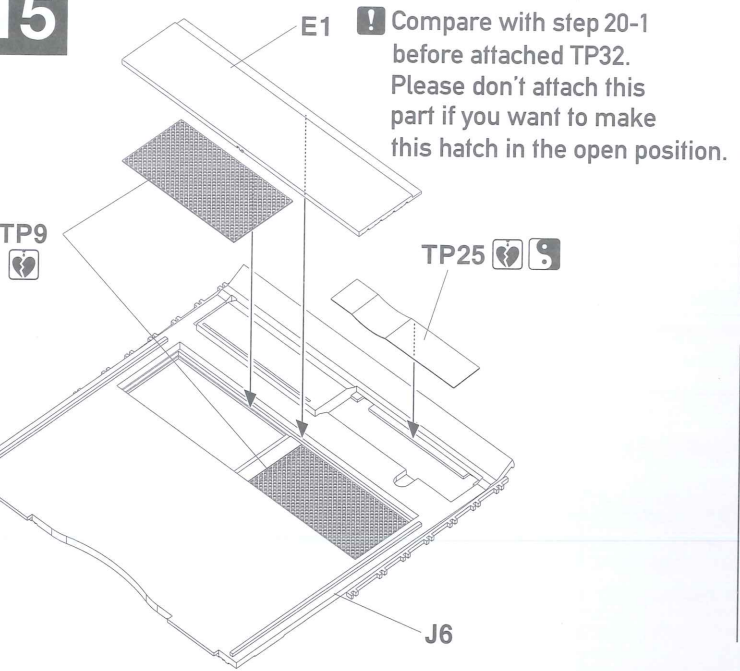


14

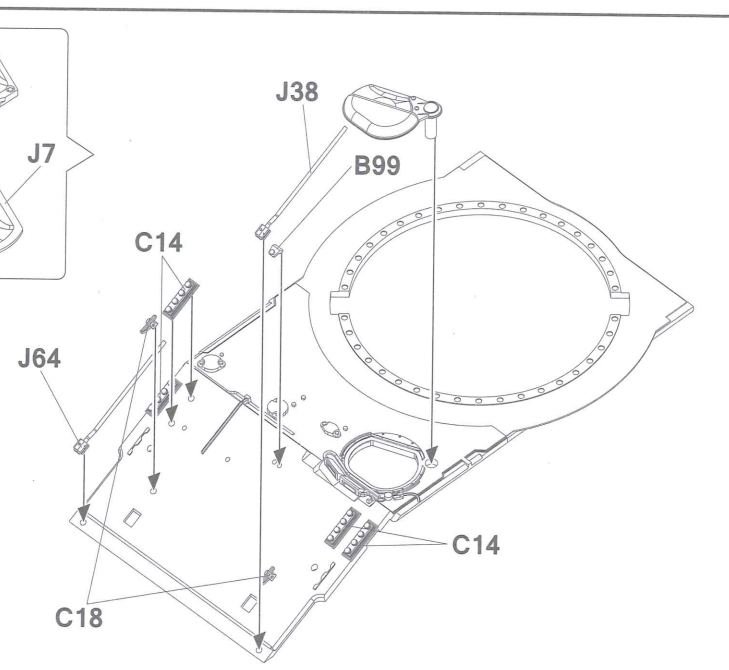
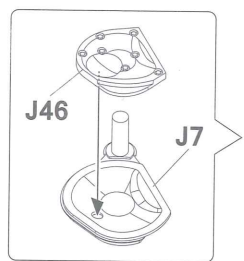
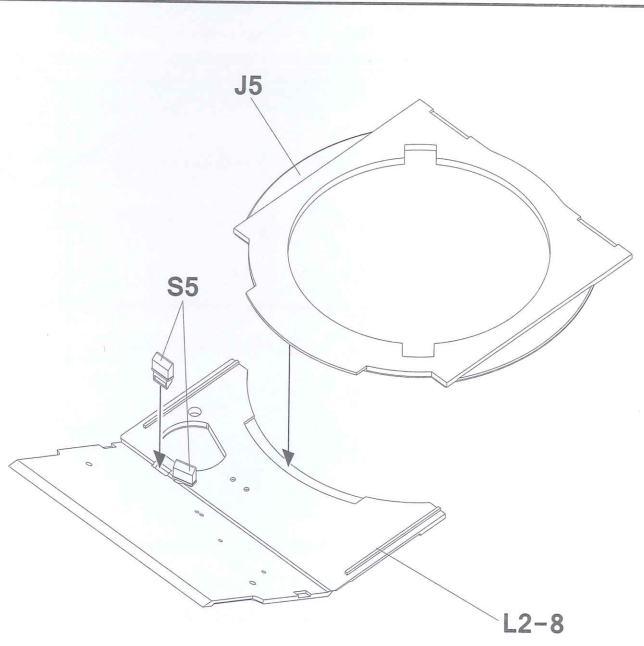
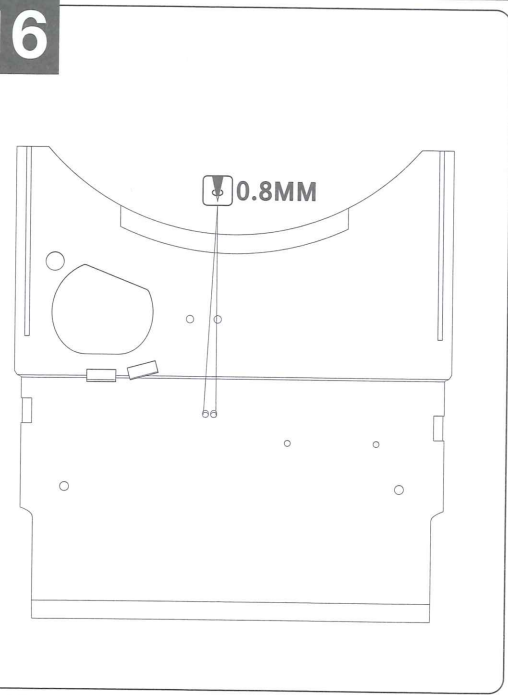




15

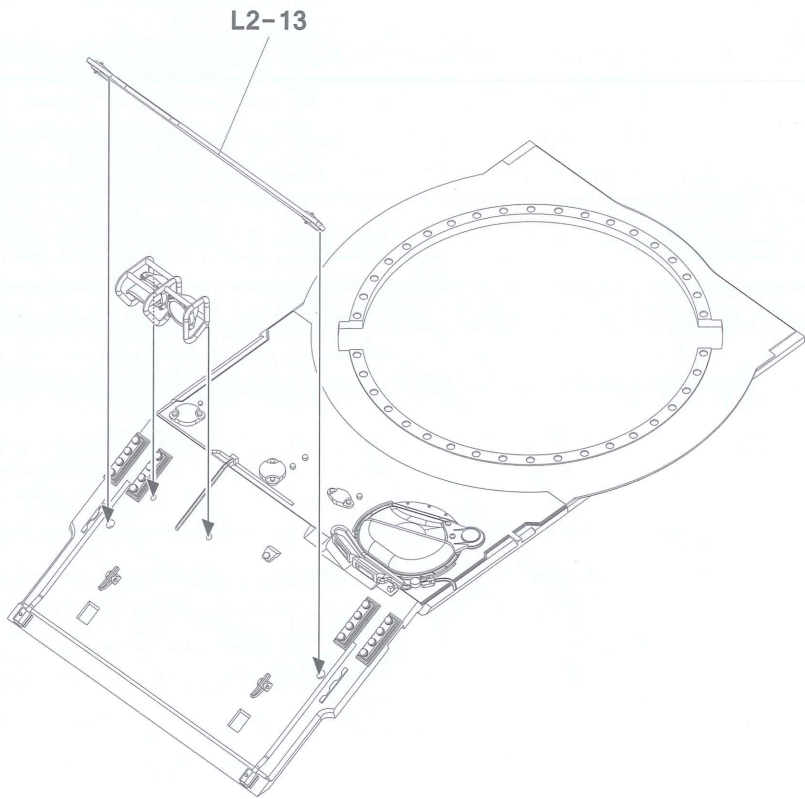
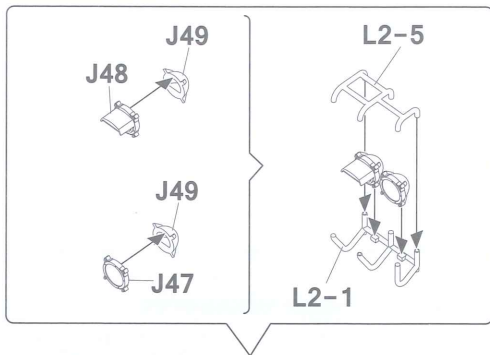


16

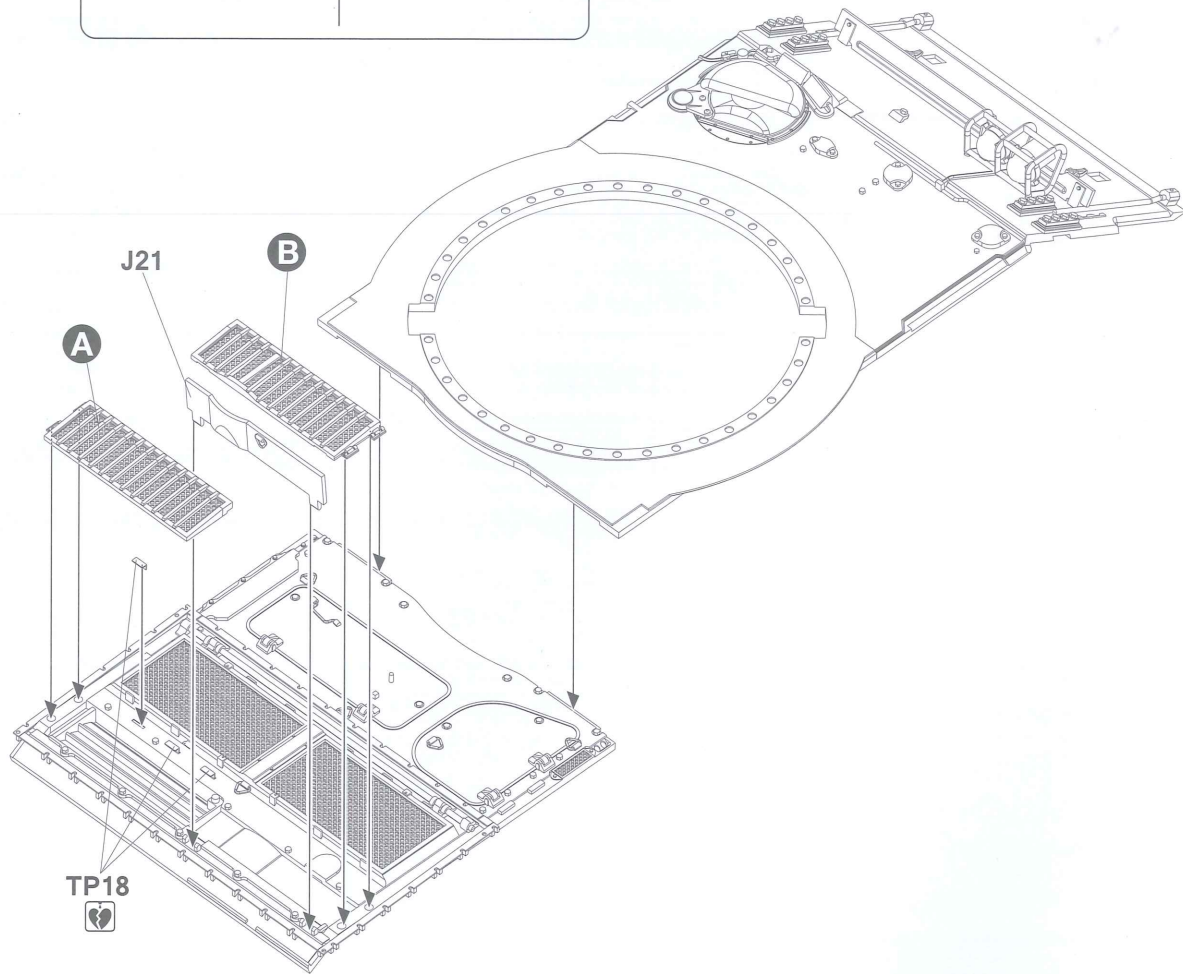
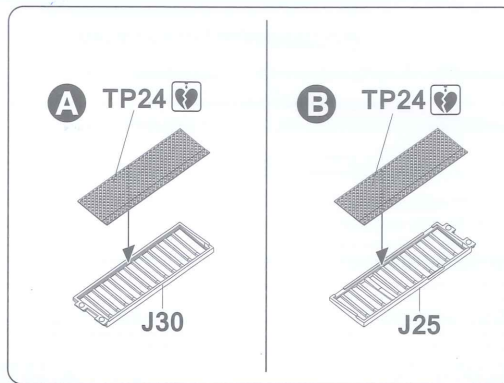




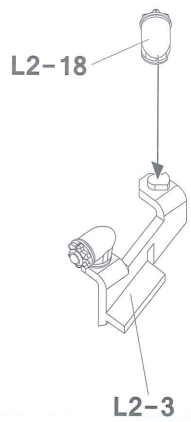
17



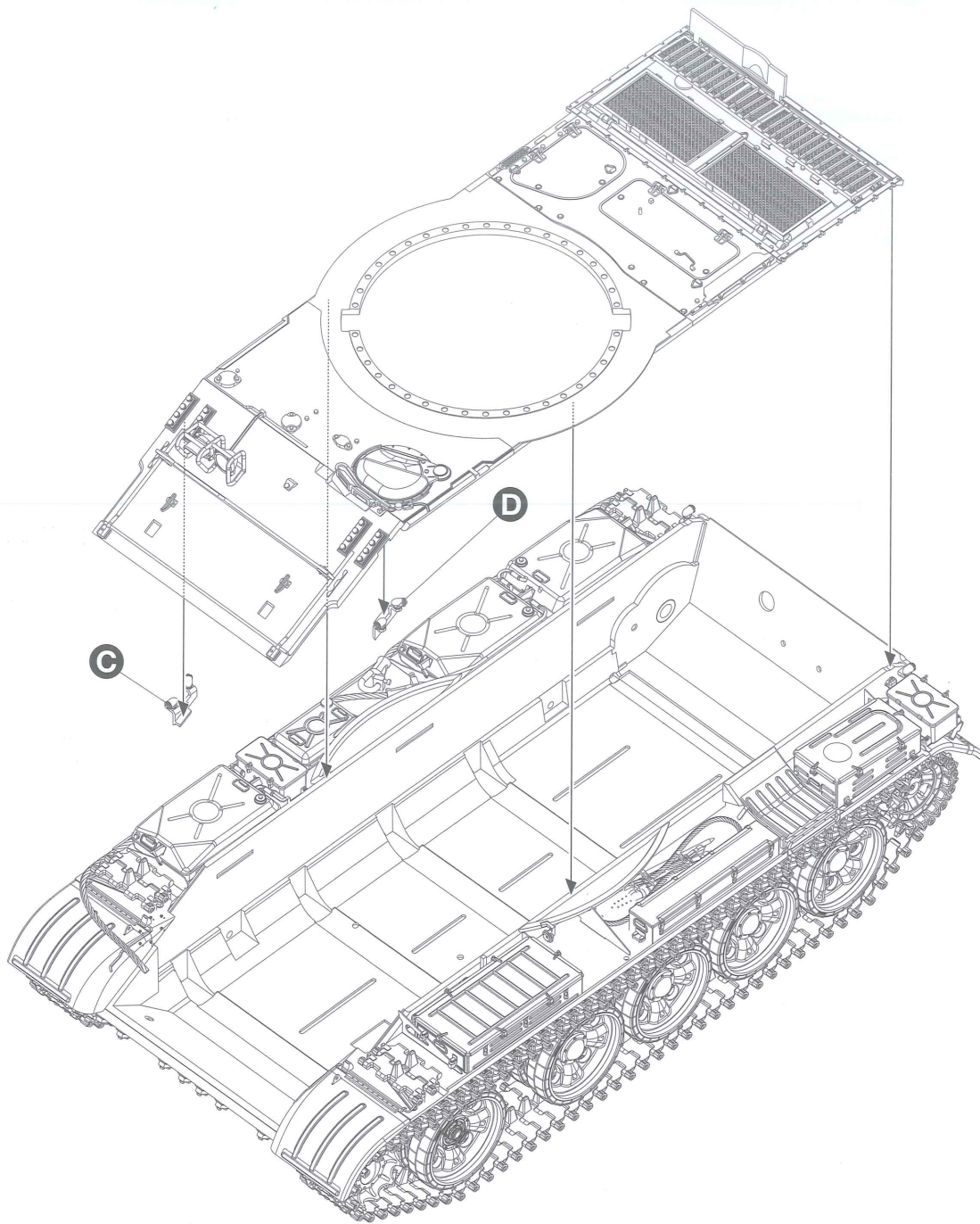
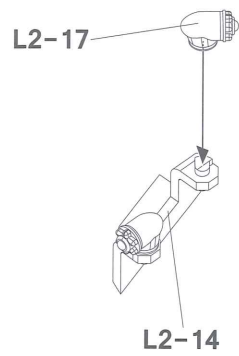
18



C

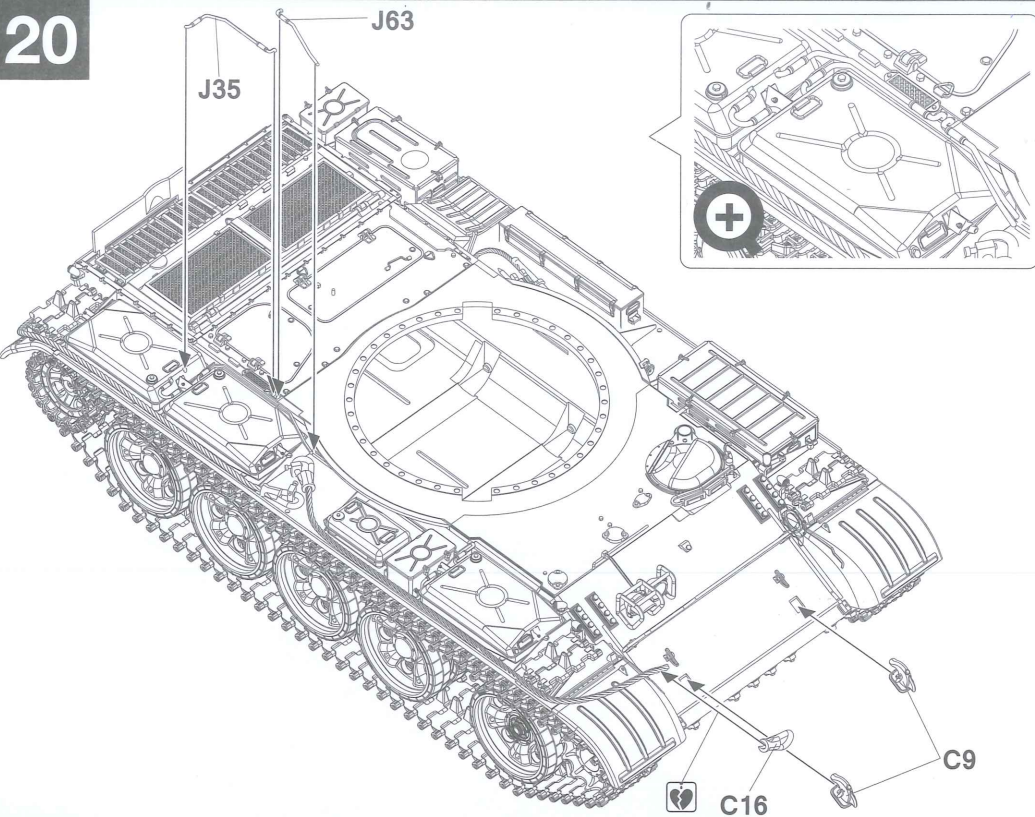


D

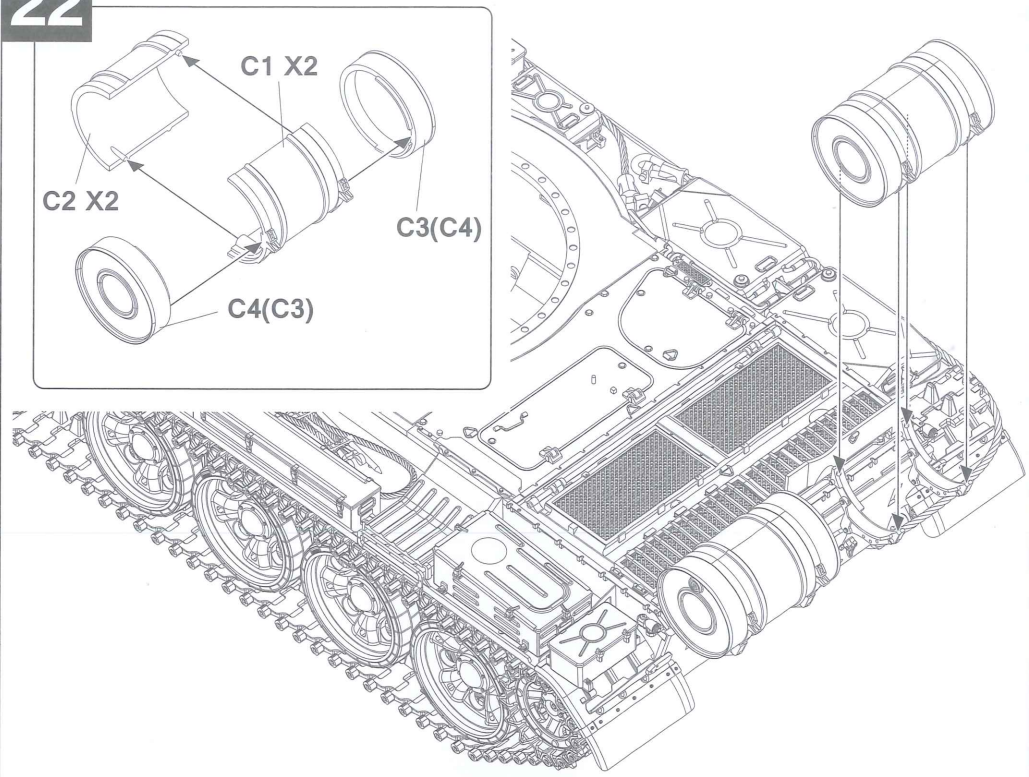




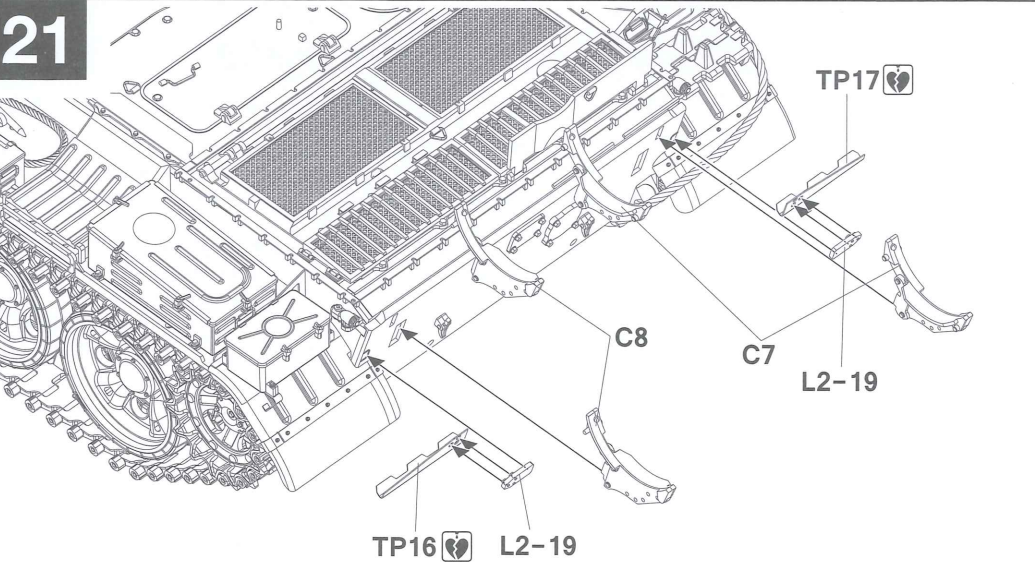
20



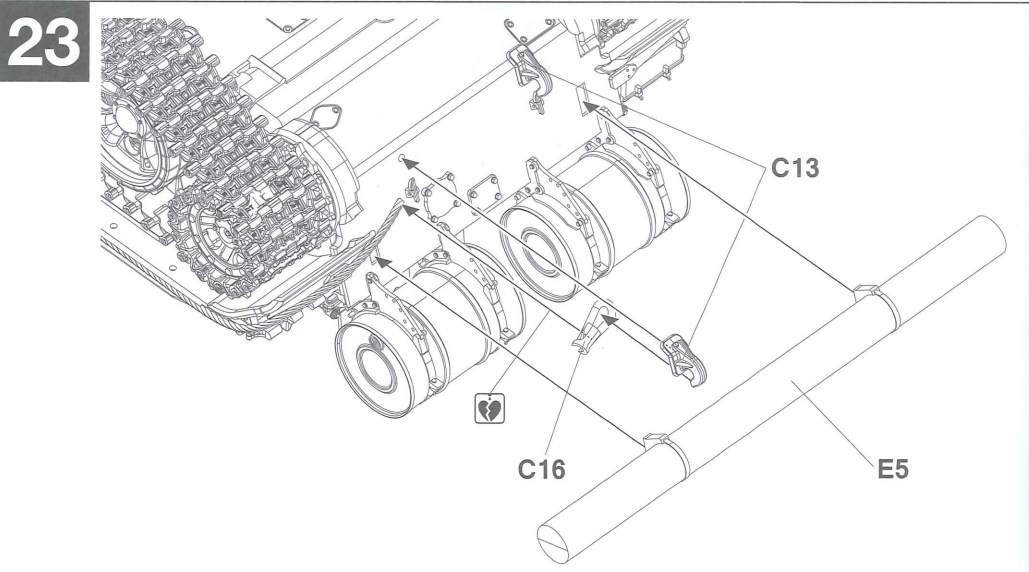
22



21



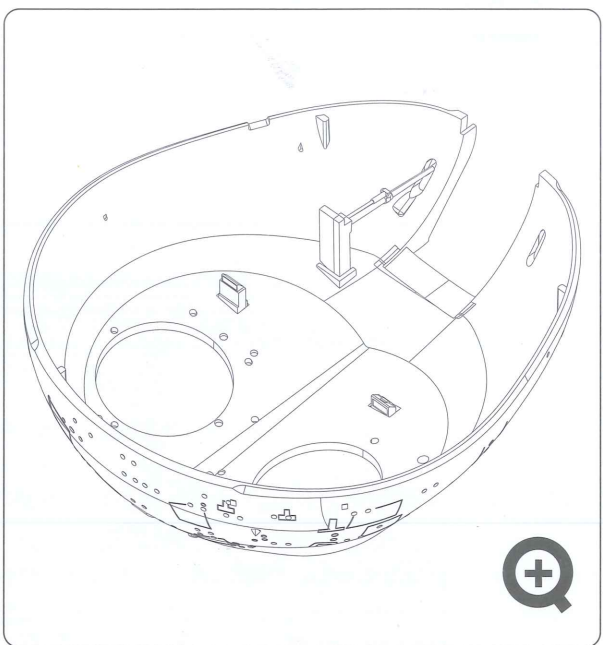
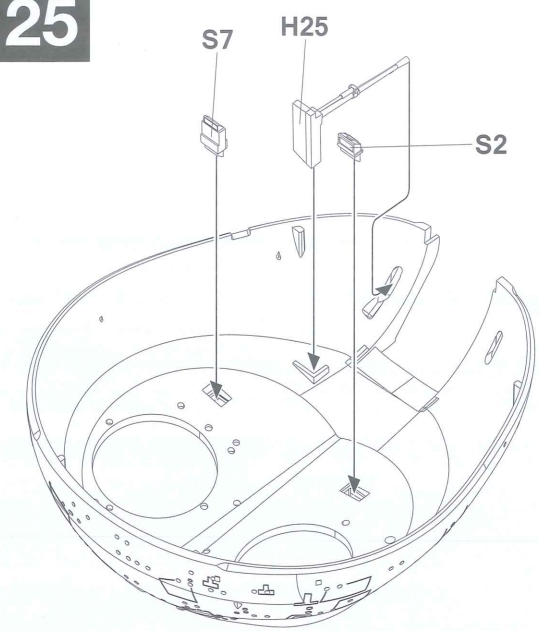
23



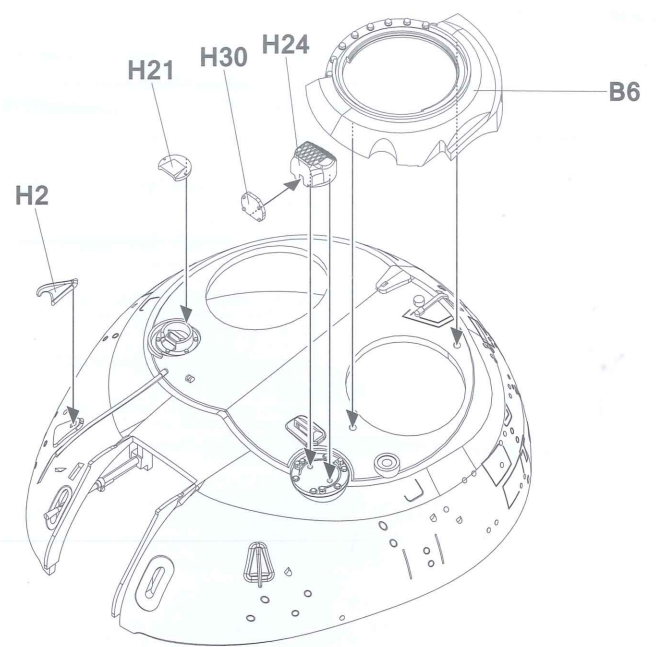




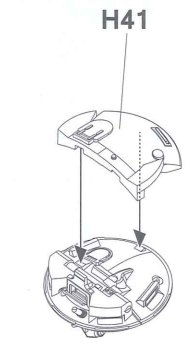
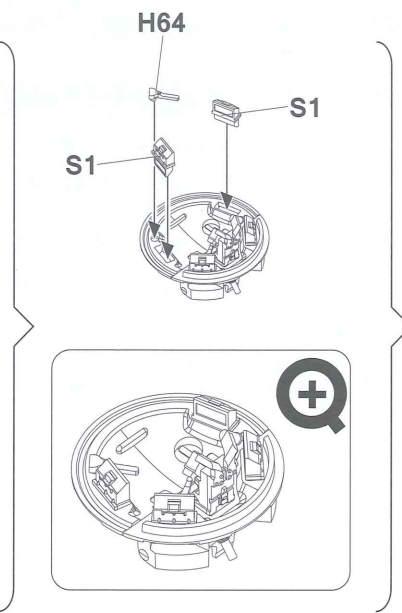
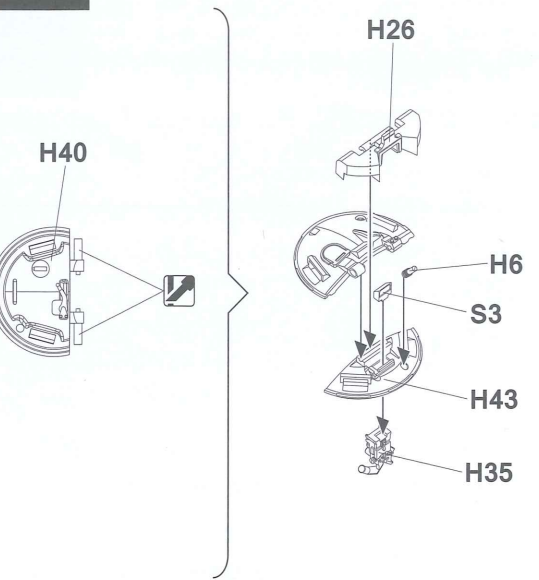
25



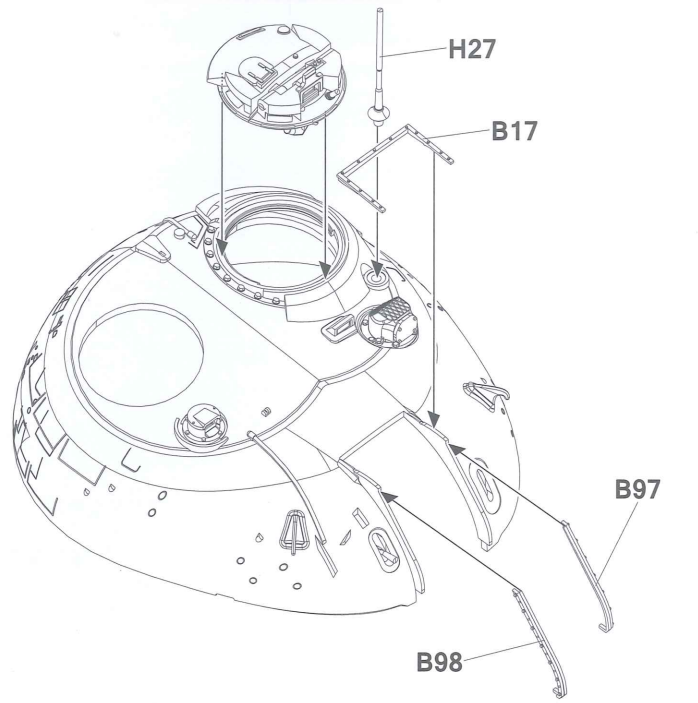
27



26

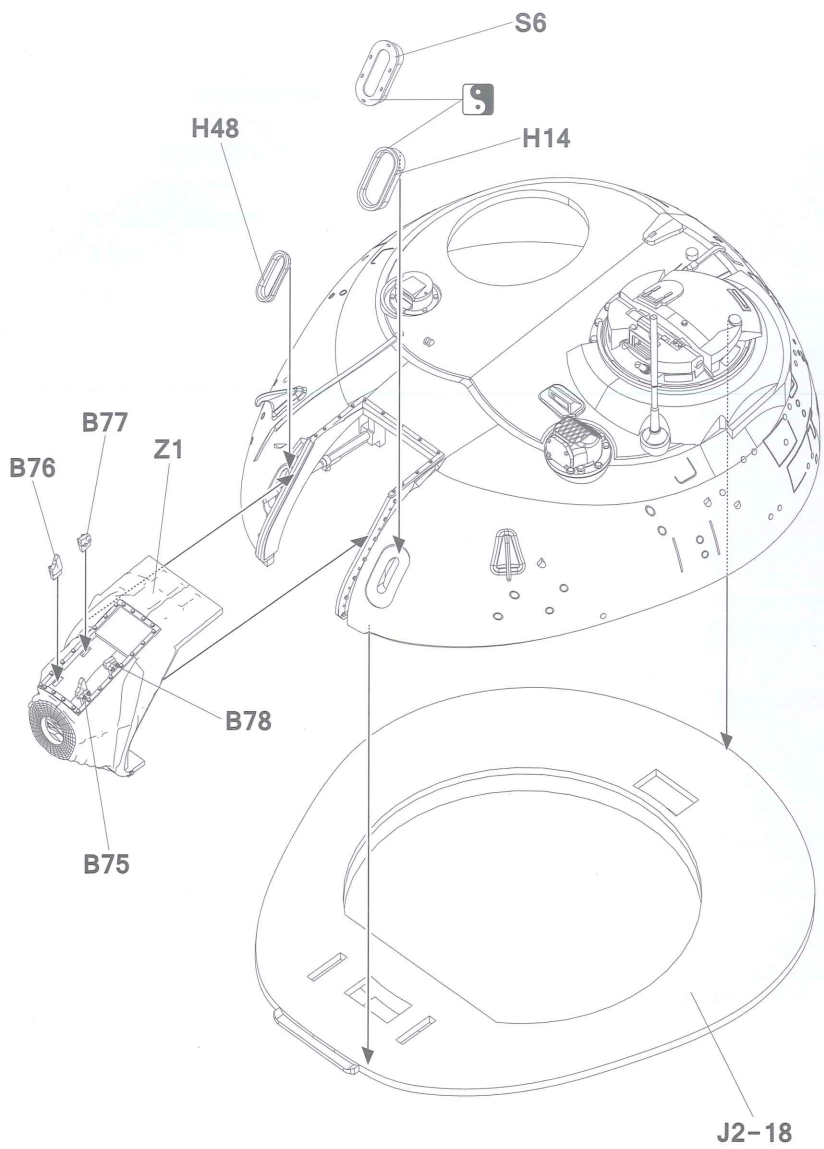


28

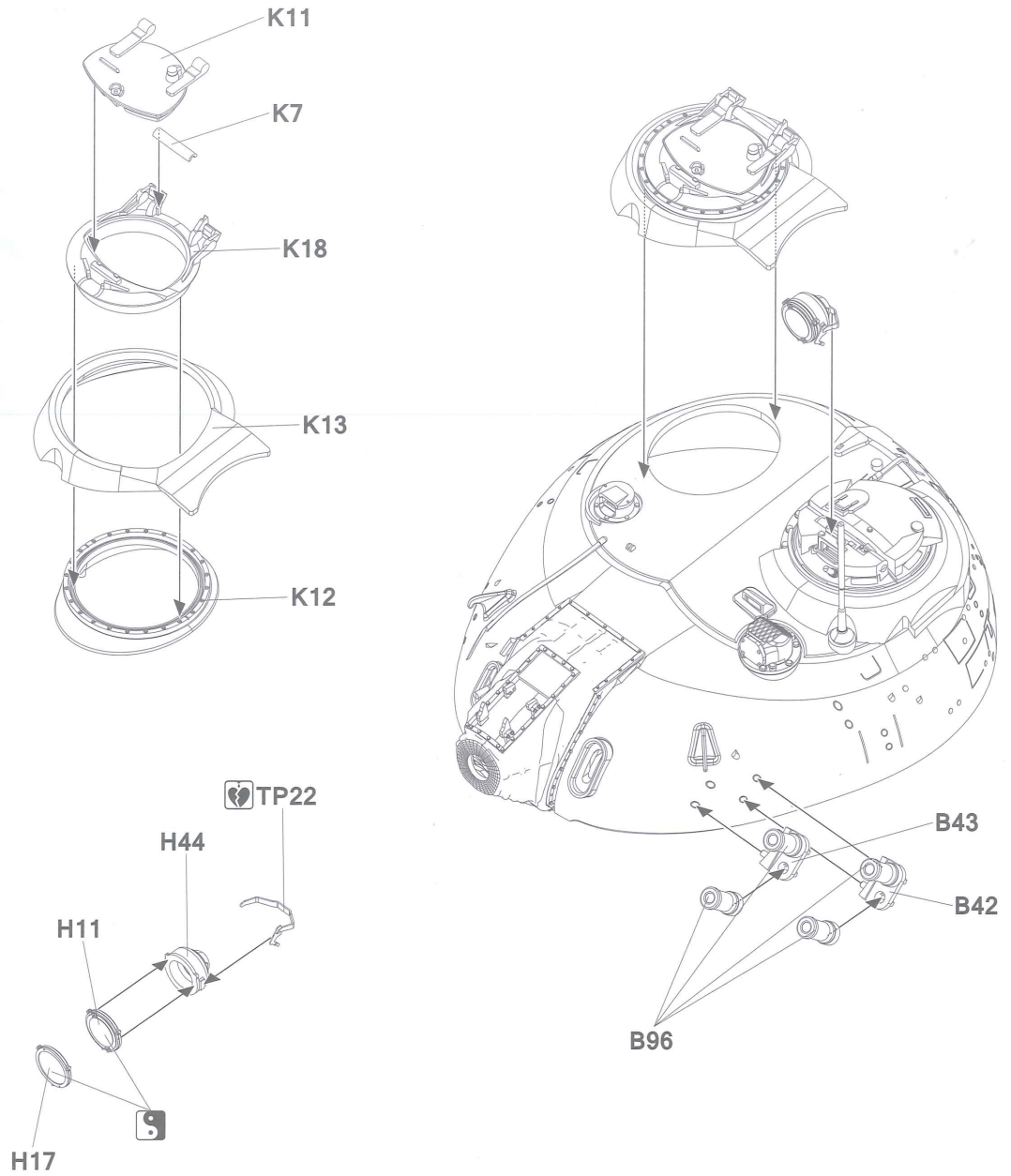


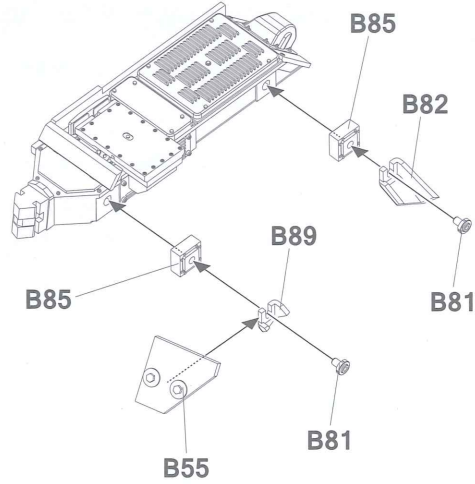
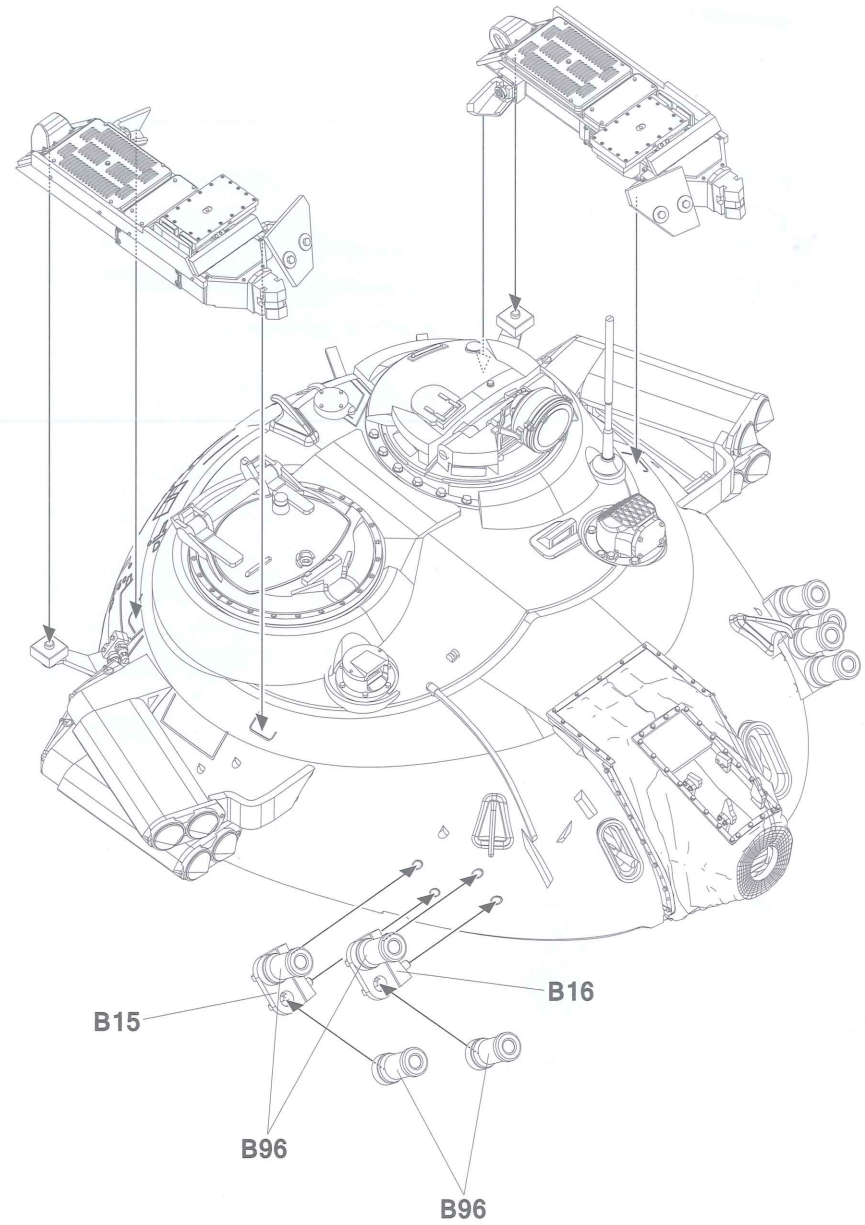
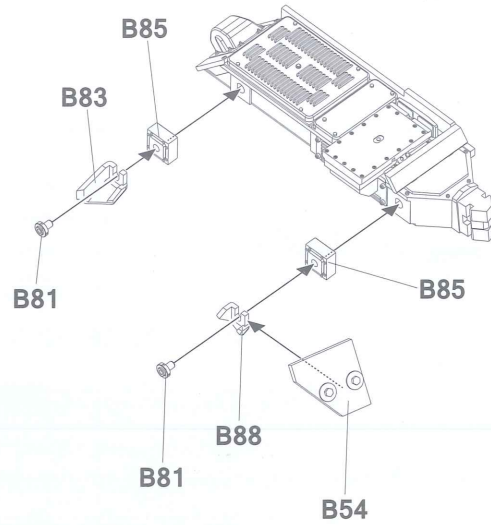
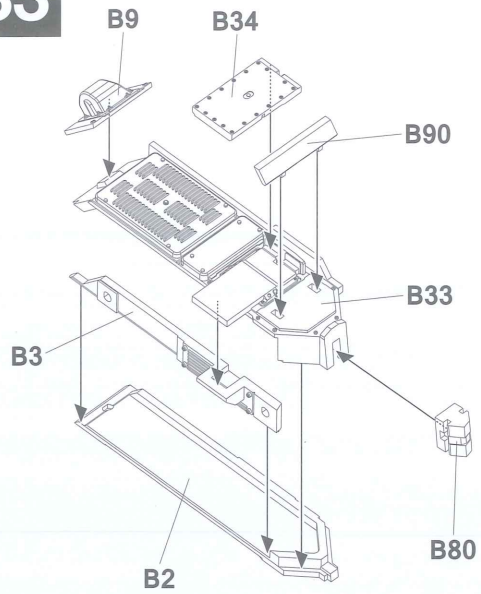


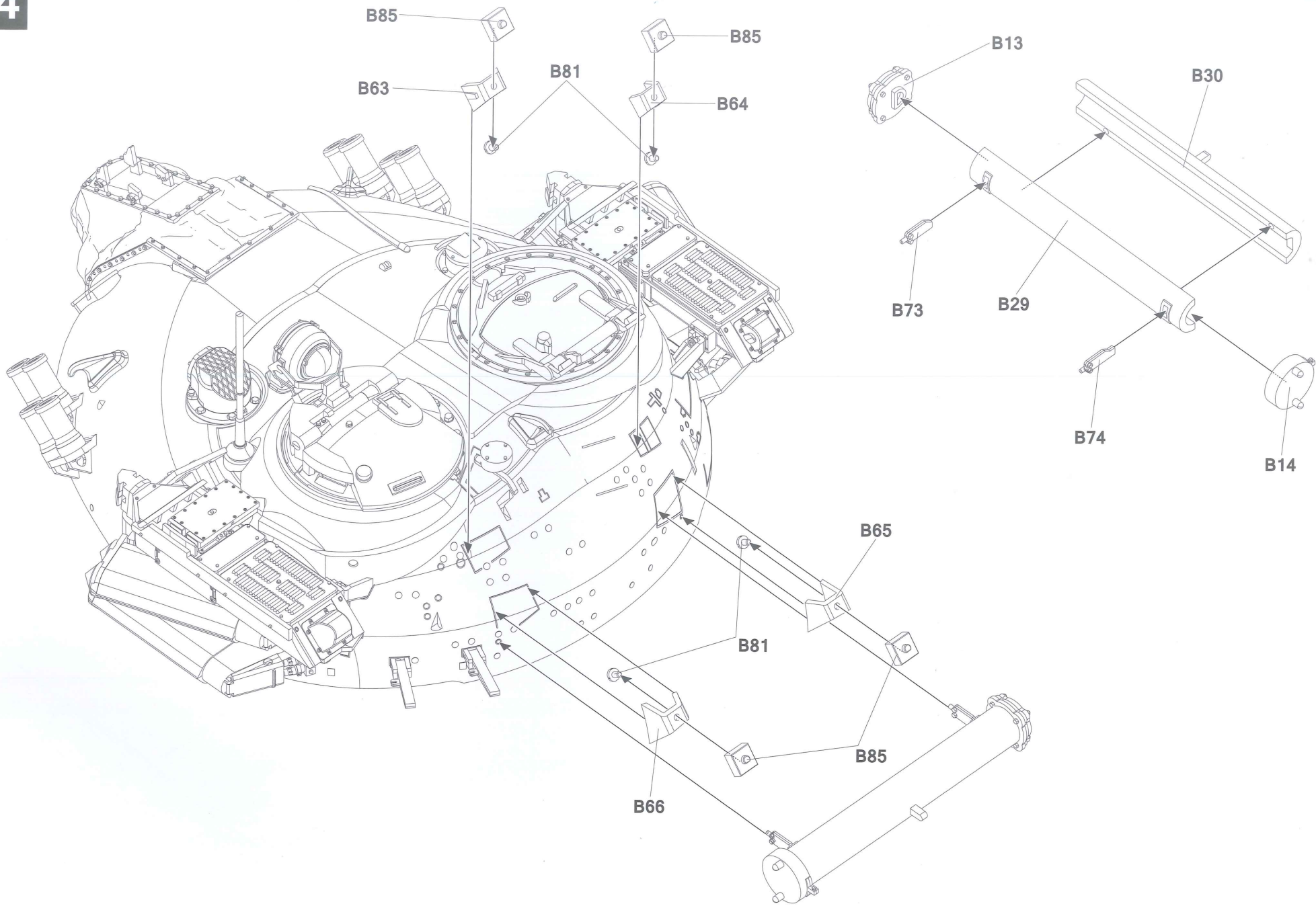
29



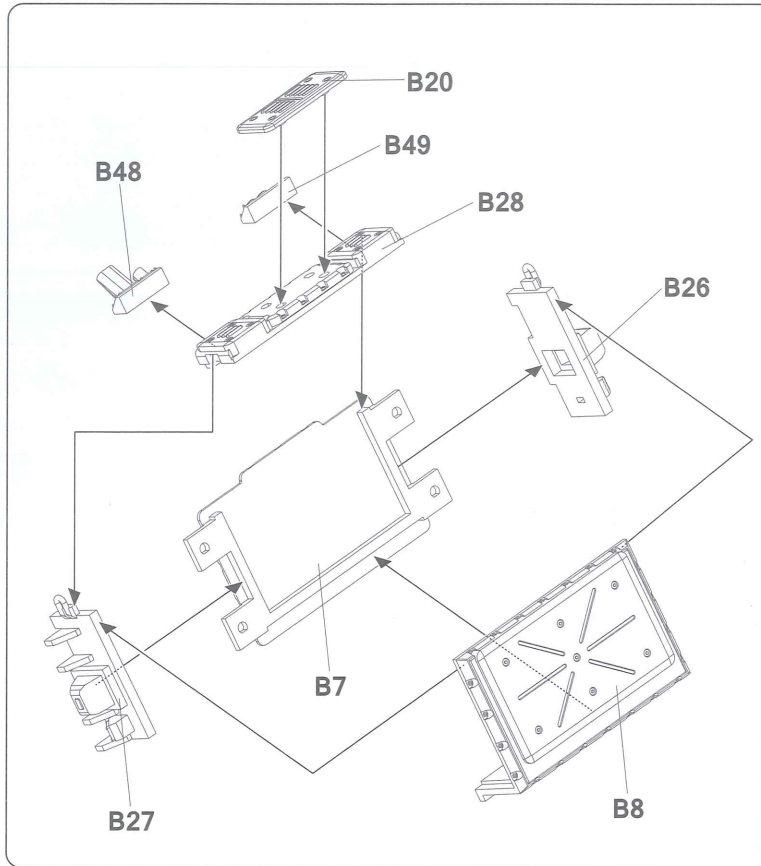
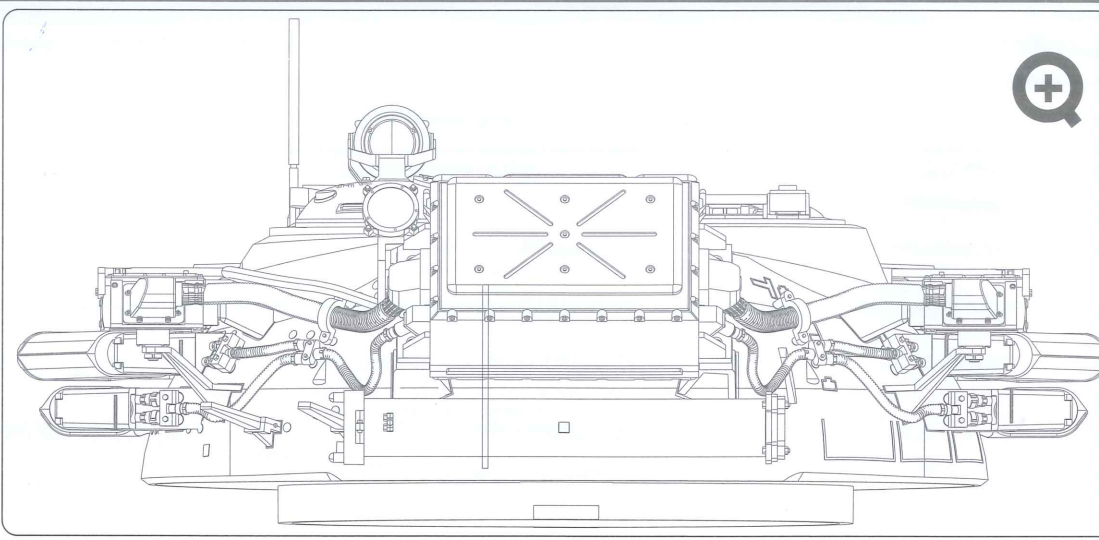
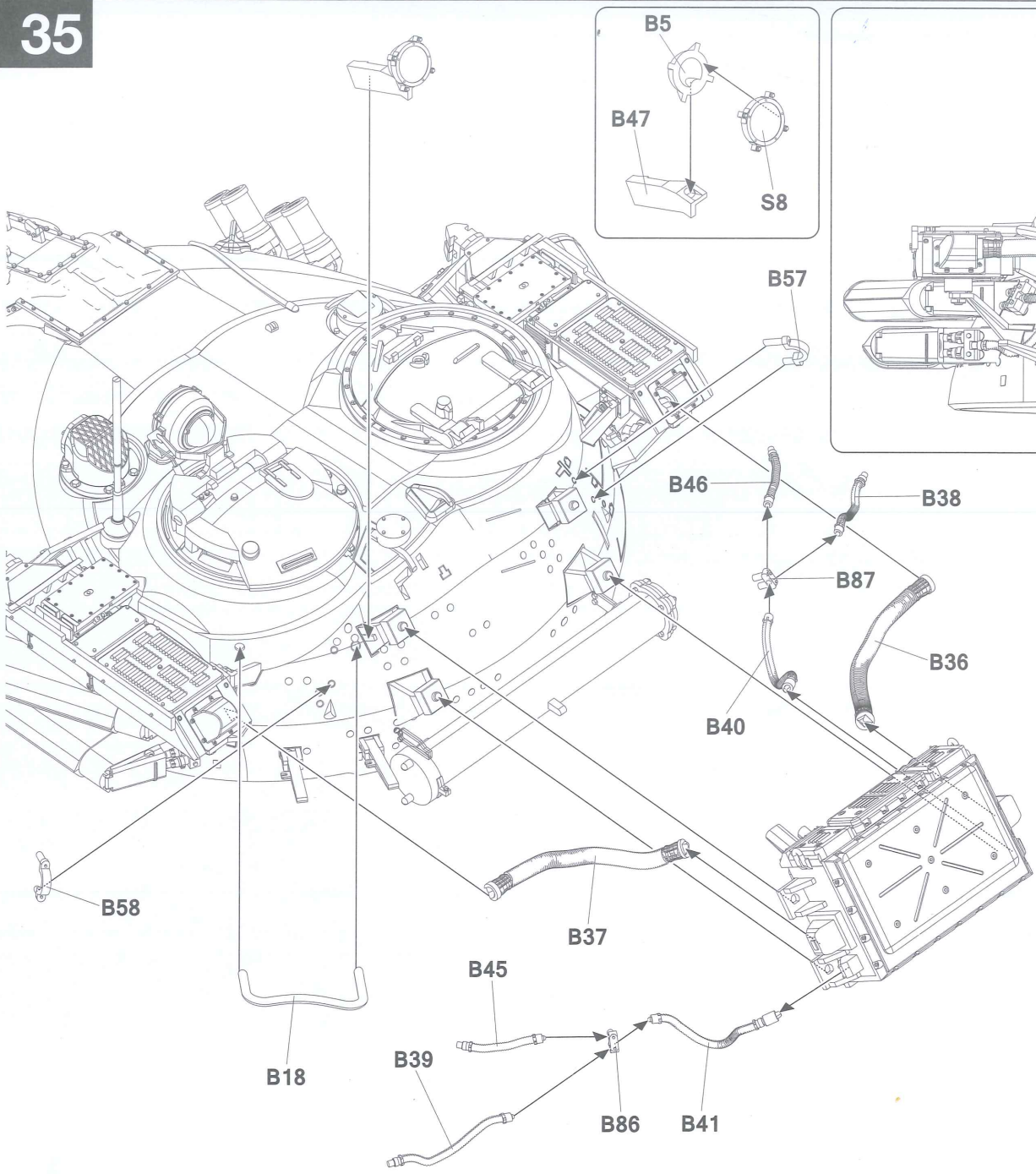
30

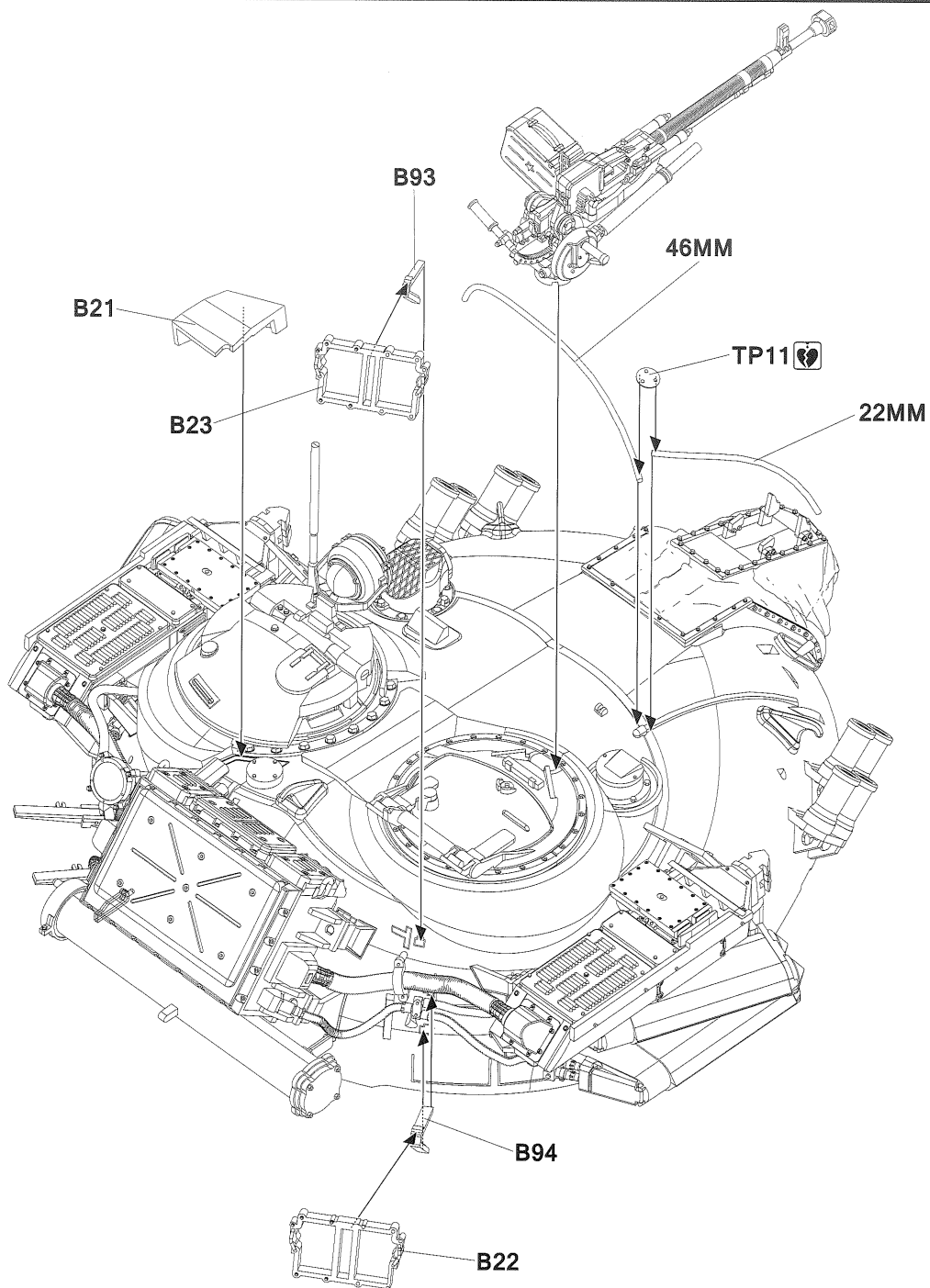
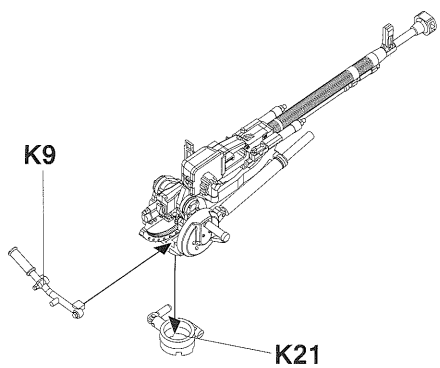
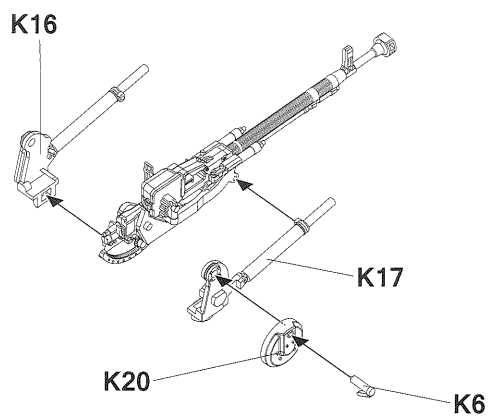
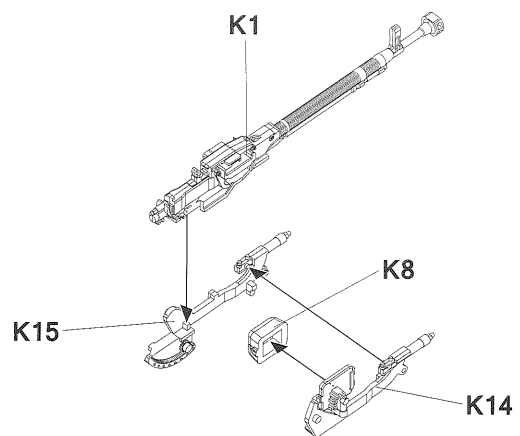




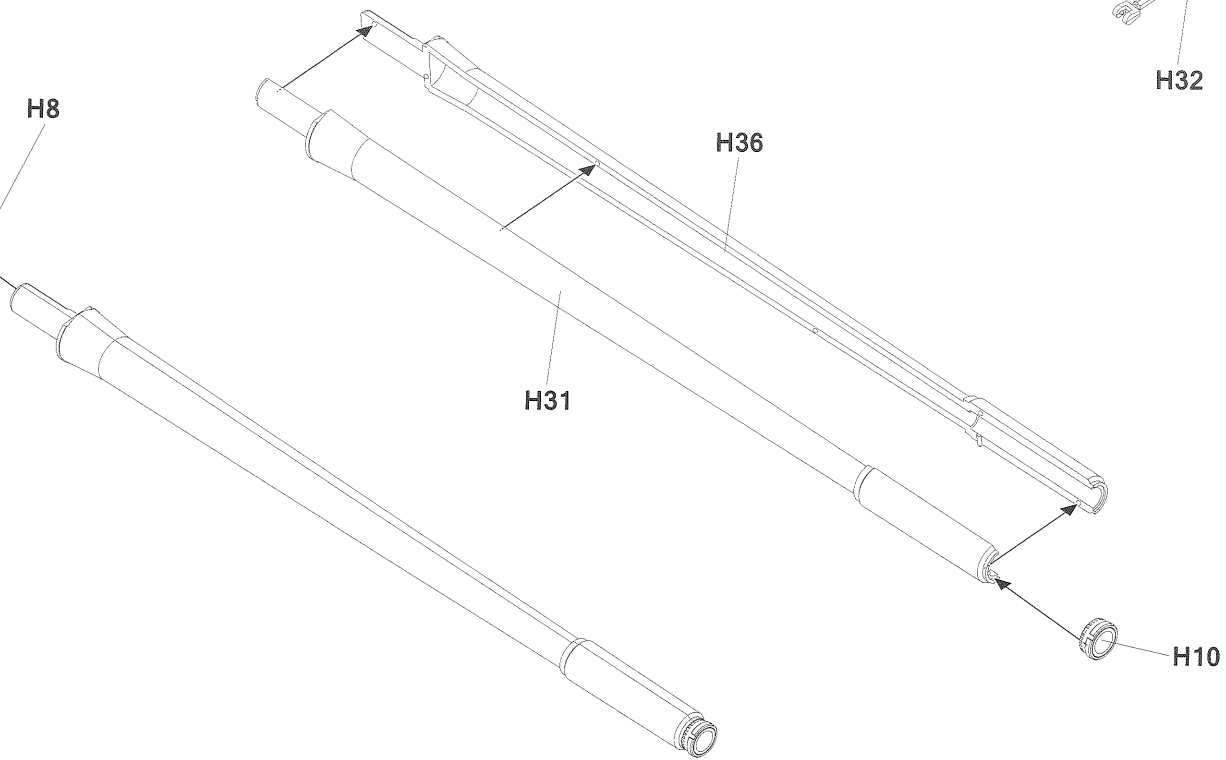
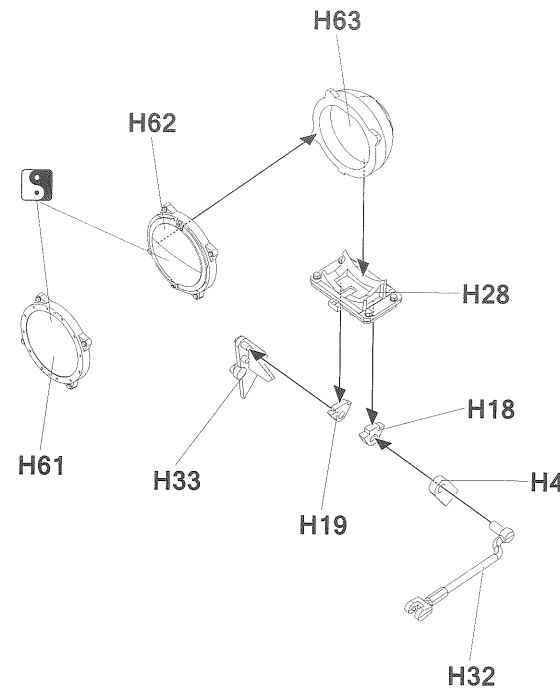
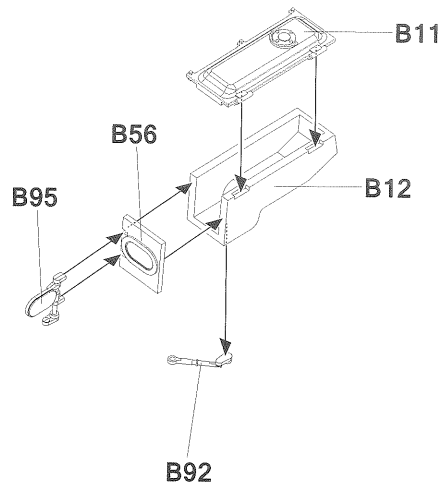
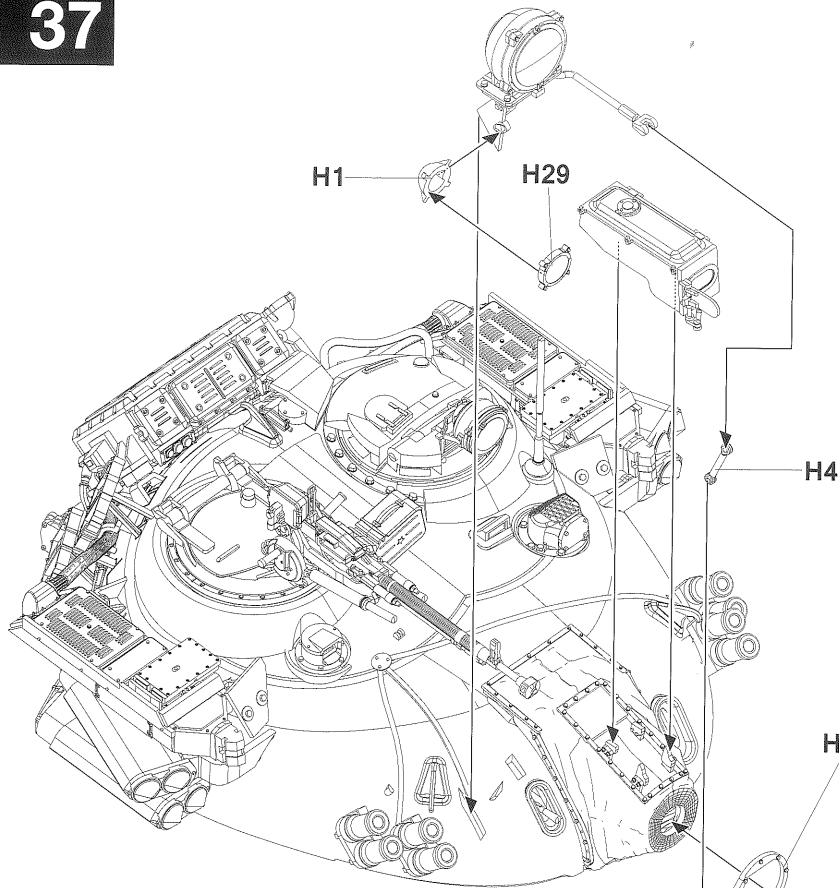


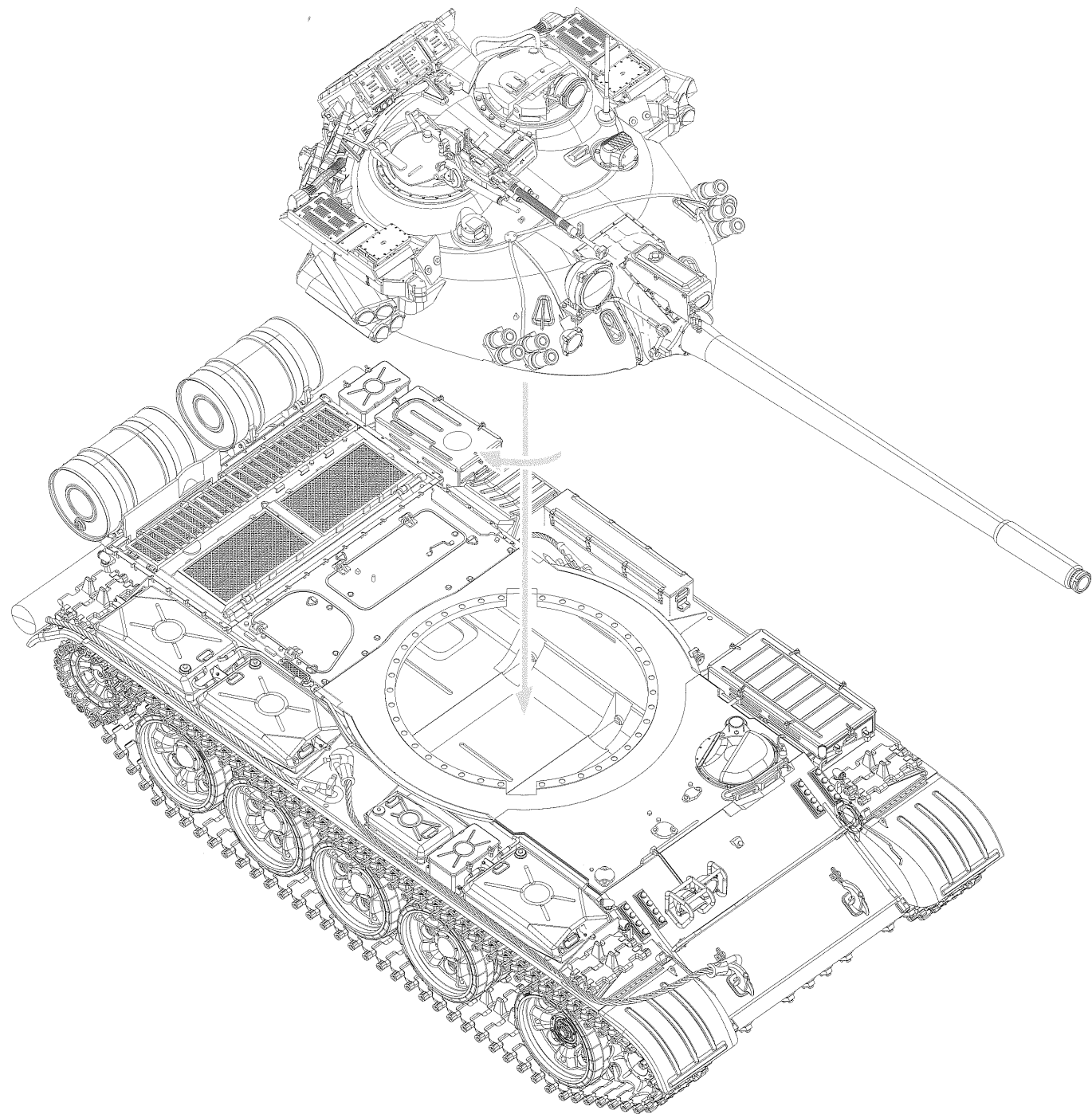














03.03.2166



# T55AD "Drozd"

**AMMO**  
by MIG Jimenez  
www.ammo.es

Painting and Marking Guide

TAKOM N°: 2166

|            |                         |            |                    |            |             |            |          |            |           |
|------------|-------------------------|------------|--------------------|------------|-------------|------------|----------|------------|-----------|
| A.MIG-0033 | Rubber & Tires          | A.MIG-0034 | Rust Tracks        | A.MIG-0035 | Dark Tracks | A.MIG-0036 | Old Wood | A.MIG-0045 | Gun Metal |
| A.MIG-0096 | Crystal Periscope Green | A.MIG-0932 | Russian Green Base |            |             |            |          |            |           |



## WEATHERING STEPS WITH AMMO PRODUCTS

|  |  |  |  |  |
|--|--|--|--|--|
| <b>1 GENERAL WASH</b><br>A.MIG-100g Dark Brown Wash for Green Vehicles | <b>3 STREAKING</b><br>A.MIG-1203 Streaking Grime       | <b>5 TIRES WASH</b><br>A.MIG-1403 Earth        | <b>7 MUD</b><br>A.MIG-1703 Moist Ground      | <b>9 FUEL</b><br>A.MIG-1409 Fuel Stains      |
| <b>2 FILTER</b><br>A.MIG-1508 Green for Grey Green                     | <b>4 RAINMARKS</b><br>A.MIG-1258 Streakingbrusher Dust | <b>6 DUST</b><br>A.MIG-3015 Brick Dust Pigment | <b>8 SPLASHES</b><br>A.MIG-1752 Loose Ground | <b>10 OIL</b><br>A.MIG-1408 Fresh Engine Oil |

03.03.2166



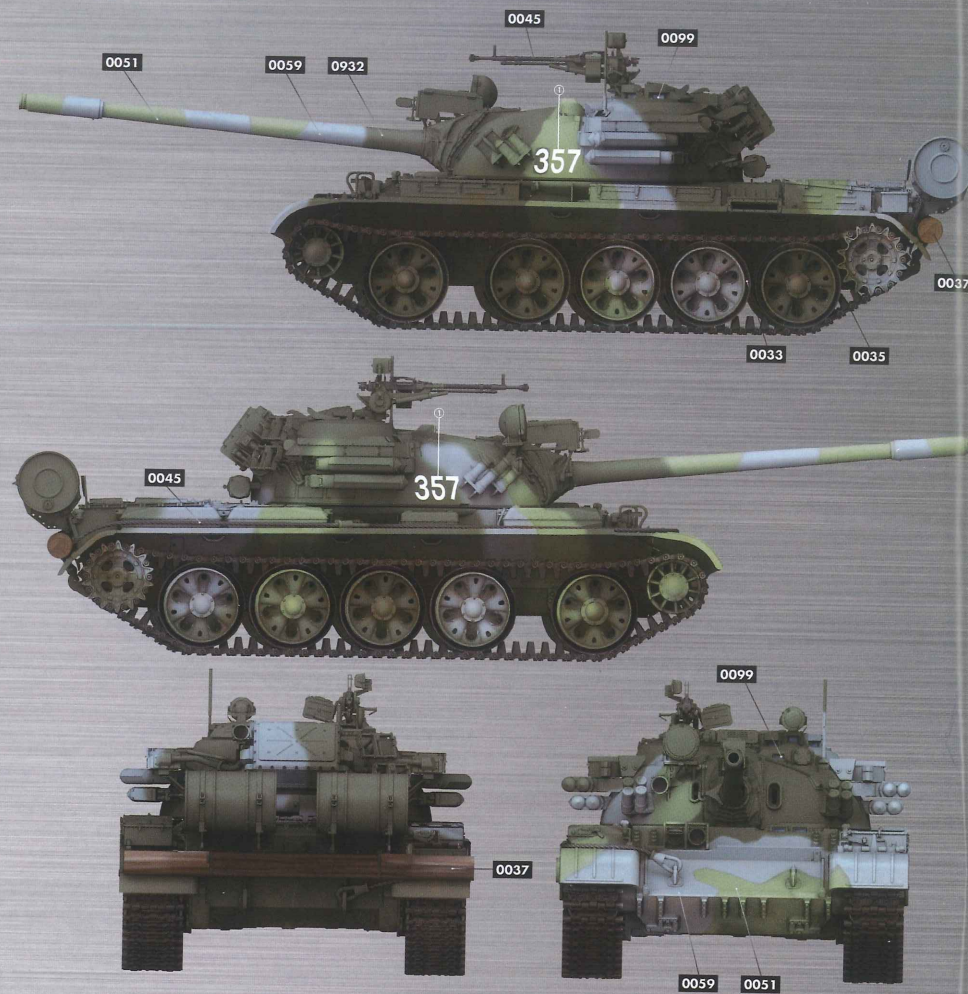
# T55AD "Drozd"

**AMMO**  
by MIG Jimenez  
www.ammo.es

Painting and Marking Guide

TAKOM N°: 2166

|            |                |            |             |            |                        |            |                    |            |           |
|------------|----------------|------------|-------------|------------|------------------------|------------|--------------------|------------|-----------|
| A.MIG-0033 | Rubber & Tires | A.MIG-0034 | Rust Tracks | A.MIG-0035 | Dark Tracks            | A.MIG-0037 | New Wood           | A.MIG-0045 | Gun Metal |
| A.MIG-0051 | Light Green    | A.MIG-0059 | Grey        | A.MIG-0099 | Crystal Periscope Blue | A.MIG-0932 | Russian Green Base |            |           |



## WEATHERING STEPS WITH AMMO PRODUCTS

|  |   |  |  |  |
|--|---|--|--|--|
| <b>1 GENERAL WASH</b><br>A.MIG-100g Dark Brown Wash for Green Vehicles | <b>3 FILTER</b><br>A.MIG-0813 Military Green          | <b>5 DIRT SHADING</b><br>A.MIG-0855 Filth Shader                     | <b>7 STREAKING</b><br>A.MIG-1203 Streaking Grime       | <b>9 TRACKS WASH</b><br>A.MIG-1002 Tracks Wash |
| <b>2 CAMOUFLAGE FADING</b><br>A.MIG-3518 Oilbrusher Sunny Flesh        | <b>4 CAMO SHADING</b><br>A.MIG-0866 Dark Green Shader | <b>6 DETAILS HIGHLIGHT</b><br>A.MIG-0609 Drybrush Medium Olive Green | <b>8 RAINMARKS</b><br>A.MIG-1258 Streakingbrusher Dust |  |



# M114 EARLY & LATE w/interior 2IN1

- A. ALL HATCHES CAN BE BUILT IN OPEN OR CLOSED POSITION
- A. TRACK ASSEMBLY IS ADDED WITH THE USE OF A PIN
- A. DETAILED STATIC DISPLAY PLASTIC MODEL
- A. LINK & SLENGTH STYLE TRACKS INCLUDED
- A. PE & CLEAR PARTS INCLUDED
- A. 4 TYPES OF MARKINGS
- A. FIGURE NOT INCLUDED



1/35  
No. 2154

# Vk 100.01 (P) MAMMUT 2IN1

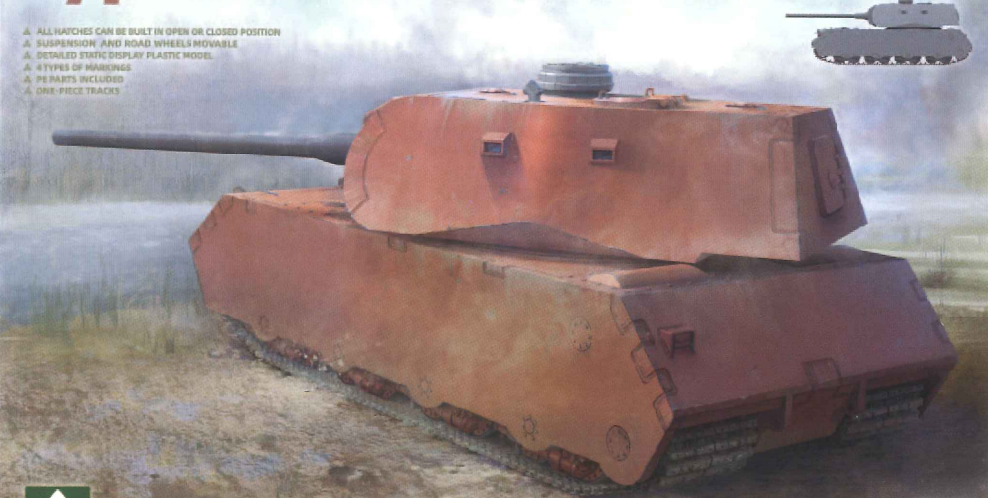
- A. ALL HATCHES CAN BE BUILT IN OPEN OR CLOSED POSITION
- A. SUSPENSION AND ROAD WHEEL MOVABLE
- A. DETAILED STATIC DISPLAY PLASTIC MODEL
- A. WEAPONS BASED IN CLEAR
- A. FIGURE NOT INCLUDED
- A. 4 TYPES OF MARKINGS
- A. PE PARTS INCLUDED
- A. ONE-PIECE TRACKS



1/35  
No. 2156

# Typ 205 Mäuschen SUPER HEAVY TANK

- A. ALL HATCHES CAN BE BUILT IN OPEN OR CLOSED POSITION
- A. SUSPENSION AND ROAD WHEELS MOVABLE
- A. DETAILED STATIC DISPLAY PLASTIC MODEL
- A. 4 TYPES OF MARKINGS
- A. PE PARTS INCLUDED
- A. ONE-PIECE TRACKS



1/35  
No. 2159

# M48 A3 Mod B

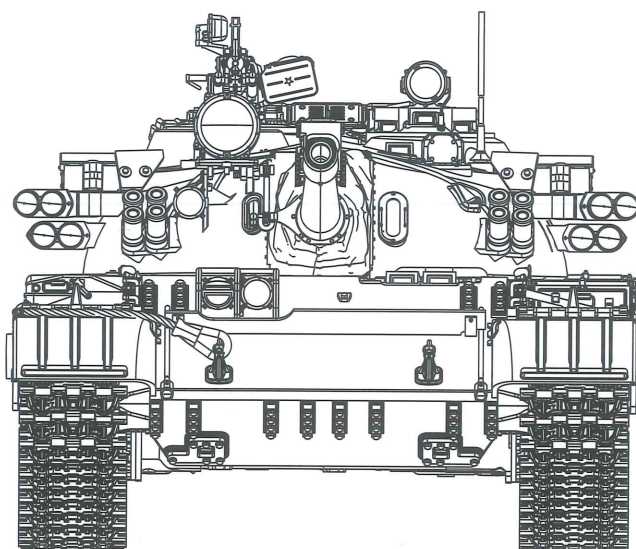
- A. ALL HATCHES CAN BE BUILT IN OPEN OR CLOSED POSITION
- A. SUSPENSION AND ROAD WHEELS MOVABLE
- A. DETAILED STATIC DISPLAY PLASTIC MODEL
- A. FIGURE NOT INCLUDED
- A. 4 TYPES OF MARKINGS
- A. PE PARTS INCLUDED
- A. ONE-PIECE TRACKS



1/35  
No. 2162



2023/2166



 You can find TAKOM on Facebook.com