

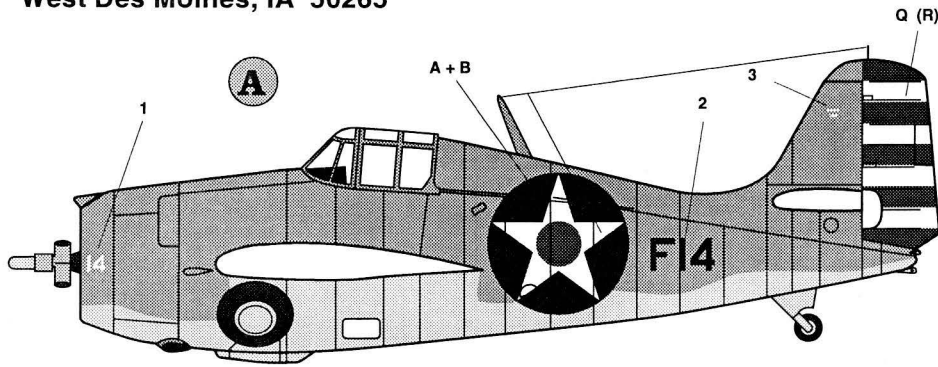
Three Guys Replicas™

817 Grand Avenue
West Des Moines, IA 50265

First Team Wildcats

Sheet TGR48012

1/48 Scale

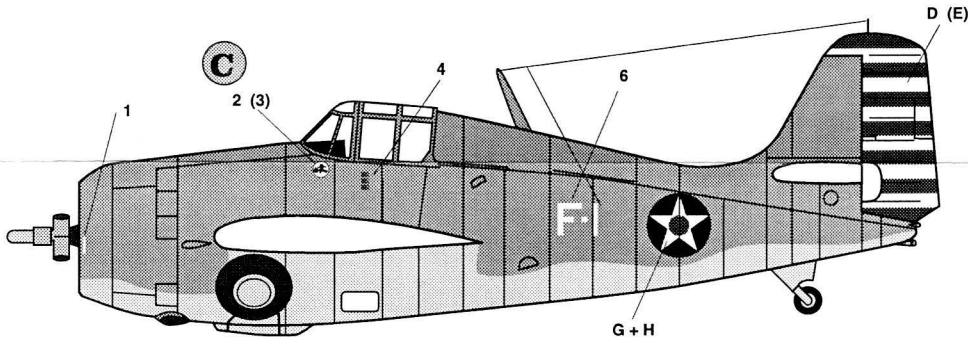
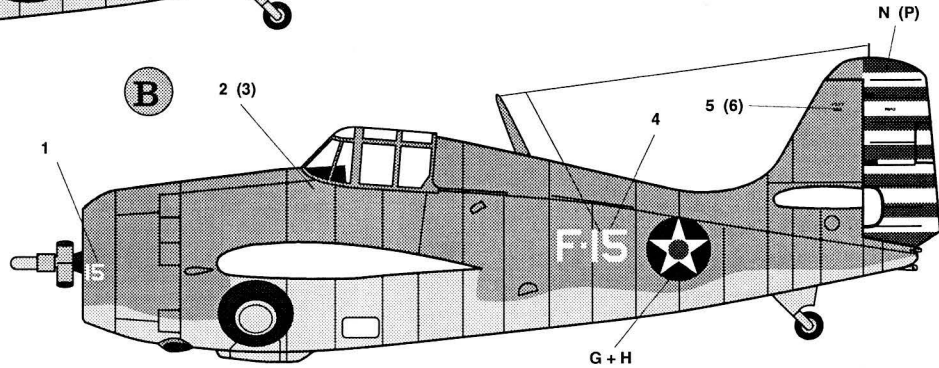


F4F-3A, BuNo 3914, VF-6. Upper surfaces Blue Gray; lower surfaces Light Gray. Prop hub natural metal. The first aerial victory of WWII by a US Navy fighter squadron was scored in F14 flown by LTJG Wilmer E. Rawie on 1 February 1942. Taroa Atoll, Marshall Islands. USS Enterprise (CV6).

Wing Stars in four positions

F4F-3, BuNo 4031, VF-3. Upper surfaces Blue Gray; lower surfaces Light Gray. Prop hub natural metal. Flown by LT Edward H. "Butch" O'Hare on his Medal of Honor mission of 20 February 1942 near Rabaul. USS Lexington (CV2).

Wing Stars in two positions

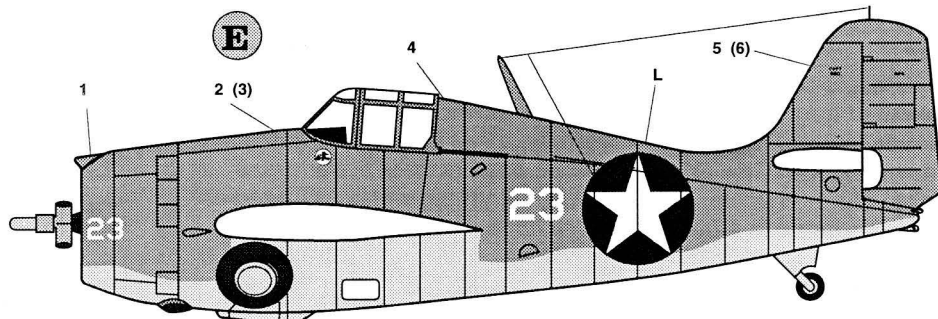
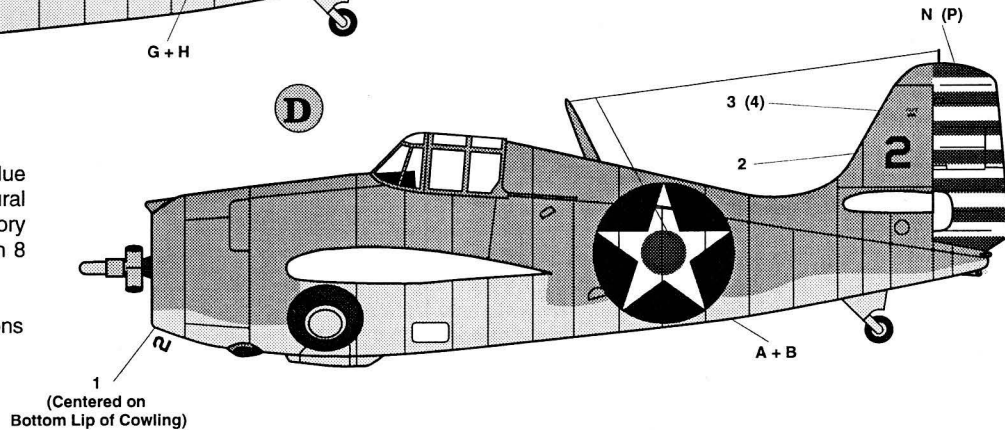


F4F-3, VF-3. Upper surfaces Blue Gray; lower surfaces Light Gray. Prop hub natural metal. Aircraft of LCDR John S. "Jimmy" Thach, VF-3 Commander. As seen in Hawaii, April 1942, in formation with Butch O'Hare. USS Lexington (CV2).

Wing Stars in two positions

F4F-3, BuNo 2531, VF-42. Upper surfaces Blue Gray; lower surfaces Light Gray. Prop hub natural metal. LTJG E. Scott McCuskey scored a victory in this aircraft at the Battle of the Coral Sea on 8 May 1942. USS Yorktown (CV5).

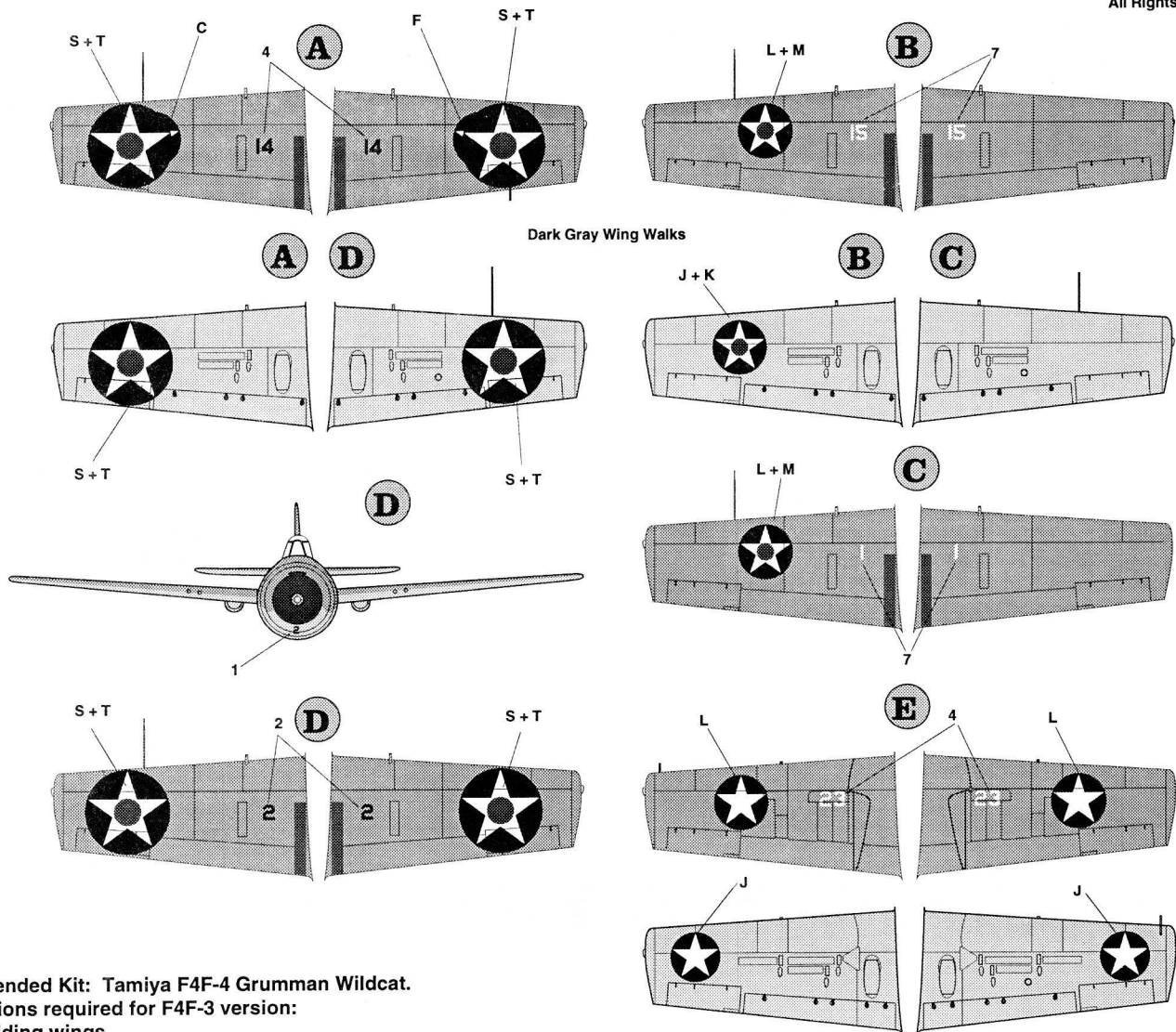
Wing Stars in four positions



F4F-4, BuNo 5093, VF-3. Upper surfaces Blue Gray; lower surfaces Light Gray. Prop hub natural metal. The aircraft in which Jimmy Thach first used his Thach Weave in combat, downing three Zeros at the Battle of Midway, 4 June 1942. USS Yorktown (CV5).

Wing Stars in four positions

NOTE: Decals are to be applied to both left and right sides except as indicated on the drawings.



Recommended Kit: Tamiya F4F-4 Grumman Wildcat.
 Modifications required for F4F-3 version:
 Non-folding wings
 Four-gun armament (with different gun panel arrangement)
 New pitot tube
 Note cowl flap, lip intake, fairing variations (see Reference 5)

References Used:

1. The First Team by James Lundstrom.
2. F4F Detail in Scale Vol. 30, by Bert Kinzey.
3. The Official Monogram US Navy and Marine Corps Color Guide Vol. 2, 1940-1949, by John M. Elliott.
4. F4F Wildcat In Action, Squadron/Signal No. 84, by Don Linn.
5. Grumman F4F-3 Details, IPMS/USA Quarterly 10/1, Fall 1974 by Dick Hill. Details F4F-3 cowling variations by BuNo.



HELP! We need your help. There's lots of good stuff out there hiding in old Uncle Charlie's scrap book. Talk Uncle Charlie out of it for a little while and let us know. We're always looking for interesting aircraft to reproduce in decal form, and we need the assistance of modelers like you to find them. If you have anything you'd like to share, please contact us at the address above. We'll treat it just like it was our own Uncle Charlie's, and everything will be returned as it was received. Heck, we'll even give you a free decal when it's done!

Thanks!

The Three Guys