

1931 CADILLAC V-16

CABRIOLET body by FLEETWOOD



GC431

NOTE! READ THIS BEFORE YOU BEGIN. Read the instructions thoroughly, and study the assembly drawings and parts list to become familiar with all parts of the model. This kit contains over 160 parts in various sizes and colors. Therefore it is important that these instructions are followed carefully to fit and cement the parts together neatly.

This kit features the new exclusive **FRAME-PAK** method of packaging. Each frame of plastic parts is molded with identifying numbers appearing on the parts or on tabs next

to the corresponding parts. These numbers correspond with numbers on the assembly drawings and parts list. To further find and identify these parts, the color of plastic is indicated on the parts list.

Do not detach parts from the frame until you are ready to use them. After cutting or breaking off the required part, trim away any excess plastic that is not part of the actual piece. Use a single edge razor blade or a small sharp knife. Check the fit of each part before cementing it in place. Use

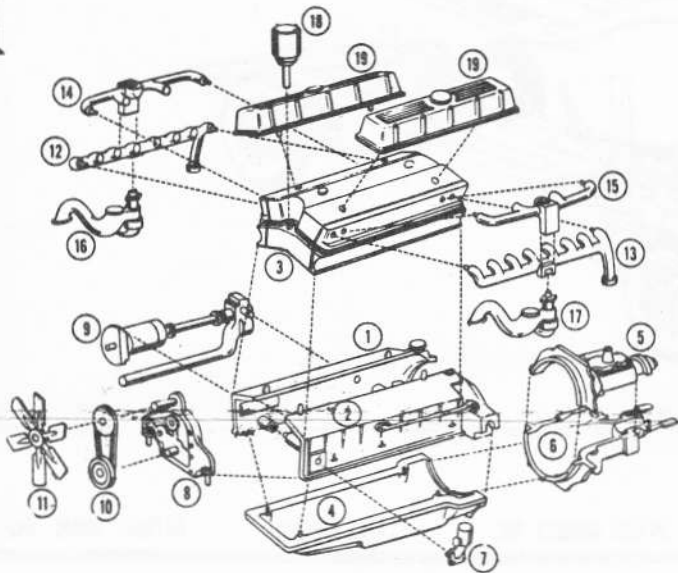
only paint and cement made for polystyrene plastic.

Whenever a chrome-plated part is ready to be cemented in place, **SCRAPE OFF CHROME PLATING IN AREAS WHICH WILL BE CEMENTED. CEMENT WILL NOT HOLD TO PLATED SURFACES.**

Do not hurry. Work carefully and patiently. Use cement very sparingly and avoid getting cement on hands, so as not to smear plastic surfaces. Apply cement to inside surfaces only. Avoid getting cement on outer surfaces of model sections.

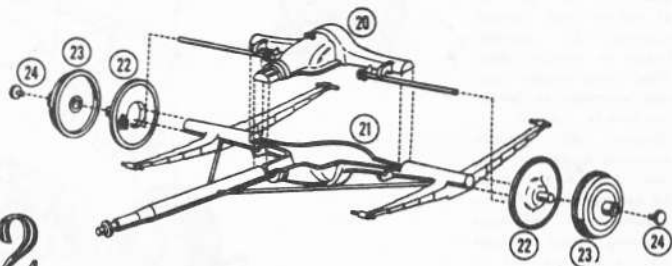
If you plan to paint your model refer to painting suggestions.

1



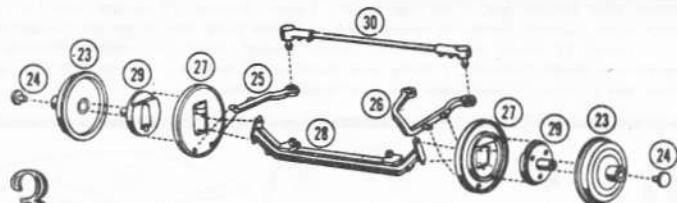
ENGINE. Cement (chrome) 1 engine block, right half, to (chrome) 2 engine block, left half. Cement (black) 3 cylinder head to engine block. Cement (chrome) 4 oil pan to engine block. Cement (black) 5 transmission, top half, to (black) 6 transmission, bottom half. Cement transmission to engine block and oil pan. Cement (black) 7 crankcase breather to engine block. Cement (chrome) 8 engine front cover to engine block. Cement (black) 9 generator, water pump assembly to engine block and engine front cover. Cement (black) 10 fan belt and pulley assembly to engine front cover. Cement (chrome) 11 fan to fan belt and pulley assembly. Cement (black) 12 exhaust manifold, right, to cylinder head. Cement (black) 13 exhaust manifold, left, to cylinder head. Cement (black) 14 intake manifold, right, to cylinder head and exhaust manifold. Cement (black) 15 intake manifold, left, to cylinder and exhaust manifold. Cement (black) 16 carburetor, right, to bottom of exhaust manifold. Cement (black) 17 carburetor, left, to bottom of exhaust manifold. Cement (black) 18 distributor to cylinder head. Cement (chrome) 19 valve covers to cylinder head.

2

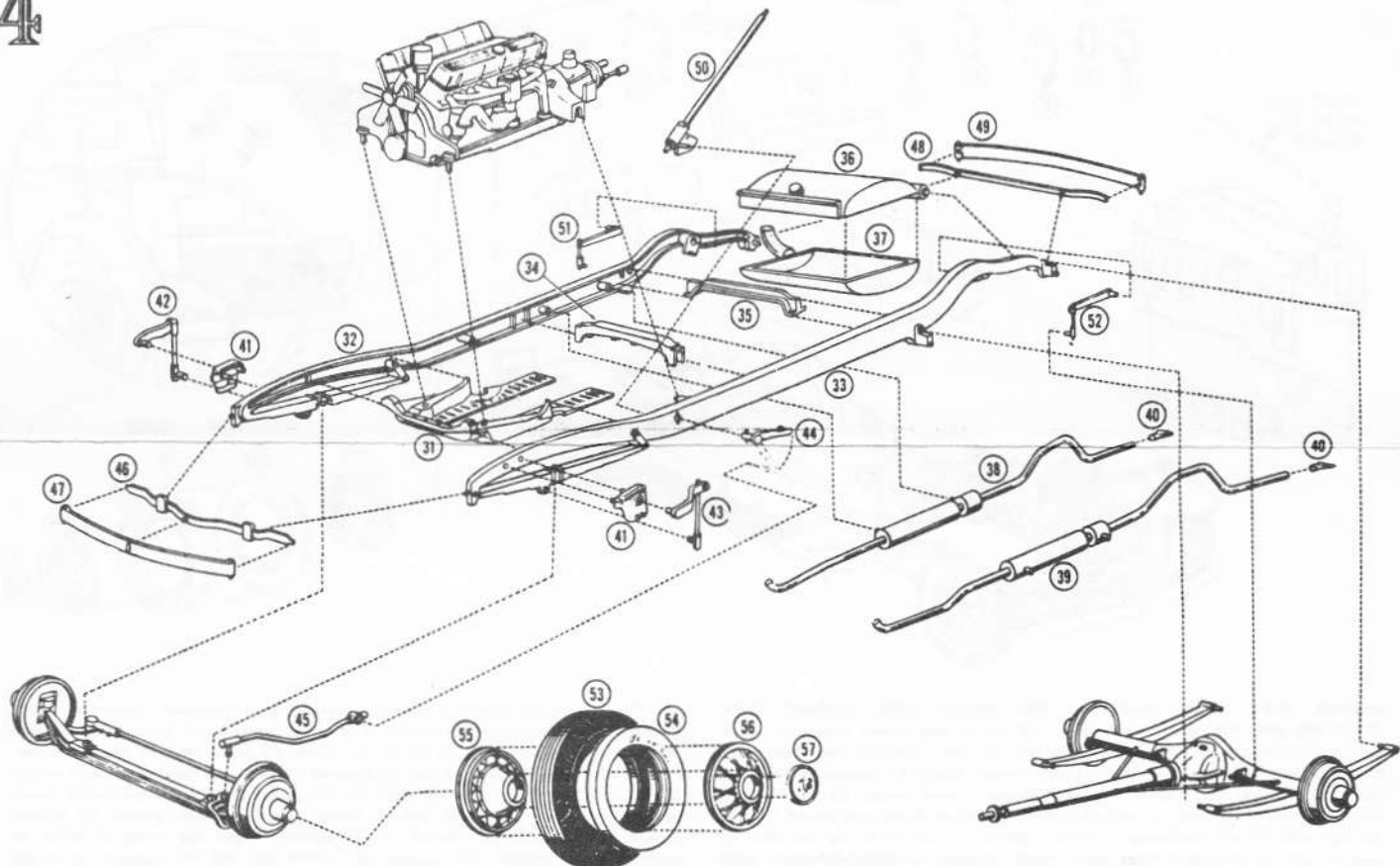


REAR AXLE, SPRINGS AND DRIVE SHAFT ASSEMBLY. Cement (black) 20 rear axle, top half, to (black) 21 rear axle, springs, and drive shaft assembly. Cement (black) 22 brake backing plates, rear, to rear axle. Slip (black) 23 brake drums on brake backing plate spindles. Apply cement and insert (body color) 24 brake drum retaining pins into end of spindles of brake backing plates. Make sure brake drums revolve freely.

3



FRONT AXLE ASSEMBLY. Cement (black) 25 steering arm, right, to back of (black) 27 brake backing plate, front. Cement (black) 26 steering arm, left, to back of other (black) 27 brake backing plate, front. Attach brake backing plates to ends of (black) 28 axle, front and cement (black) 29 wheel spindles, front, to brake backing plates. Make sure both brake backing plate and wheel spindle assembly steer back and forth. Slip (black) 23 brake drums on wheel spindles. Apply cement and insert (body color) 24 brake drum retaining pins into ends of wheel spindles. Make sure brake drums revolve freely. Snap (black) 30 tie rod into steering arms.



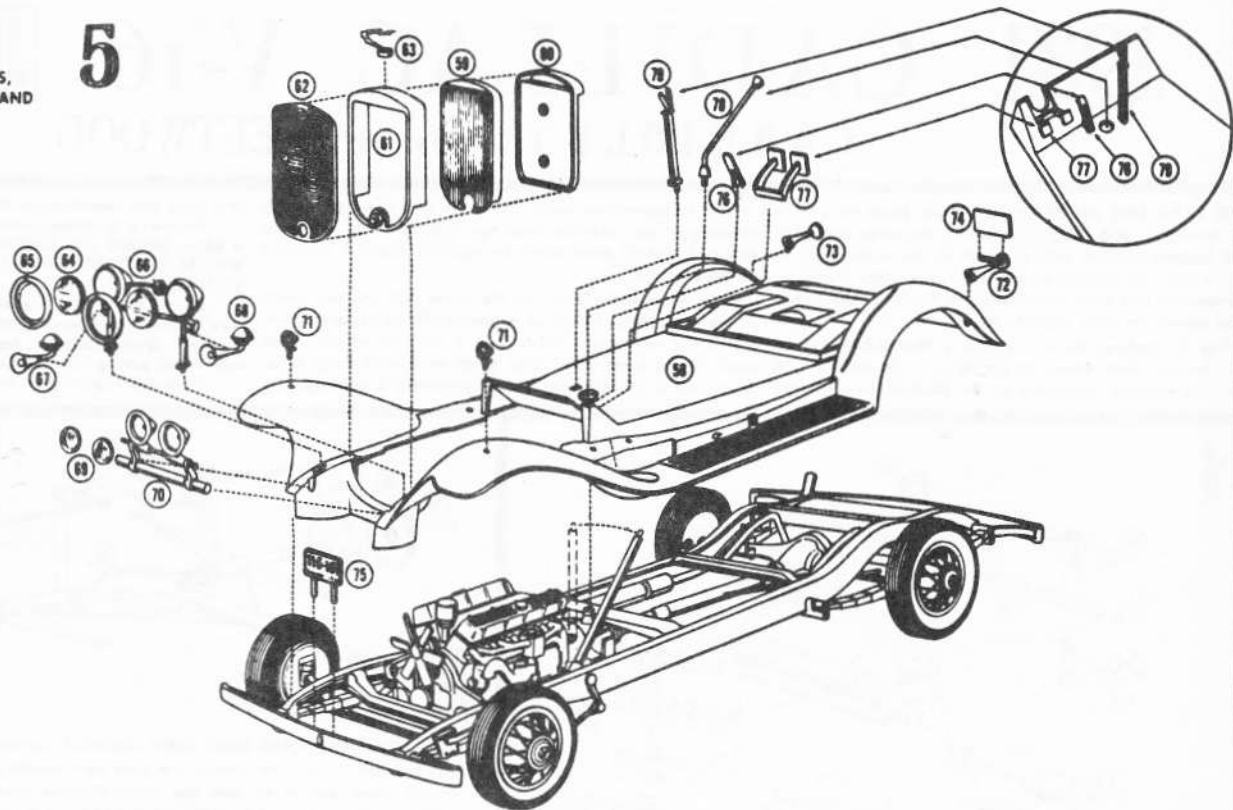
CHASSIS, BUMPERS AND WHEELS. Cement (black) 31 engine mount and splash shield to (black) 32 frame rail, right. Cement (black) 33 frame rail, left, to engine and splash shield. Insert and cement (black) 34 and (black) 35 cross members between frame rails. Cement (black) 36 gas tank, top half, to (black) 37 gas tank, bottom half. Insert and cement gas tank assembly between frame rails at rear. Locate and cement engine in place. Cement (chrome) 40 exhaust extensions onto ends of (black) 38 and 39 muffler and tailpipe assembly, left and right. Cement right and left muffler and tailpipe assemblies in place under chassis and onto engine exhausts. Cement (black) 41 shock absorbers (2) to chassis at front. Cement (black) 42 shock absorber arm, right front, to shock absorber and spring. Cement (black) 43 shock absorber arm, left front, to shock absorber and spring. Insert (black) 44 steering arm into frame rail in a horizontal position, then turn down to a vertical position, as shown in drawing. (DO NOT CEMENT.) Snap (black) 45 drag link into hole of steering arm, left, on front axle assembly. (DO NOT CEMENT.) Put in position and cement front axle assembly to bottom of

front springs. Snap 45 drag link onto 44 steering arm. When properly assembled front wheels become steerable. Cement (black) 46 bumper bracket, front, to chassis. Cement (chrome) 47 bumper, front, to bumper bracket. Cement (black) 48 bumper bracket, rear, to chassis. Cement (chrome) 49 bumper, rear, to bumper bracket. Press (black) 50 steering gear and column in place to inside of frame rail. (DO NOT CEMENT.) Cement rear axle assembly in place at springs and front end of drive shaft to transmission. Insert one end of (black) 51 and 52 shock absorber arms, right rear and left rear, to shock absorbers at inside rear of frame rails. Insert other end in holes on rear axle assembly, and cement as shown in drawing. Insert (4) (white) 54 whitewall inserts into (4) vinyl 53 tires. Insert (4) (body color) 56 wheel outer halves into tires. Cement and insert (4) (body color) 55 wheel inner halves into tires. Cement (4) (chrome) 57 hubcaps to outer wheels. Add cement and attach wheels to brake drums. Make sure wheels and brake drums rotate freely.

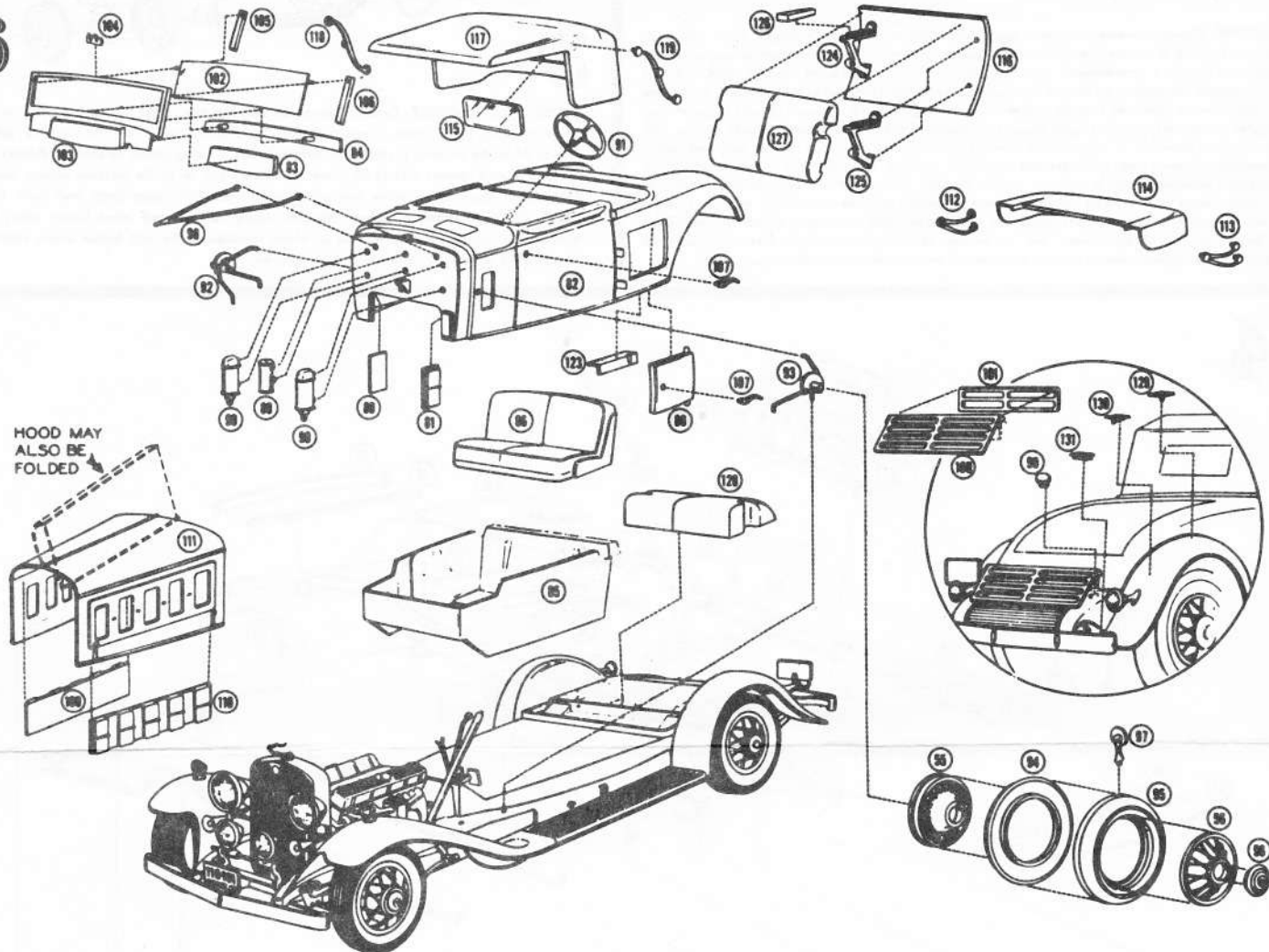
5

FENDER, RADIATOR, LIGHTS, GEAR SHIFT, HANDBRAKE AND PEDAL ASSEMBLY

Turn steering column into an upright position as shown in broken lines on drawing. Drop (black) 58 fender assembly in place on chassis and cement. Turn down steering column to final position as shown in drawing and cement to fender assembly. Cement (black) 59 radiator shutter to (black) 60 radiator core. Cement shutter and core assembly to (chrome) 61 radiator shell. Cement (chrome) 62 radiator screen to radiator shell. Attach and cement radiator assembly to fender assembly. Cement (chrome) 63 radiator ornament to top of radiator shell. Insert (clear) 64 headlight lens (2) into (chrome) 65 headlight retaining rings. Locate and cement lens and retaining rings to (chrome) 66 headlight shells. Cement (chrome) 67 and 68 horns, right and left, to headlight assembly. Cement headlight assembly to fender assembly. Insert and cement (clear) 69 Pilot Ray light lens (2) to (chrome) 70 Pilot Ray driving lights. Cement Pilot Ray assembly to fender assembly. Cement (chrome) 71 parking lights (2) to top of front fenders. Cement (chrome) 72 taillight and license plate bracket, left, to left rear fender. Cement (chrome) 73 taillight, right, to right rear fender. Cement (black) 74 license plate to license plate bracket on left taillight. Cement (black) 75 license plate to front bumper bracket. Insert and cement (chrome) 76 accelerator pedal, (chrome) 77 brake and clutch pedal assembly, (chrome) 78 gear shift lever, and (chrome) 79 hand brake to floor of fender assembly.



6



INTERIOR, BODY, HOOD, WINDSHIELD, SIDE MOUNT TIRES, LUGGAGE RACK, TOP DOWN AND TOP UP. Cement (black) 128 rumble seat bottom cushion to fender assembly. Cement (chrome) 80 right and 81 left side cowl ventilators into (body color) 82 body. Install (black) 85 interior into body. Cement (black) 83 instrument panel and insert into (chrome) 103 instrument panel-windshield frame. Install (black) 84 instrument panel trim. Place (clear) windshield 102 into windshield frame and cement (chrome) 105 right and 106 left windshield frame rear halves in place. NOTE: Do not allow cement to get on windshield hinge pins. Install complete windshield-instrument panel assembly in body. Cement (chrome) 124 right and 125 left rumble seat armrest brackets into location on (body color) 116 deck lid. Apply petroleum jelly to rumble seat hinge pins on body and install deck lid. Cement (black) 127 rumble seat back cushion to deck lid. Cement (2) (black) 126 armrest pads onto armrest brackets and check operation of rumble seat. Cement (chrome) 89 oil filter and (2) (chrome) 90 vacuum fuel pumps to firewall of body. Place (body color) 87 right and 88 left golf bag compartment doors into location in body and cement (black) 122 right and 123 left golf compartment hinge brackets to body to retain doors. NOTE: Do not allow cement to get on hinge pins. Carefully cement body into position on fender assembly. Cement (black) 91 steering wheel onto steering column. Locate (black) 86 front seat into interior. Cement (black) 92 right

and 93 left spare tire carriers to sides of body and fender assembly. Cement (2) (black) 94 spare tire covers-inner to (2) (black) 95 spare tire covers-outer. Insert (2) (body color) 56 wheel outer halves into spare tire covers. Cement (2) (body color) 55 wheel inner halves into other side of covers. Cement (2) (chrome) 96 spare tire hubcaps to outer wheels. Cement (2) (chrome) 97 tire mount rear view mirrors to top of spare tire covers. Locate and cement spares into wheel wells on fender assembly. Install (chrome) 98 radiator support rod to radiator and firewall. Cement (chrome) 99 gas cap to rear of fender assembly. Cement (chrome) 100 luggage carrier-front half and 101 luggage carrier-rear half together and position on rear of fenders as shown. Open the hole in right rear fender from below and install (chrome) 129 step pad-upper and 130 step pad-center. Cement (chrome) 131 step pad-lower to rear bumper bracket. Cement (chrome) 104 rear view mirror to windshield frame. Locate (2) (chrome) 108 right and (2) 107 left door handles to doors on body and golf bag compartment. Cement (chrome) 109 right and 110 left hood parts into inside of (body color) 111 hood and place hood onto body. Cement (chrome) 112 right and 113 left folded roof landou in place on (black) 114 convertible boot. Cement (clear) 115 backlite to inside of (black) 117 roof. Cement (chrome) 118 right and 119 left erected roof landous to roof and place either the roof or boot on body.

PAINT SUGGESTIONS. Your model is already molded in actual colors and may be assembled without painting. In their day, these exquisite motor cars were ordered in a wide variety of body colors to suit the personal preference of the purchaser. For added realism, you may consider adding these colors used on the details of the actual cars: Instrument panel trim—wood grain area was a light burl. Hood handles, hood latches,

interior door handles, window cranks, ash trays, running board battery box handles, tool box handles and spare tire trim were silver. Running board courtesy lights were white. Center detail in the four wheel hubcaps, crest on the radiator screen and tail-light lenses were red. Firewall area of the body was black. In 1931, the Michigan license plate had a red border and lettering on a black background.