

MERKAVA II

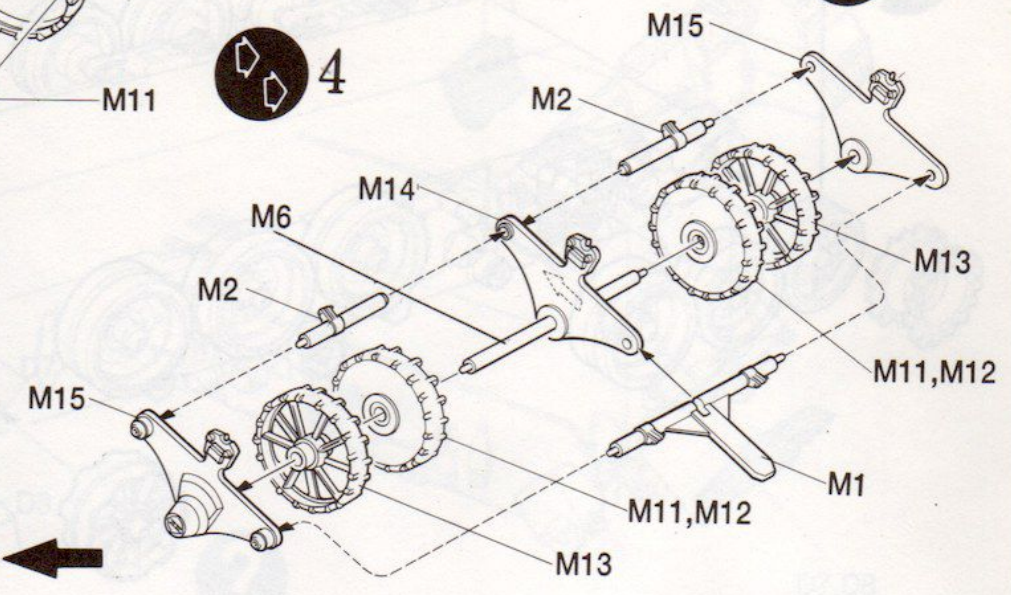
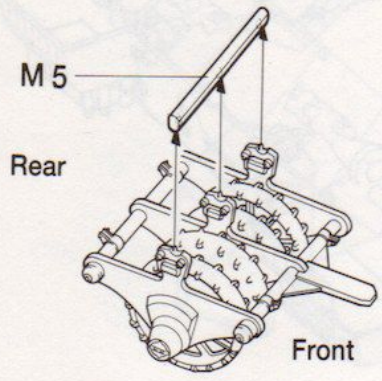
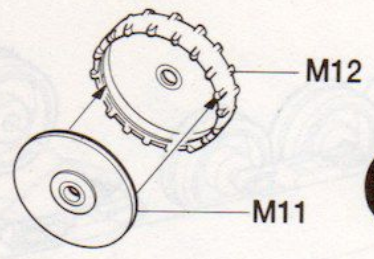
WITH KMT-4 MINE ROLLER ATTACHMENT

Without doubt, the Israelis are the best at modifying, improving and "customizing" a battle tank. From a few old M4 Sherman tanks in 1948, the IDF has grown to be one of the most effective armored forces in the world.

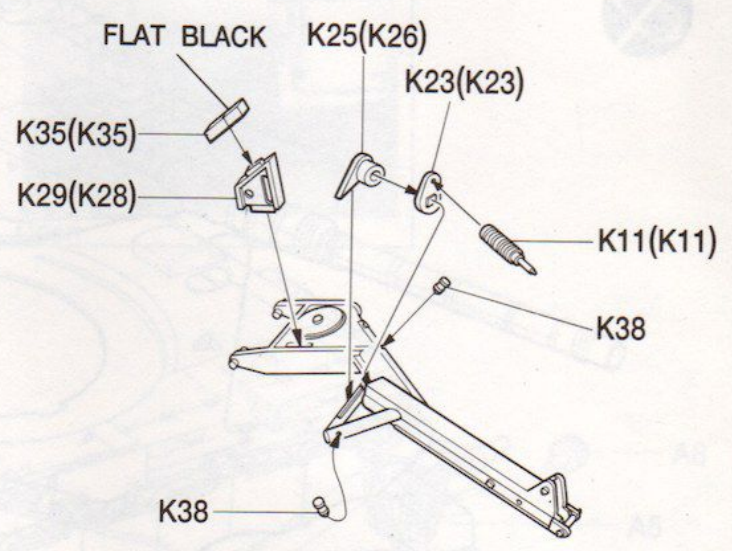
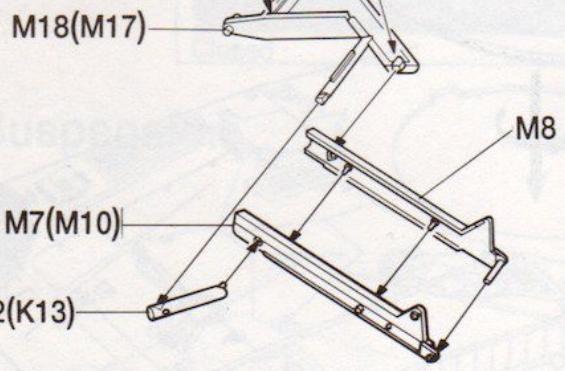
The IDF only has about 300 **Merkava** tanks in its inventory, with the rest of its 4,000 Main Battle Tanks composed of Centurions and M60 Pattons that have been extensively upgraded and protected with reactive armor. The **MERKAVA II** has to be compared to the early 50's American Hot Rod which was a collection of pieces and parts from many different brands of cars. So it is with the **Merkava** tanks. There are parts from England, Russia and the USA. The novel frontal placement of the *Teledyne Continental* engine is pure Israeli along with much of the hull and armor plating fabrication. The net result is one very powerful and heavy tank that has gone up against the best of the USSR and survived to fight another day.

Because parts of Lebanon appeared to be paved with land mines, the **KMT-4** mine roller was developed. Unlike mine plows which are more popular in the West, the **KMT-4** with its articulated rollers is capable of sweeping a hilly surface at greater speed. After all, it's easier to push something on wheels than plowing a series of furrows through the ground. The gap between the two roller assemblies is handled by a heavy steel roller hanging on a chain between the wheeled assemblies. Bouncing along, it is quite effective in detonating mines missed the rollers.

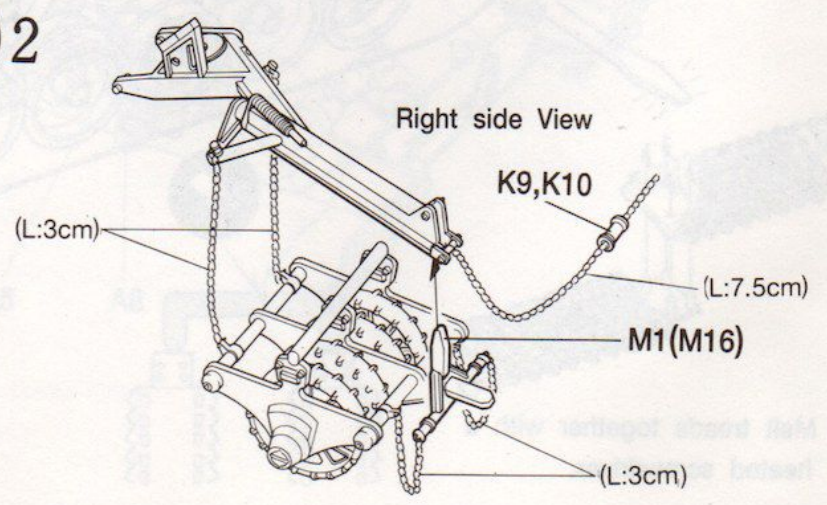
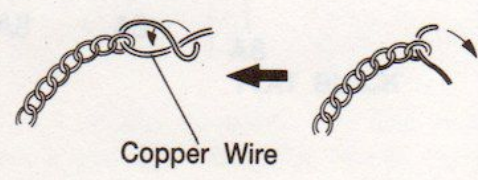
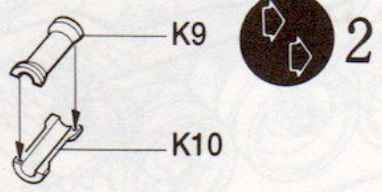
18 Roller Assembly



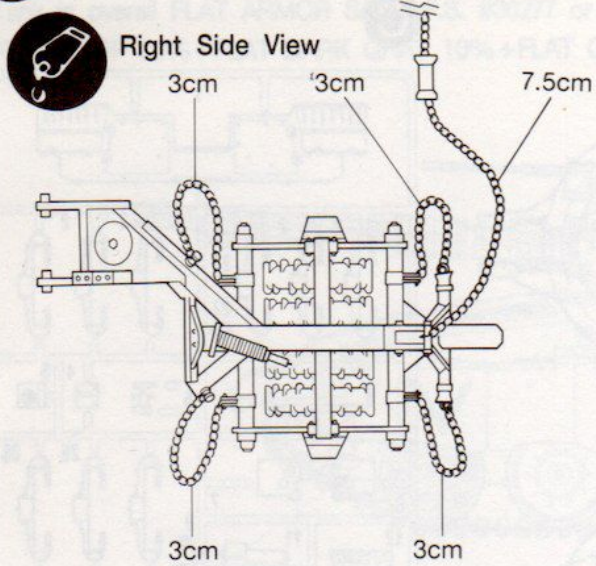
19 Mount Assembly



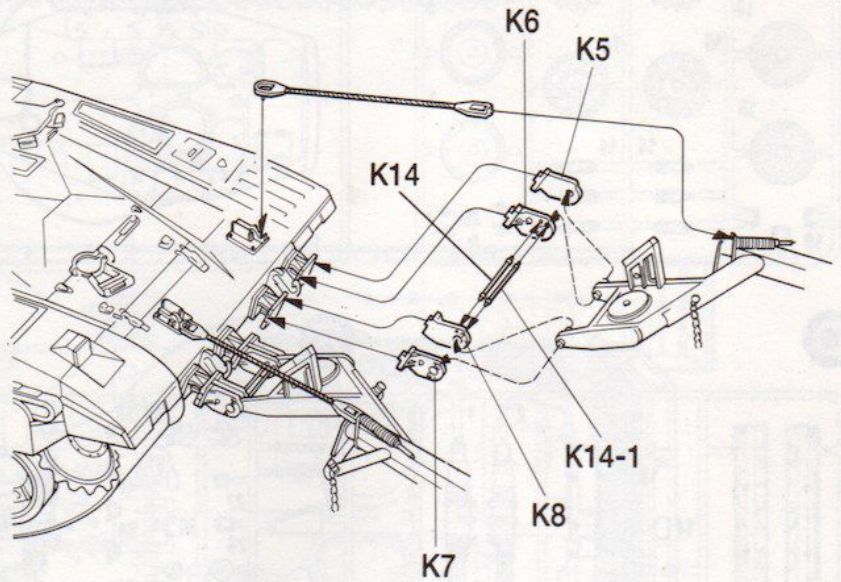
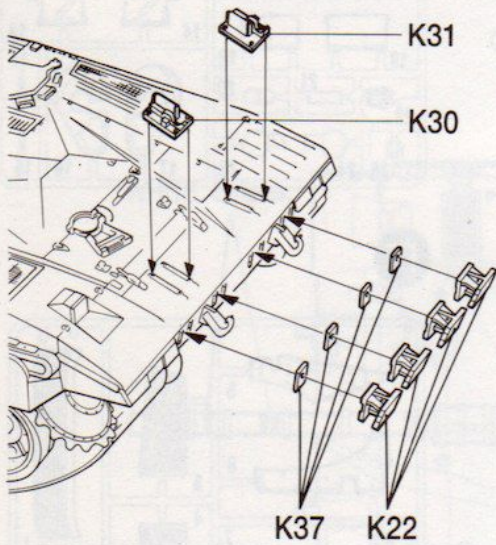
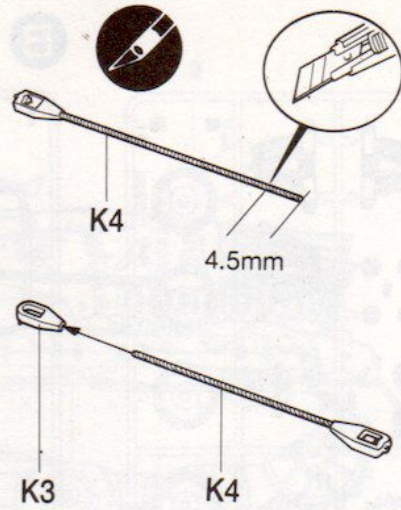
20 Chain Attachment



21 Final Assembly



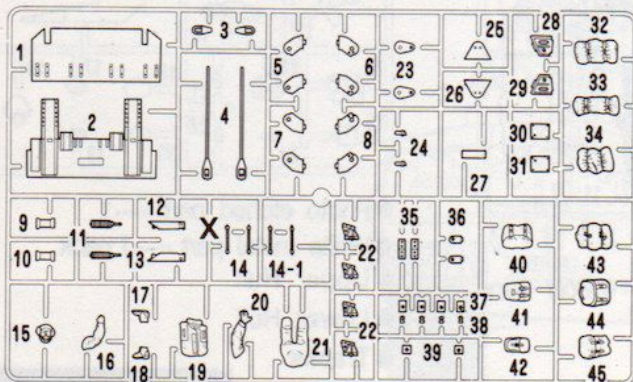
2



- Paint Accessories : KHAKE or OLIVE DRAB
- Paint Overall FLAT ARMOR SAND F.S.#30277 or FLAT BUFF 80% + FLAT DARK GRAY 10% + FLAT GREEN 10%

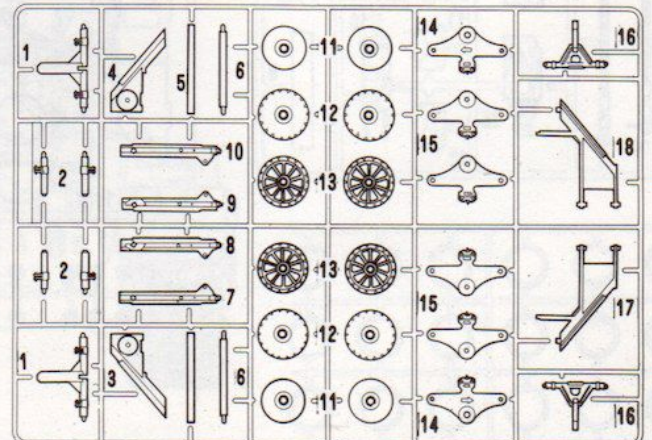
MINE ROLLER PARTS LOCATING DIAGRAM

K

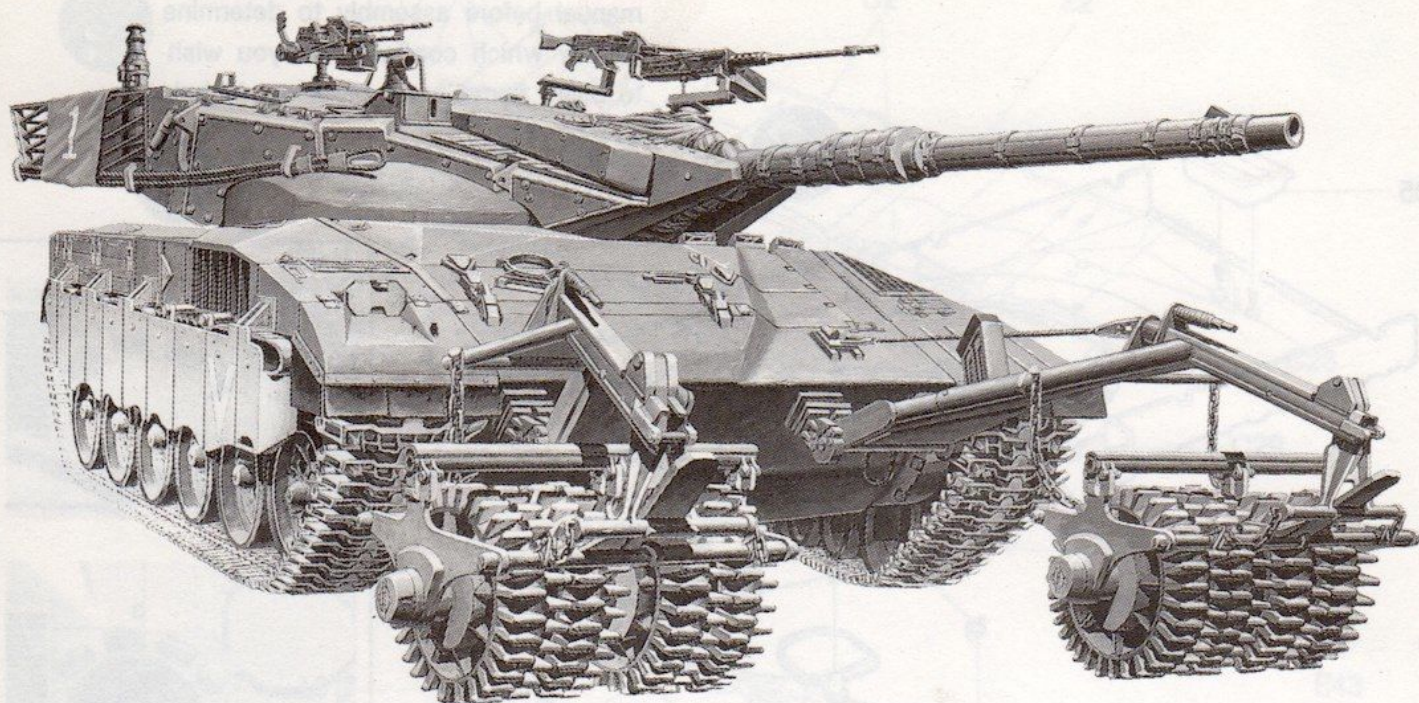


- Chain1
- Copper Wire1

M



※ Unused Parts : K1,K2,K24,K27,K36,K39,X



MERKAVA II

WITH KMT-4 MINE ROLLER ATTACHMENT

**For assembly instructions for the tank, look for:
Academy/Minicraft Merkava II Israeli Main Battle Tank No. 1351**

<https://www.scalemates.com/kits/academy-minicraft-1351-merkava-ii--107536>