

Clear Prop!

EXPERT



A5M2B  
CLAUDE



1:72  
model # 72008



scale model kit

SPAN: 153 mm



LENGTH: 105 mm



NUMBER OF PARTS: 202 pcs

- 1** stages of assembly **?** optional
- A** variants of assembly glue by super glue
- A1** part number do not glue
- 1** separate details make a hole
- 1** apply decals detach with knife
- 1** apply the adhesive mask paint
- bend repeat the operation N times

Role	Carrier-based fighter
Manufacturer	Mitsubishi Heavy Industries, Ltd
Designer	Jiro Horikoshi
First flight	4 February 1935
Introduction	1936
Retired	1945
Primary user	Imperial Japanese Navy Air Service
Number built	1,094

The Mitsubishi A5M, formal Japanese Navy designation Mitsubishi Navy Type 96 Carrier-based Fighter, experimental Navy designation Mitsubishi Navy Experimental 9-Shi Carrier Fighter, company designation Mitsubishi Ka-14, was a Japanese carrier-based fighter aircraft. It was the world's first monoplane shipboard fighter to enter service and the direct predecessor of the famous Mitsubishi A6M "Zero". The Allied reporting name was Claude.

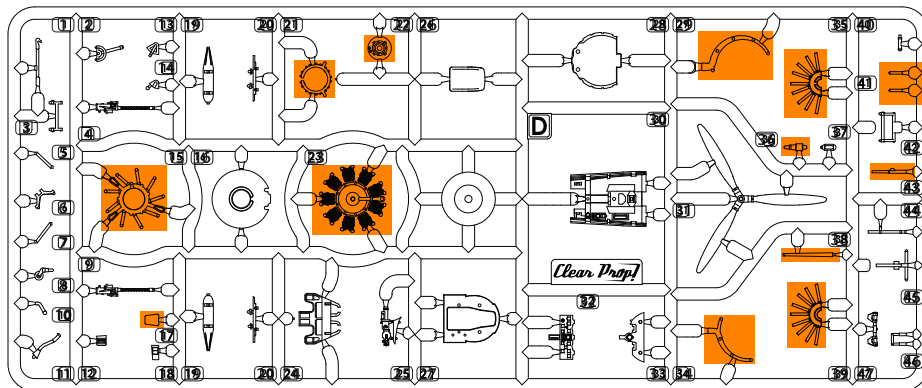
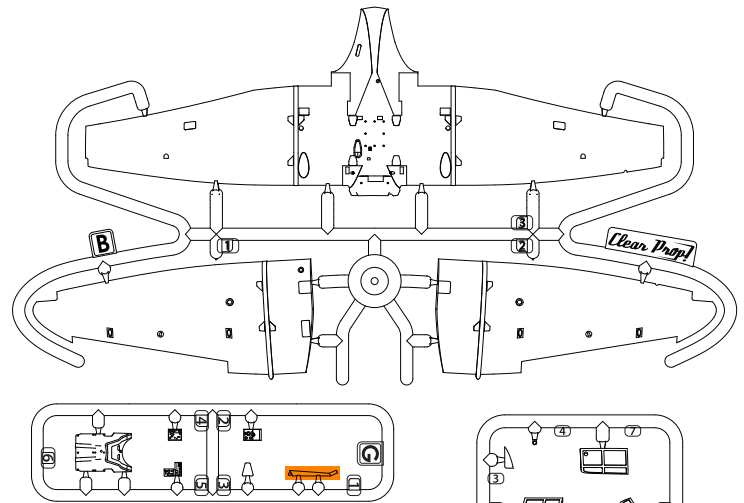
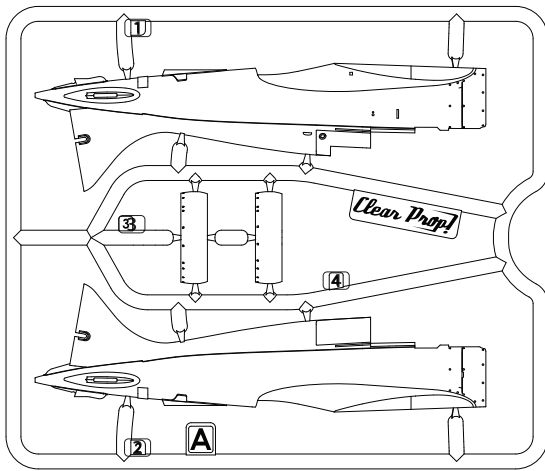
In 1934, the Imperial Japanese Navy prepared a specification for an advanced fighter, requiring a maximum speed of 350 km/h at 3,000 m and able to climb to 5,000 m in 6.5 minutes. This 9-shi (1934) specification produced designs from both Mitsubishi and Nakajima.

Mitsubishi assigned the task of designing the new fighter to a team led by Jiro Horikoshi. The resulting design, designated Ka-14 by Mitsubishi, was an all-metal low-wing fighter. The first prototype, powered by a 600 hp Nakajima Kotobuki 5 radial engine, flew on 4 February 1935. The aircraft far exceeded the requirements of the specification, with a maximum speed of 450 km/h being reached. The second prototype was fitted with a revised, ungulled wing, and was ordered into production as the A5M.

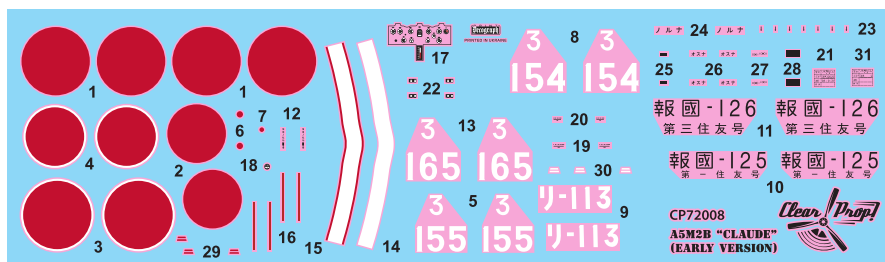
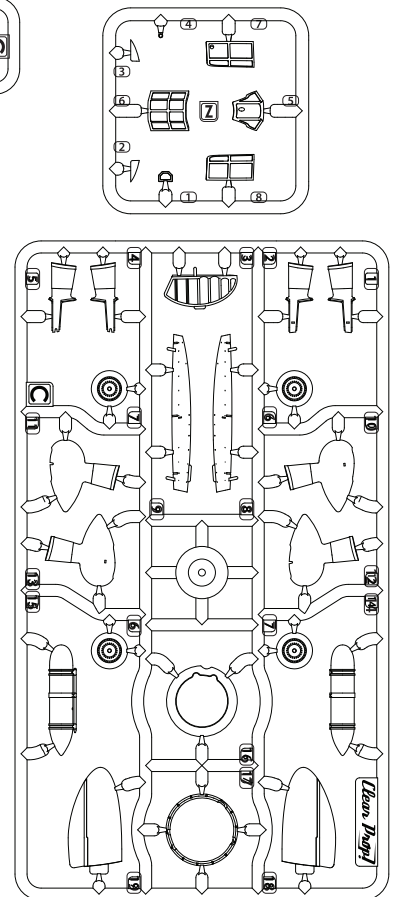
### REQUIRED PAINTS

- |                                   |                             |                                    |                                    |   |   |                                  |                                   |
|-----------------------------------|-----------------------------|------------------------------------|------------------------------------|---|---|----------------------------------|-----------------------------------|
| <b>A</b> MR. COLOR 8 SILVER       | <b>B</b> MR. COLOR 3 RED    | <b>C</b> MR. COLOR 47 CLEAR RED    | <b>D</b> MR. COLOR 50 CLEAR BLUE   | <b>E</b> MR. COLOR 131 PROPELLER COLOR            | <b>F</b> MR. COLOR 125 COWLING COLOR        | <b>G</b> MR. COLOR 28 STEEL      | <b>H</b> MR. COLOR 41 RED BROWN   |
| <b>I</b> MR. COLOR 124 DARK GREEN | <b>J</b> MR. COLOR 336 HEMP | <b>K</b> MR. COLOR 133 LIGHT BROWN | <b>L</b> MR. COLOR 2 BLACK SCHWARZ | <b>M</b> MR. COLOR 126 COCKPIT COLOR (MITSUBISHI) | <b>N</b> MR. COLOR 35 IJN GRAY (MITSUBISHI) | <b>O</b> MR. COLOR 61 BURNT IRON | <b>P</b> MR. COLOR 137 TIRE BLACK |

THIS MODEL IS PRODUCED FOR EXPERIENCED MODELERS OVER 14 YEARS

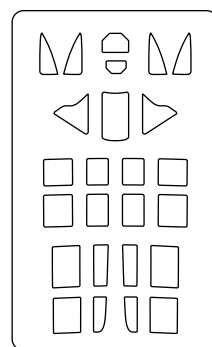
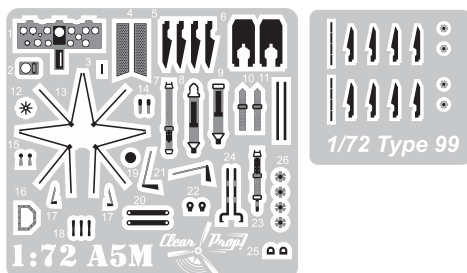


DECAL SHEET

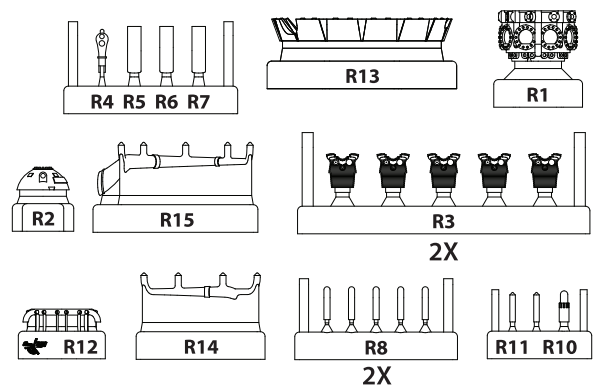


PHOTOETCHED PARTS

MASKS

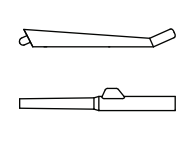


RESIN PARTS

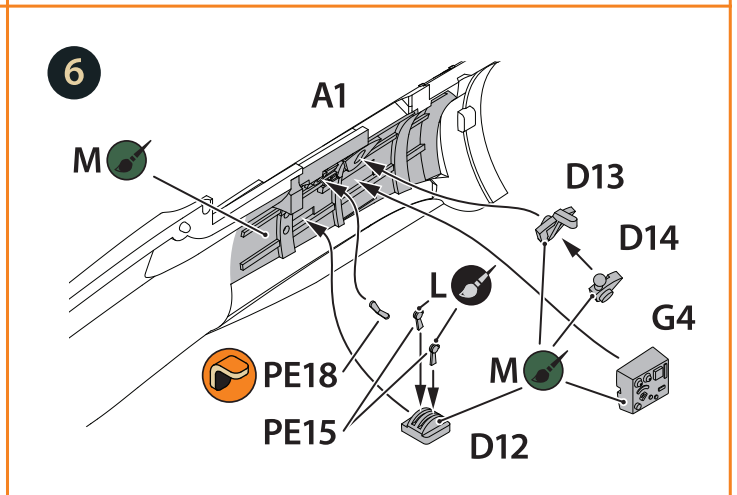
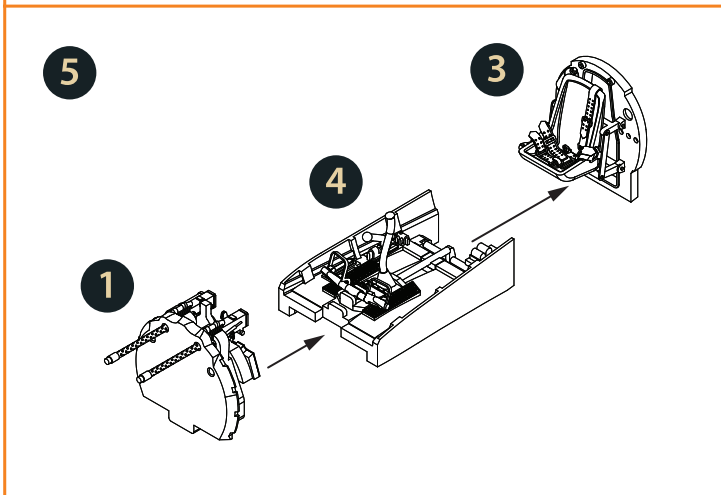
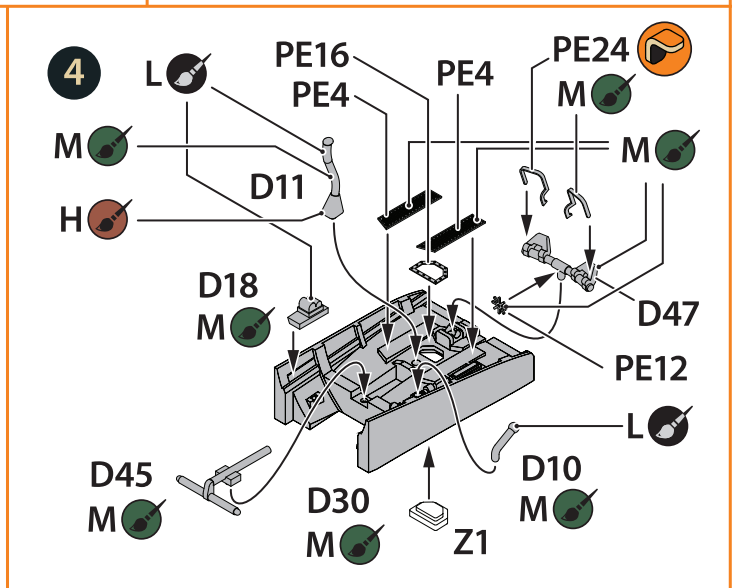
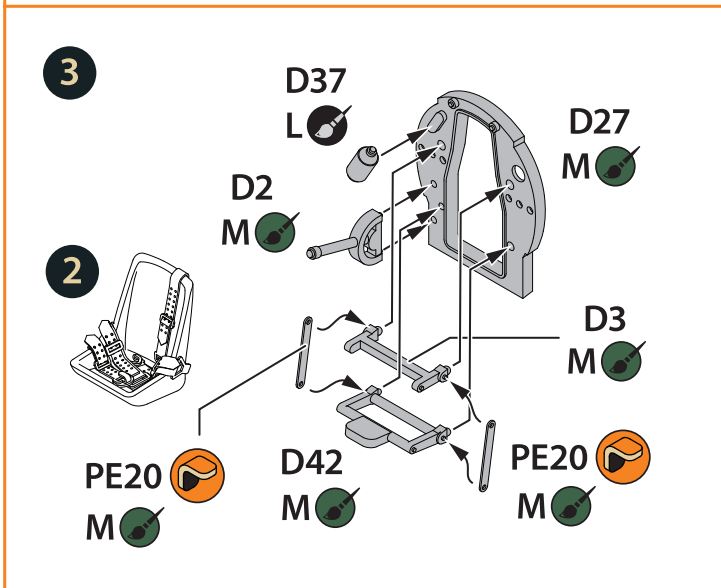
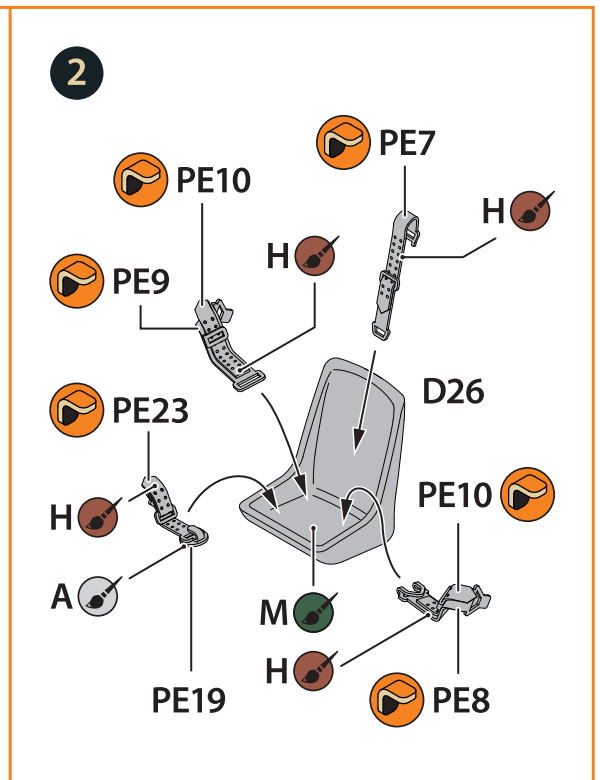
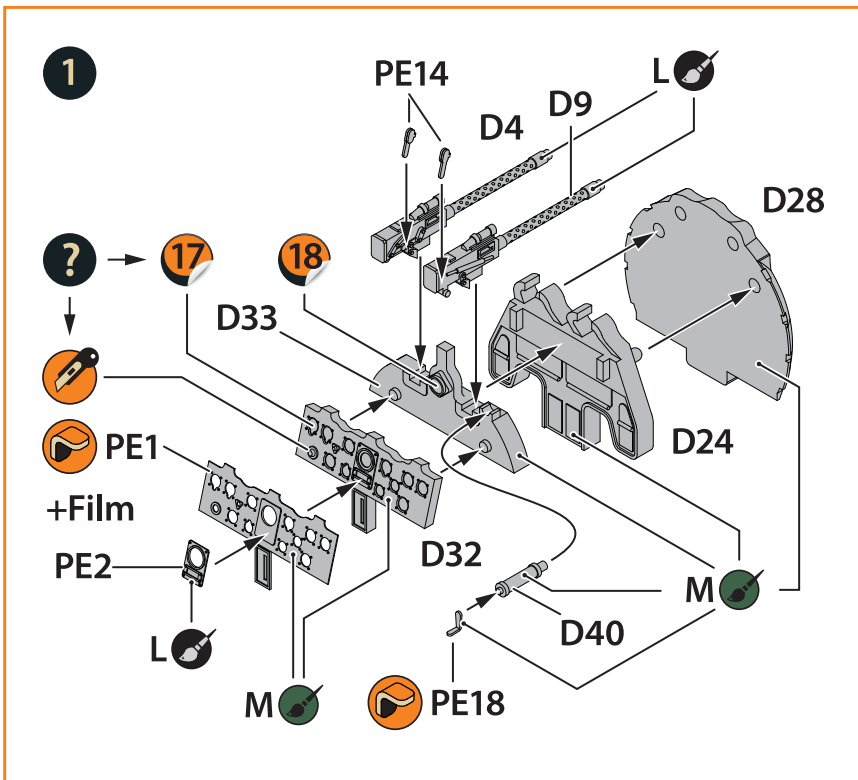


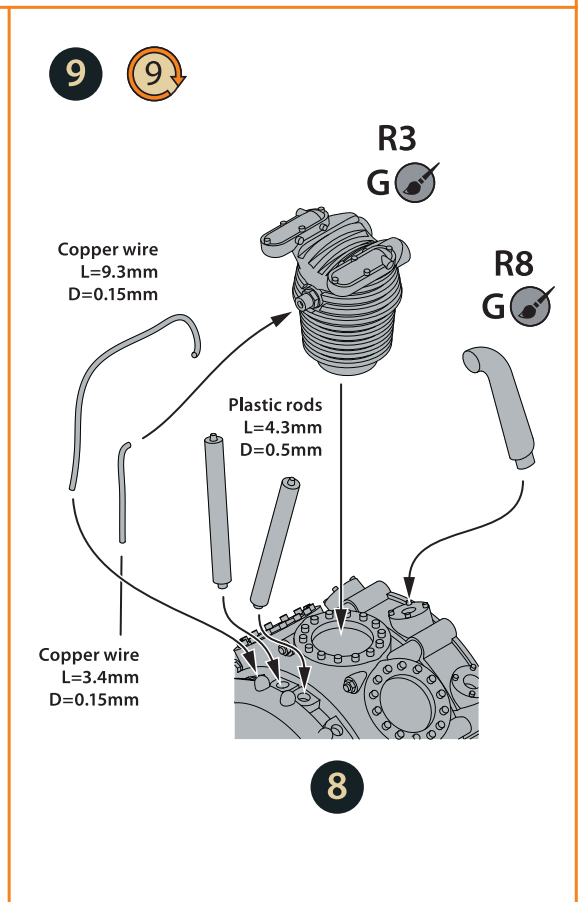
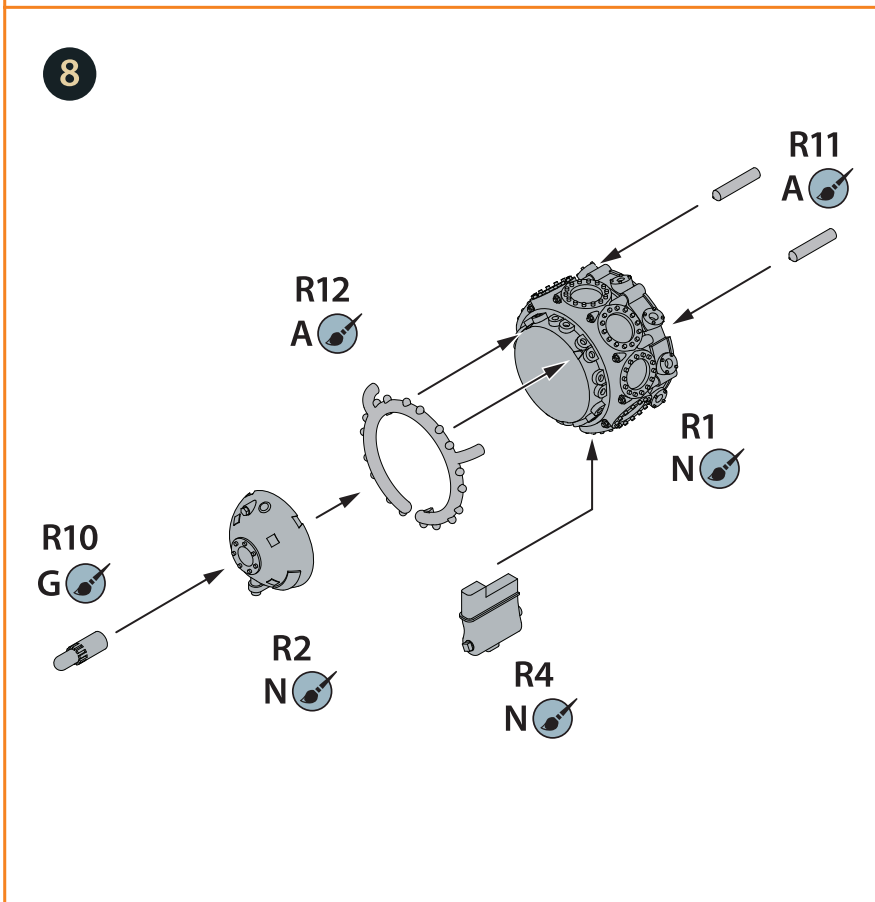
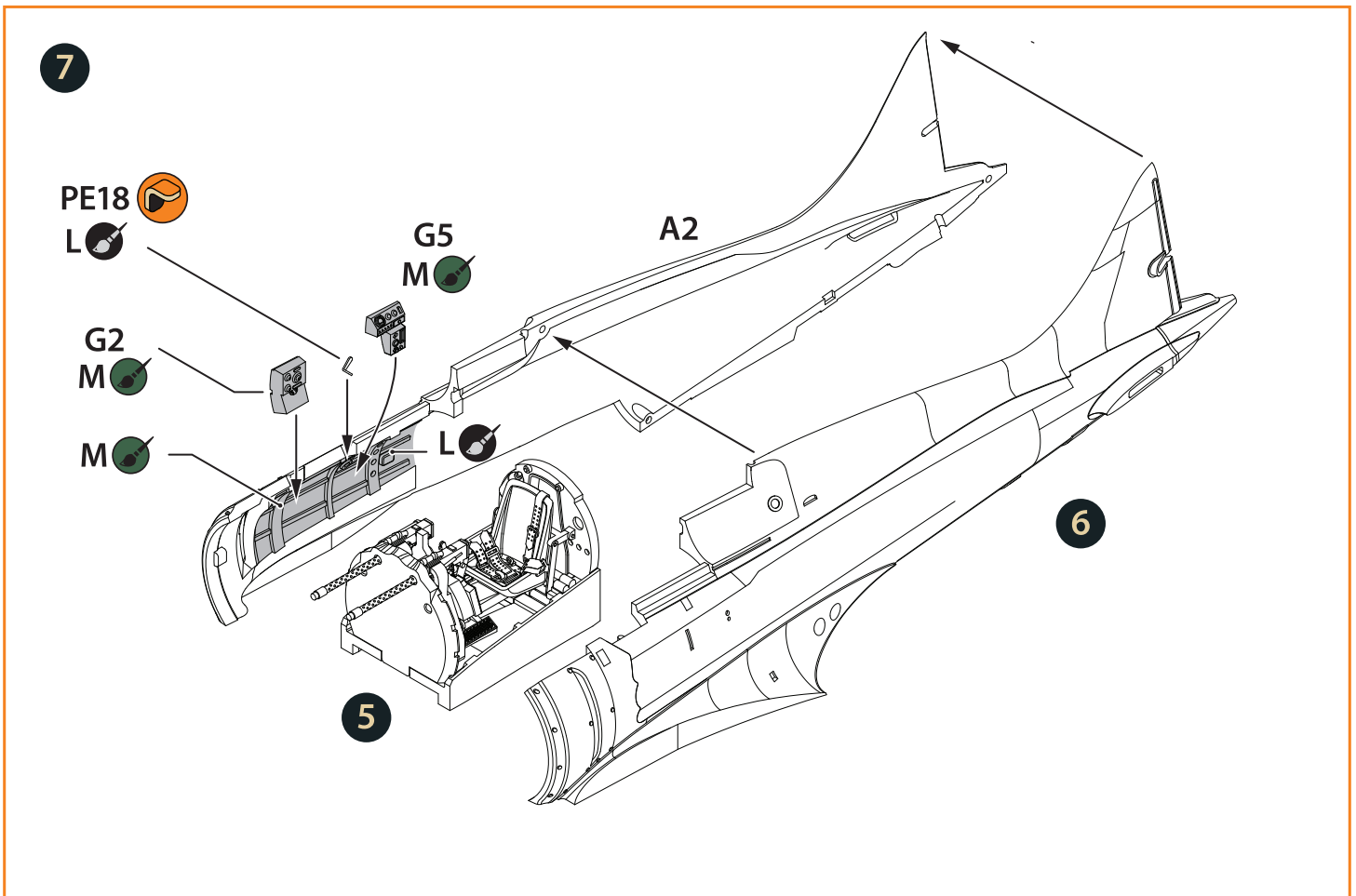
CLEAR FILM

BRASS PARTS

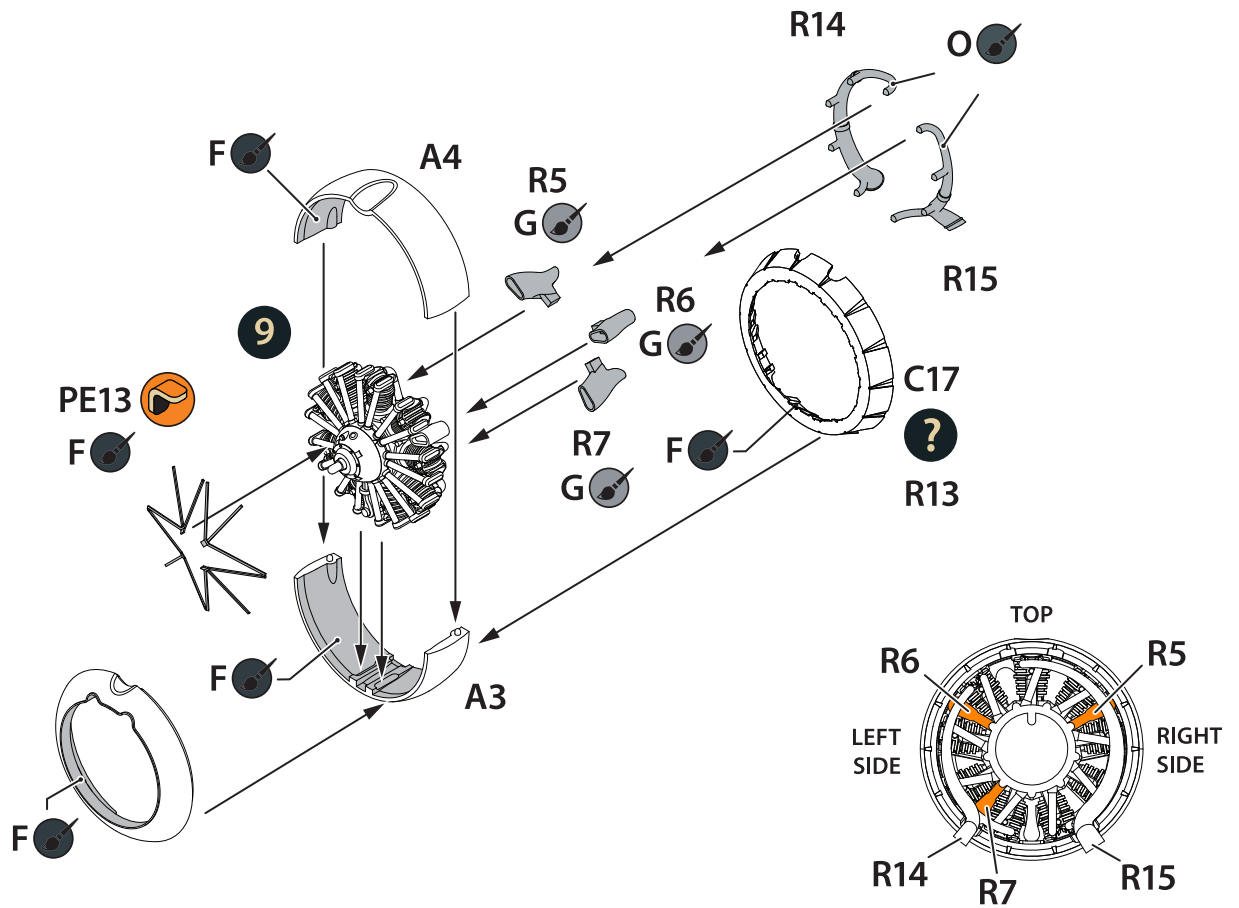


Parts not for use



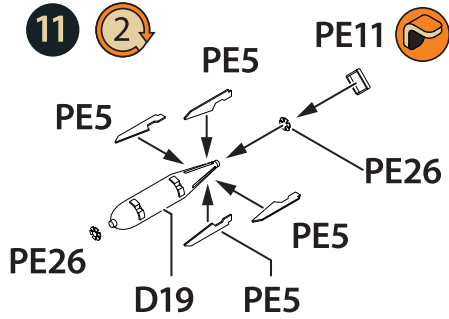


10

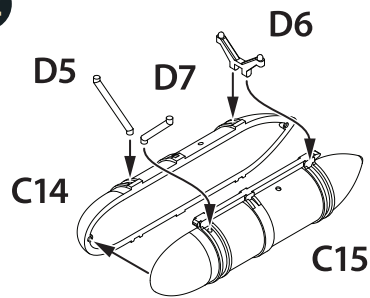


C16

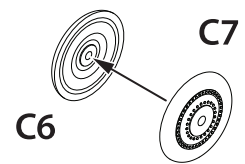
11 2



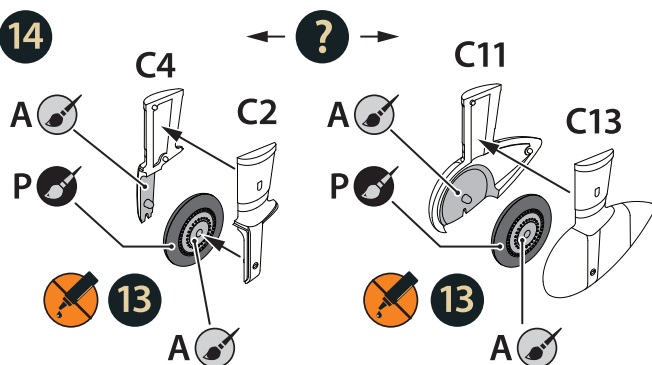
12



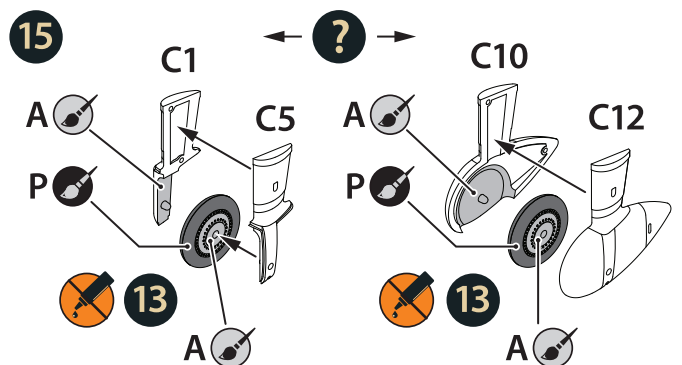
13 2



14

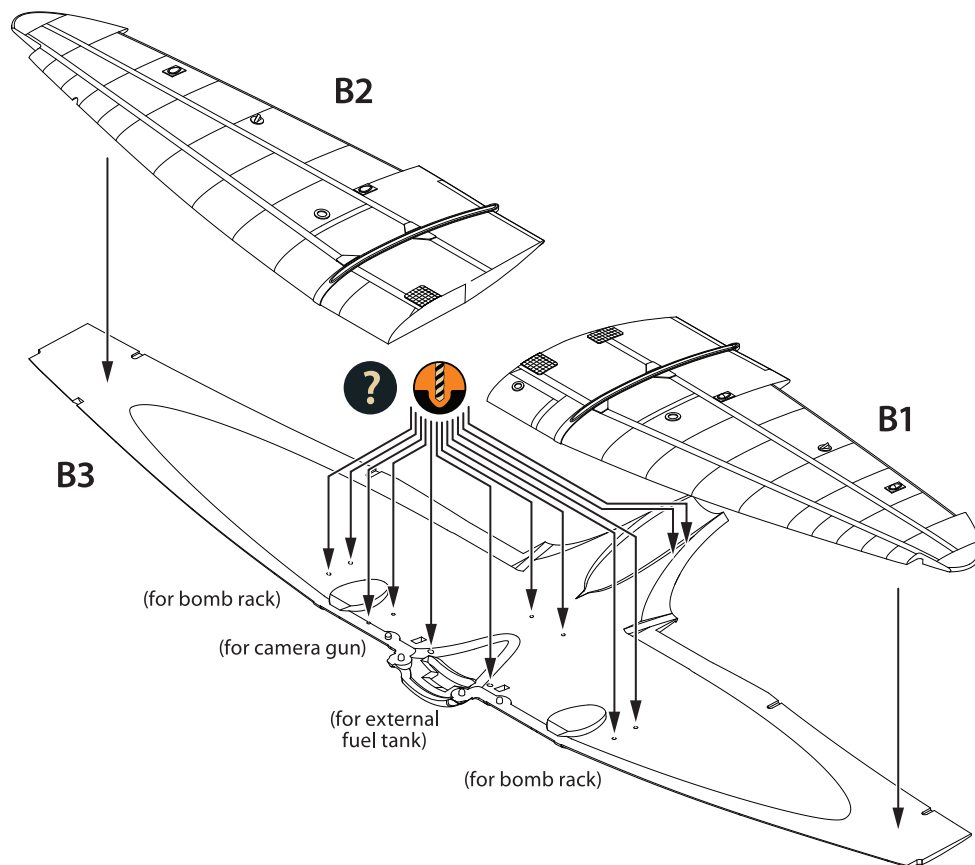


15

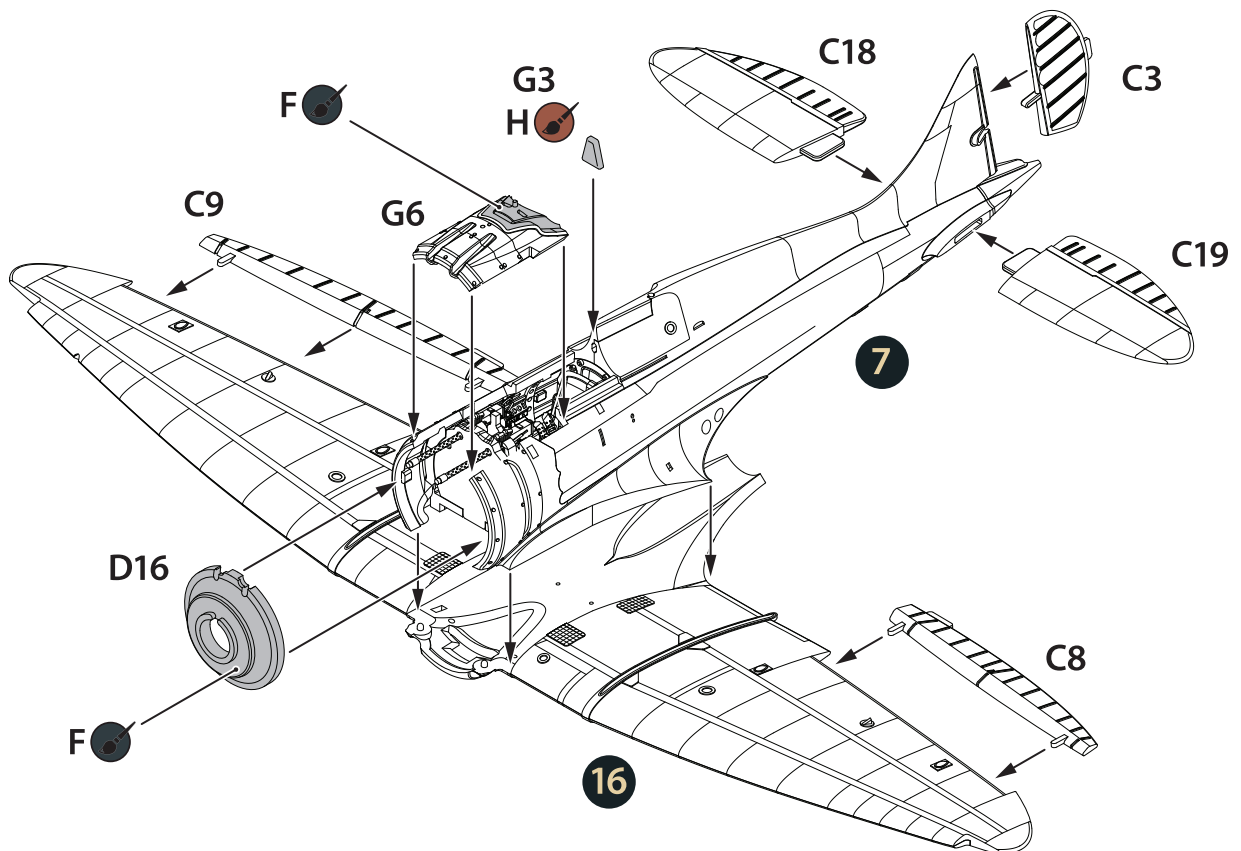


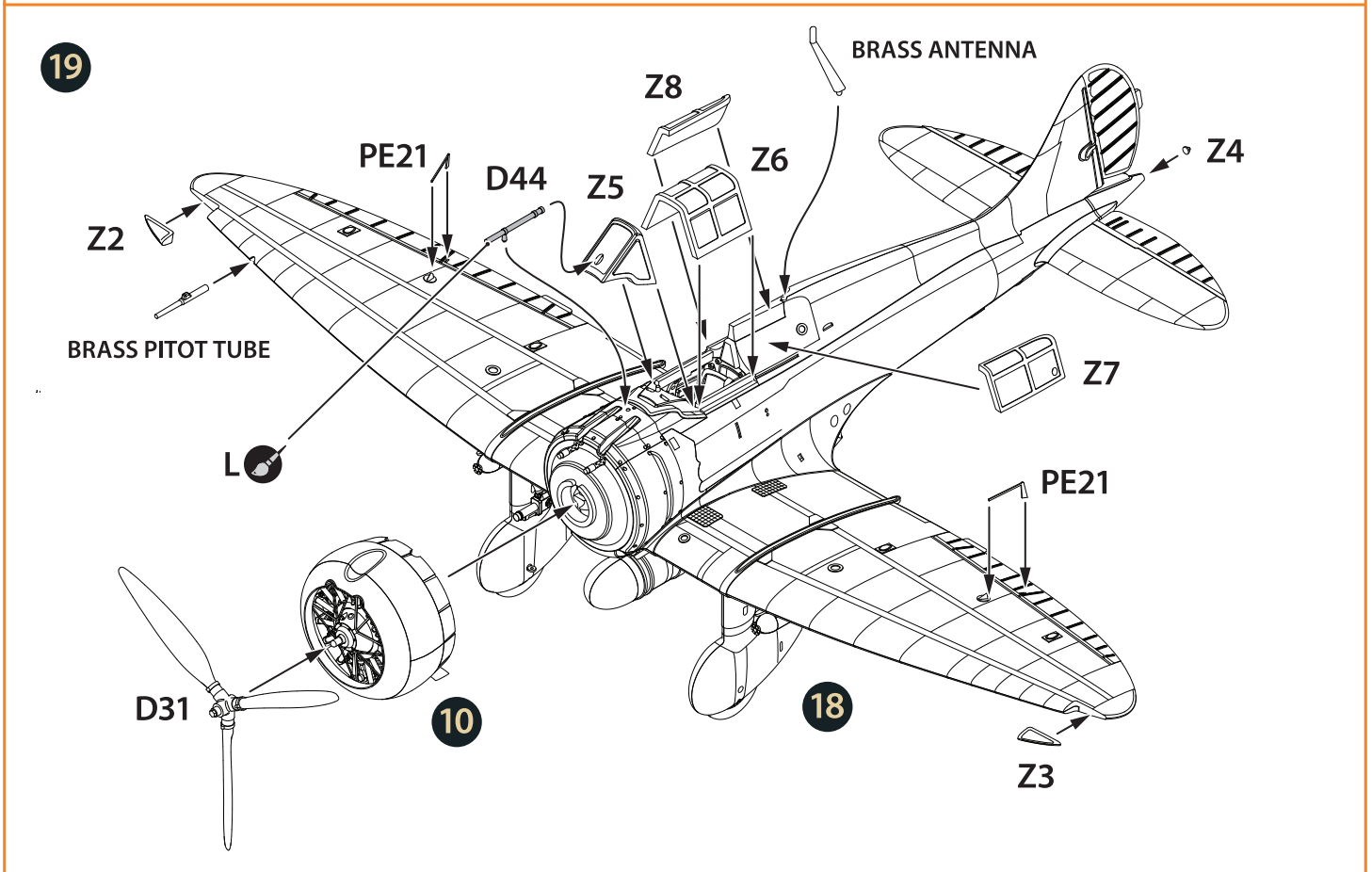
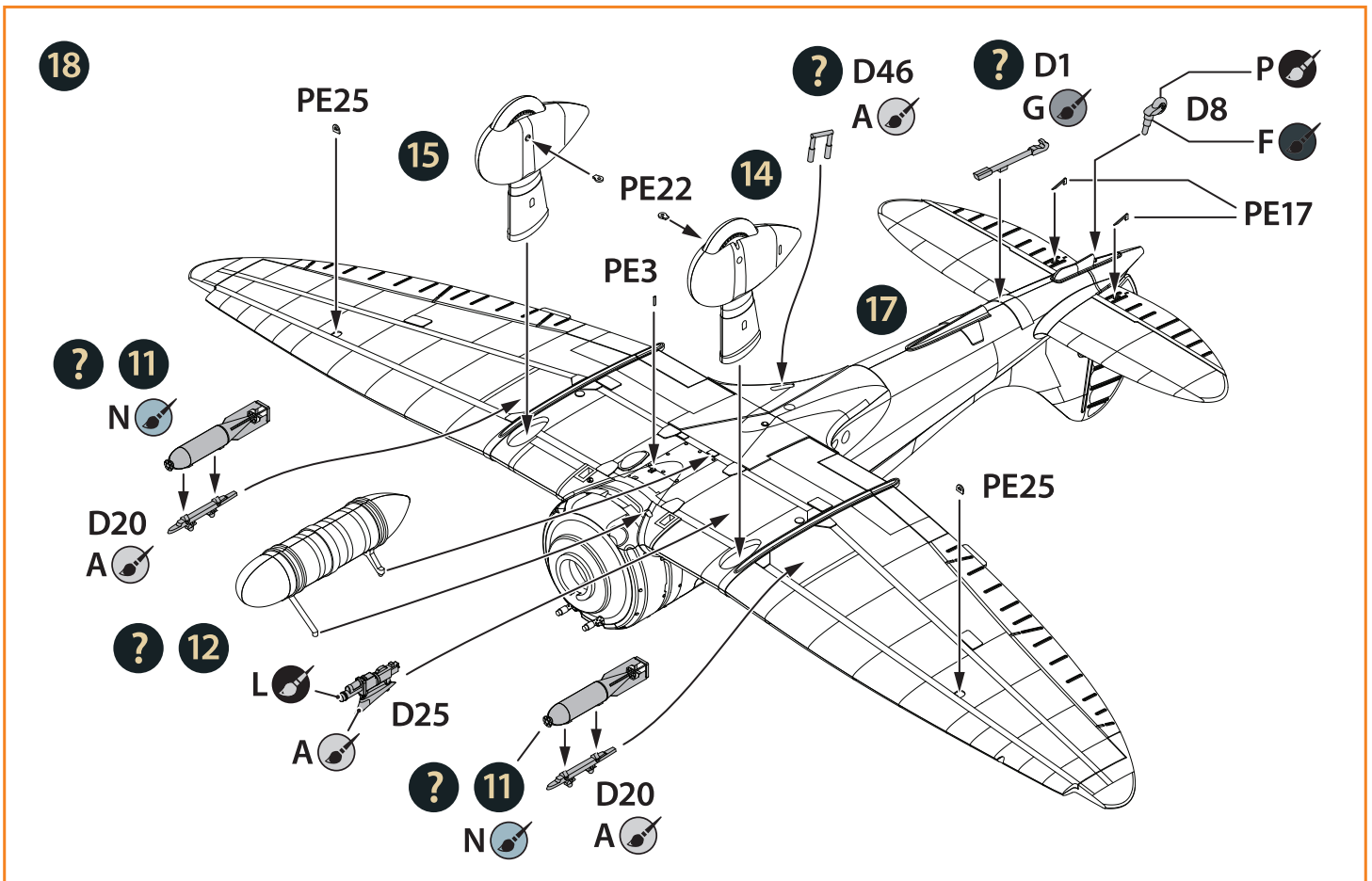


16



17







MR. COLOR 8  
SILVER



MR. COLOR 3  
RED



MR. COLOR 47  
CLEAR RED



MR. COLOR 50  
CLEAR BLUE



MR. COLOR 131  
PROPELLER COLOR



MR. COLOR 125  
COWLING COLOR

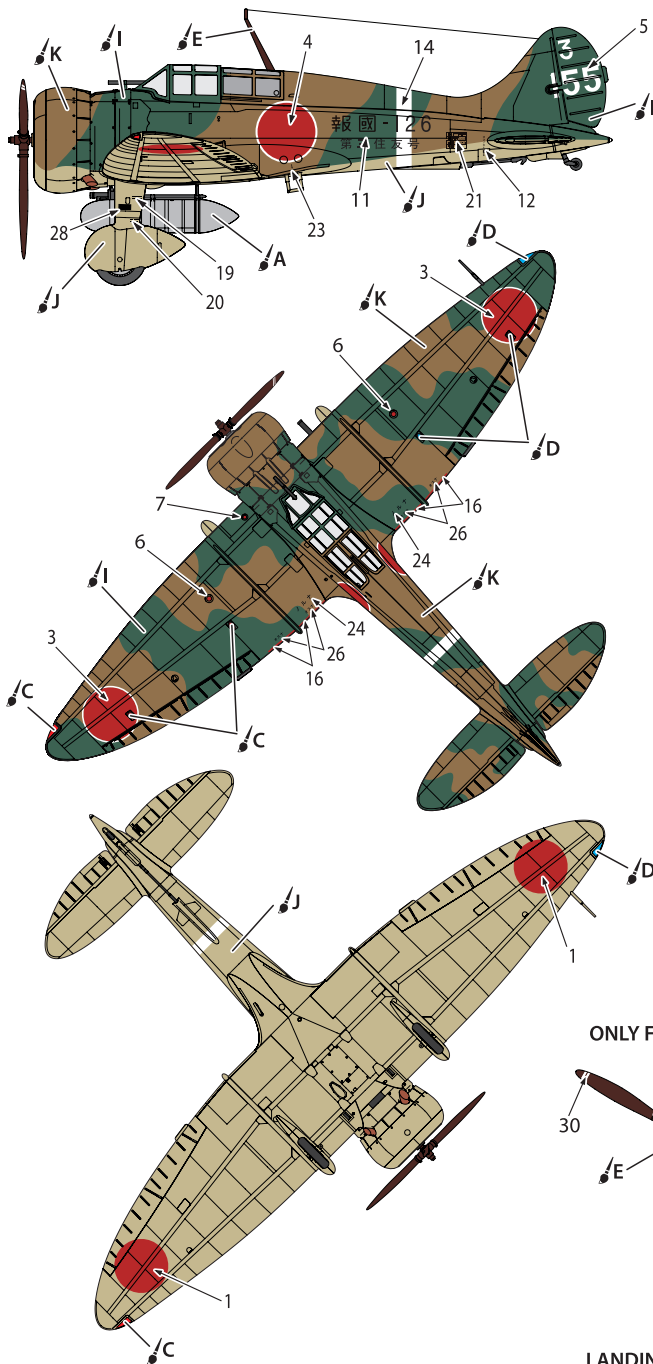


MR. COLOR 28  
STEEL

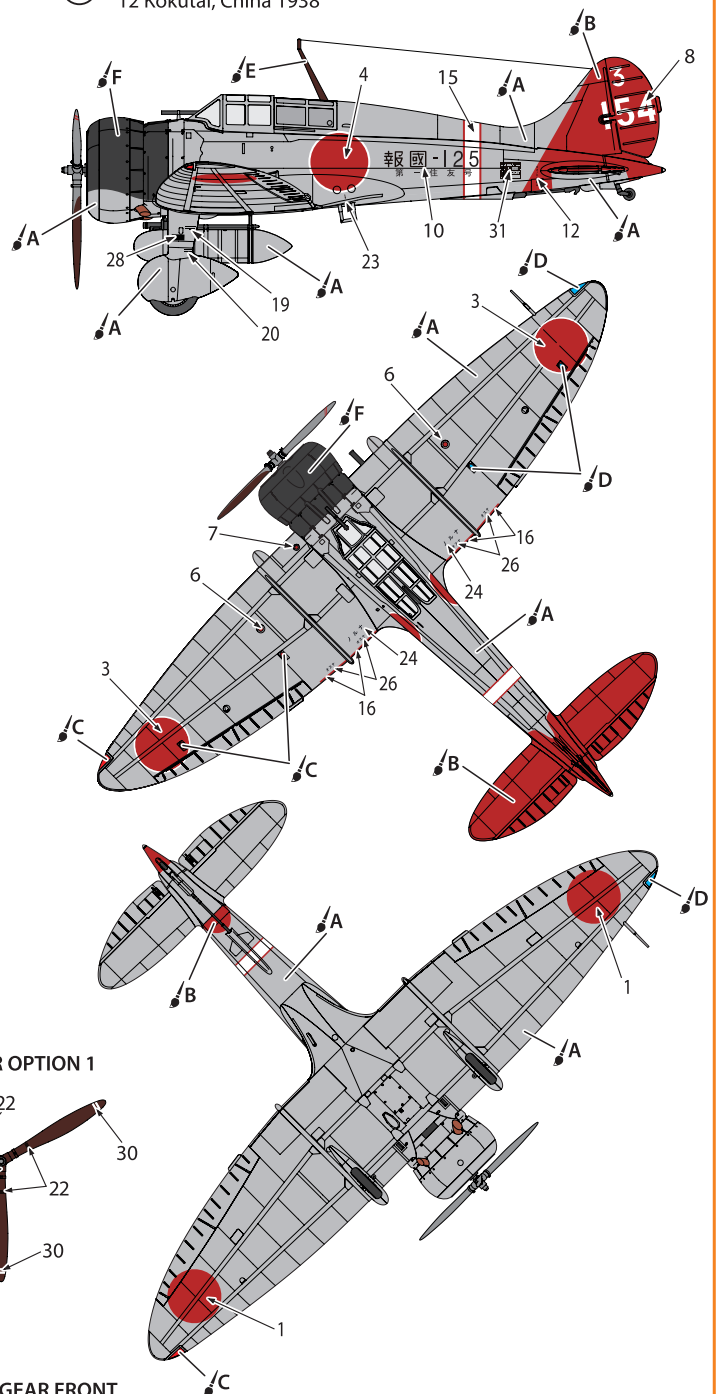


MR. COLOR 41  
RED BROWN

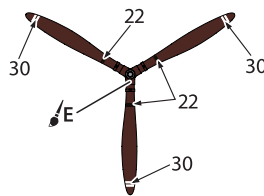
① IJN Type 96 carrier-based fighter II  
12 Kokutai, China 1938



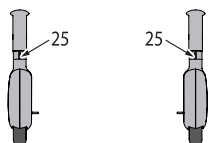
② IJN Type 96 carrier-based fighter II  
12 Kokutai, China 1938



ONLY FOR OPTION 1



LANDING GEAR FRONT



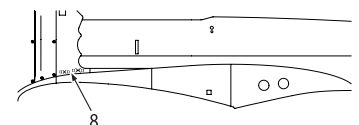
MR. COLOR 124  
DARK GREEN



MR. COLOR 336  
HEMP

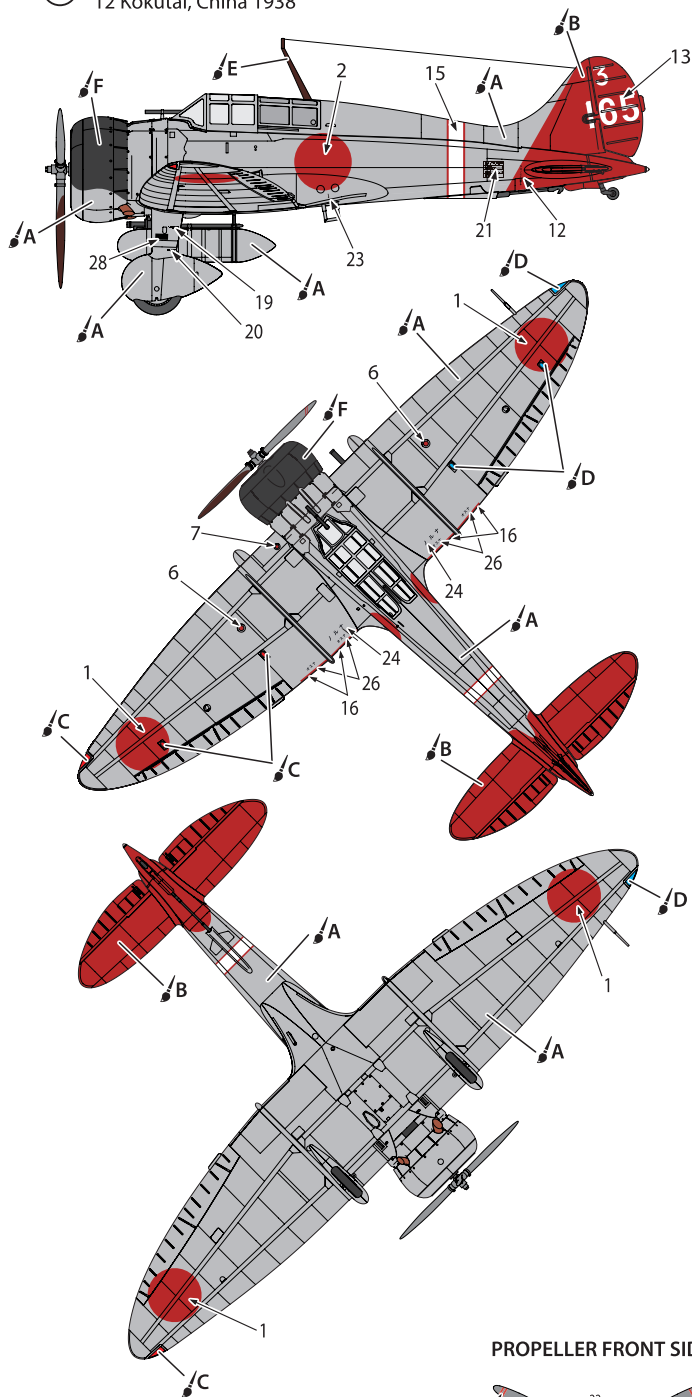
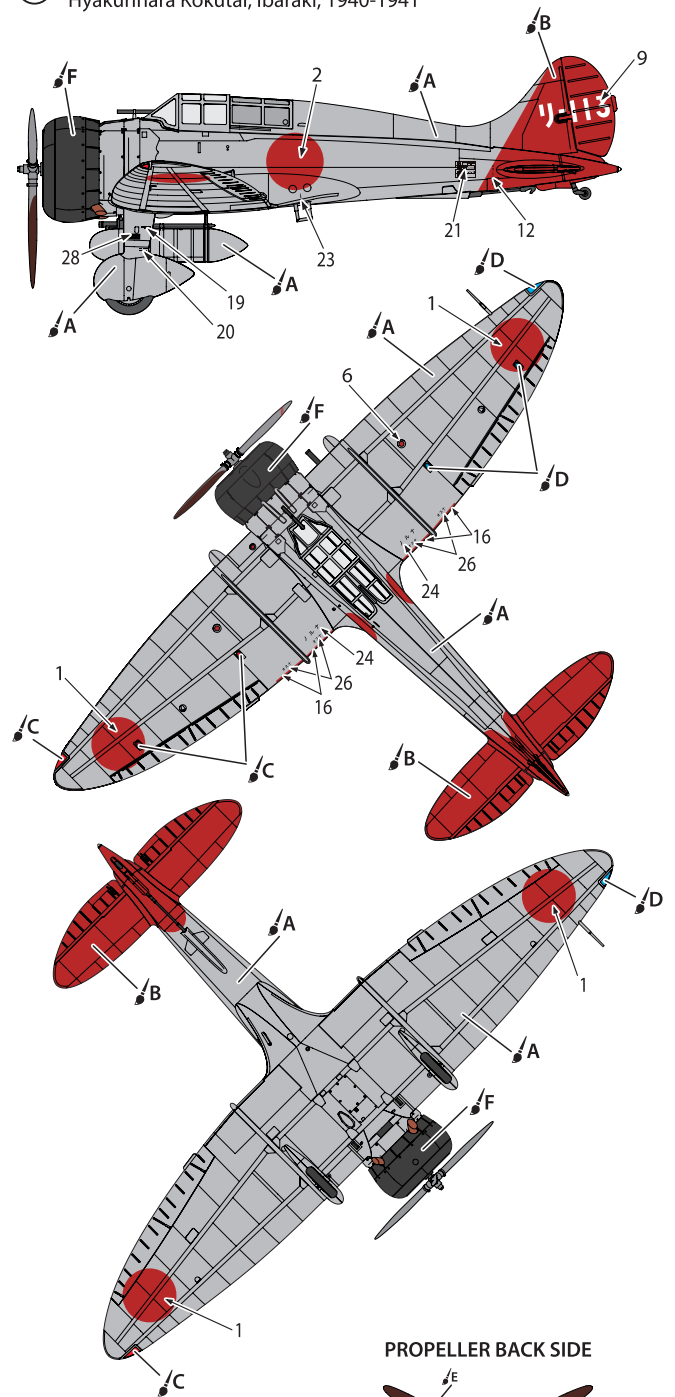


MR. COLOR 133  
LIGHT BROWN

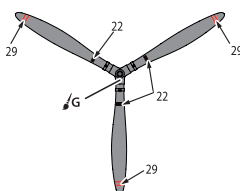




- |                       |                    |                           |                            |                                  |                                |                       |                           |
|-----------------------|--------------------|---------------------------|----------------------------|----------------------------------|--------------------------------|-----------------------|---------------------------|
| A                     | B                  | C                         | D                          | E                                | F                              | G                     | H                         |
| MR. COLOR 8<br>SILVER | MR. COLOR 3<br>RED | MR. COLOR 47<br>CLEAR RED | MR. COLOR 50<br>CLEAR BLUE | MR. COLOR 131<br>PROPELLER COLOR | MR. COLOR 125<br>COWLING COLOR | MR. COLOR 28<br>STEEL | MR. COLOR 41<br>RED BROWN |

 ③ IJN Type 96 carrier-based fighter II  
12 Kokutai, China 1938

 ④ IJN Type 96 carrier-based fighter II  
Hyakurihara Kokutai, Ibaraki, 1940-1941


PROPELLER FRONT SIDE



PROPELLER BACK SIDE

