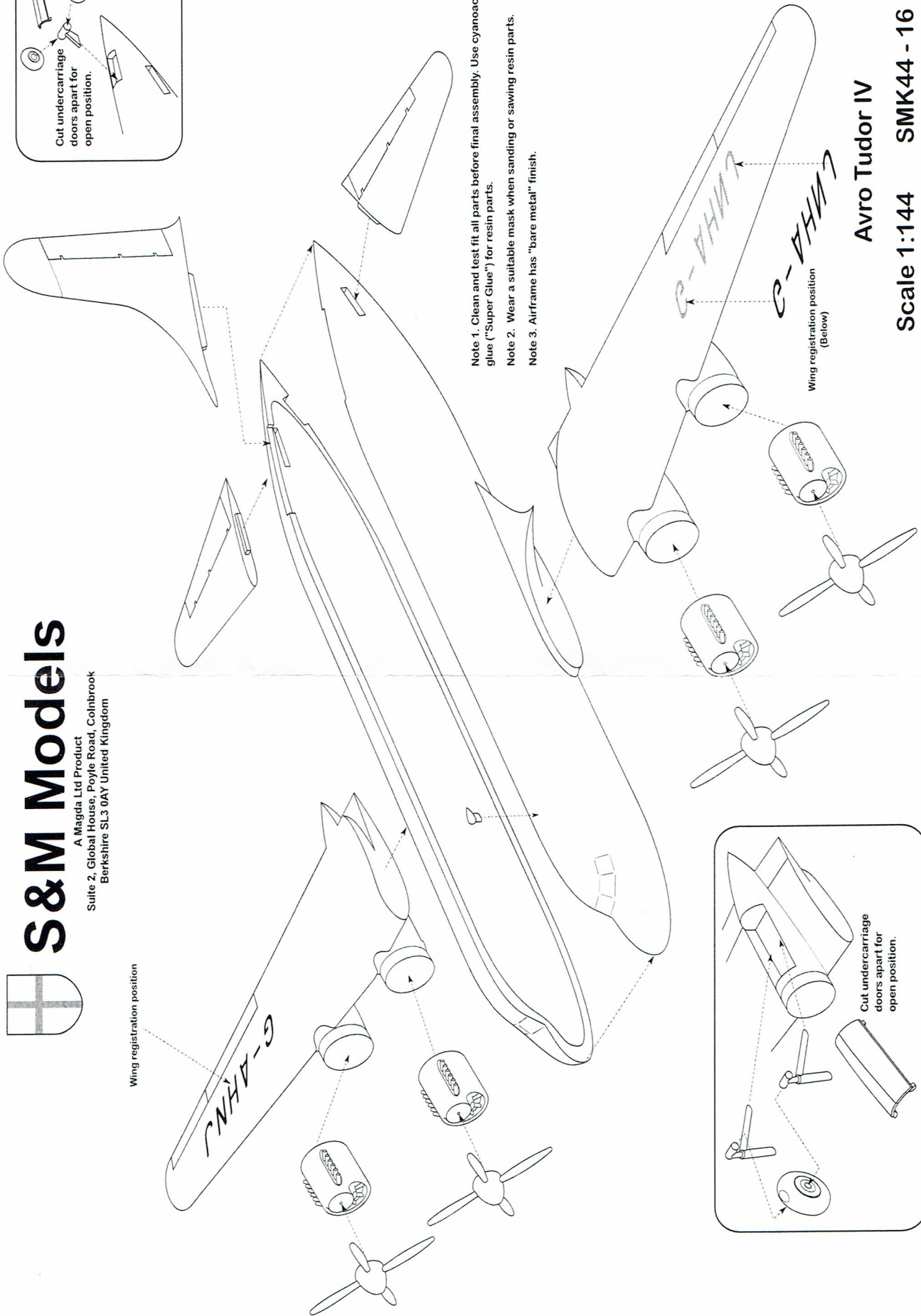
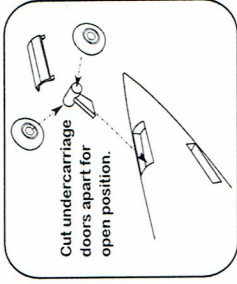


S&M Models

A Magda Ltd Product
Suite 2, Global House, Poyle Road, Coinbrook
Berkshire SL3 0AY United Kingdom



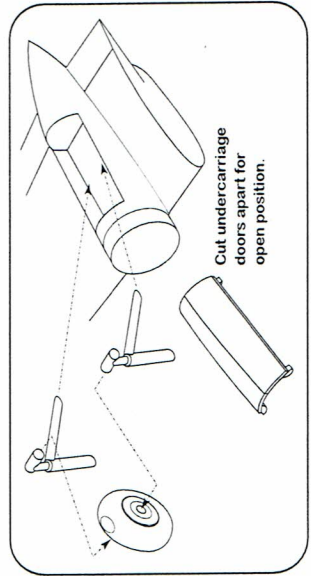
Wing registration position

Wing registration position (Below)

Note 1. Clean and test fit all parts before final assembly. Use cyanoacrylate glue ("Super Glue") for resin parts.

Note 2. Wear a suitable mask when sanding or sawing resin parts.

Note 3. Airframe has "bare metal" finish.



Avro Tudor IV

Scale 1:144 SMK44 - 16