



EA-6B Prowler Darth Vader

Since the Vietnam war, the EA-6B Prowler has been the U.S. Navy's primary carrier-based electronic warfare aircraft, jamming enemy radars and providing an umbrella of protection for enemy tracking systems for U.S. attack and fighter aircraft.

Based on the A-6 Intruder ground attack aircraft, the Prowler is a twin-engine, mid-wing configured aircraft that has a side by-side cockpit arrangement. The EA-6B war fighting systems includes the ALQ-99 on board receiver, the ALQ-99 pod mounted jamming system, the USQ-113 communications jamming system and the HARM missile.

Electronic Attack Squadron 209 (VAQ-209) is a United States Navy Reserve electronic attack squadron. Known as the "Star Warriors", the squadron flies the EA-18G Growler carrier-based electronic warfare jet aircraft. It is assigned to the Tactical Support Wing and based at Naval Air Station Whidbey Island, Washington. Its mission is: "To safely train to attain and maintain mobilization readiness for immediate employment in event of war or national emergency."

VAQ-209 was established at Naval Air Station Norfolk, Virginia, on 1 October 1977, as part of the U.S. Navy Reserve Carrier Air Wing 20 (CVWR-20). The squadron first flew the EA-6A Intruder. The squadron received special permission from Lucasfilm to use the name and Darth Vader's likeness in their livery.



Drill



Remove



2 Set



Bend



Optional



Decal



Super Glue



Fill Hole



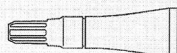
No Cement



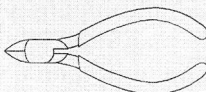
Be Careful

TOOLS RECOMMENDED

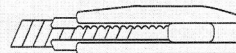
Cement



Side Cutter



Modeling Knife



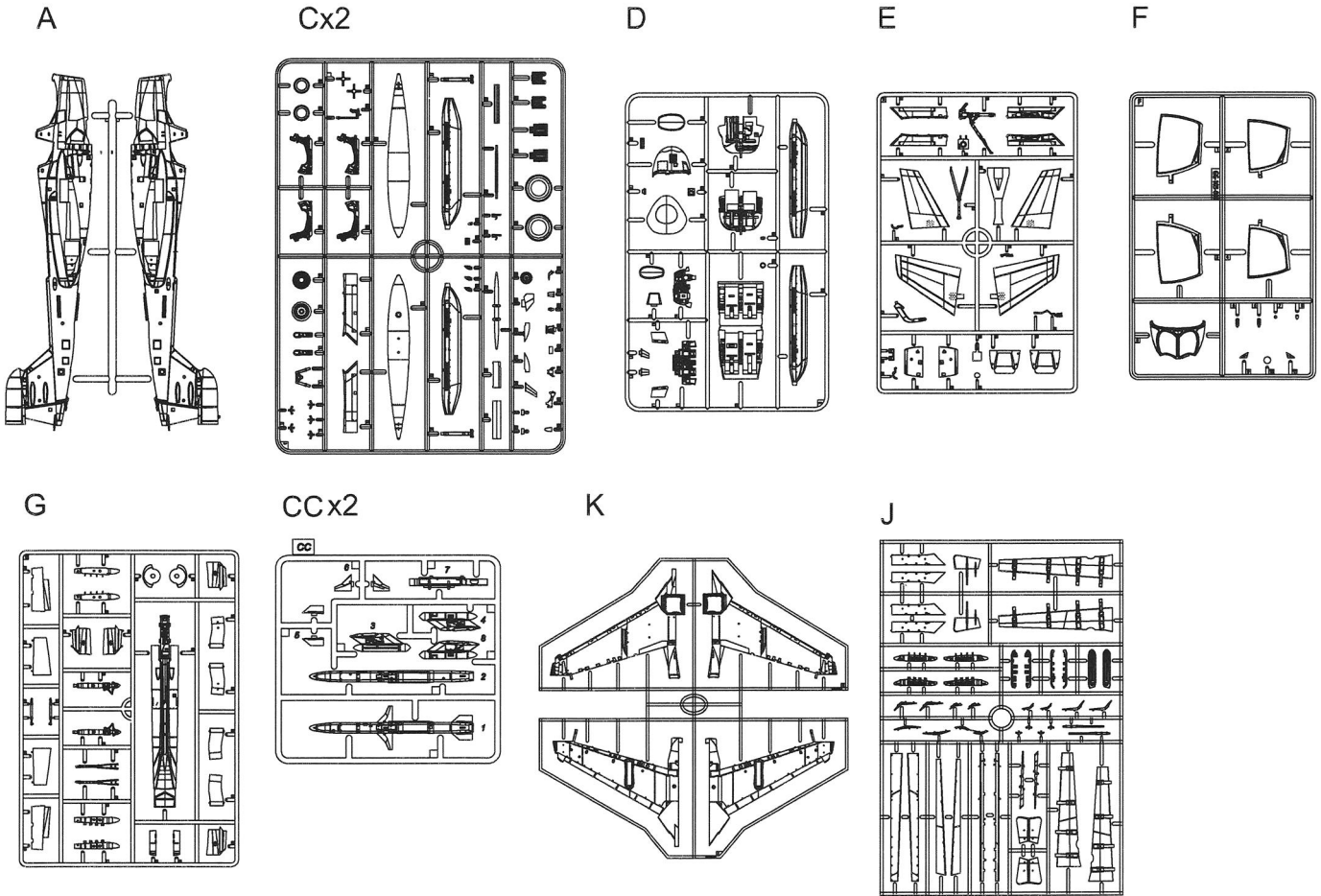
Tweezers



CAUTION

- *Read carefully and fully understand the instructions before commencing assembly.
- *Keep out of reach of children. Children must not be allowed to put any parts in their mouths, or pull plastic bag over their heads.
- *When using adhesives and paints, please make sure not to use them in closed room or near the fire.
- *When assembling this kit, tools including knives are used. Extra care should be taken to avoid injury.

WARNING: CONTAIN SMALL PARTS NOT FOR CHILDREN UNDER 14 YEARS OF AGE.



PAINT INDEX

COLOR	AMMO MIG	VALLEJO MODEL COLOR	VALLEJO MODEL AIR	GSI CREOS MR. COLOR	TAMIYA ENAMEL/ACRYLIC	HUMBROL ENAMEL
CREMEWEISS	A.MIG-017	918	270	316	-	-
RUBBER&TIRES	A.MIG-033	306	315	137	XF-85	-
FLAT BLACK	A.MIG-046	950	057	33	XF-18	33
GLOSS WHITE	A.MIG-047	951	001	1	X-2	34
CLEAR RED	A.MIG-093	934	-	47	X-27	1321
Yellow (FS 13538)	A.MIG-125	915	078	329	-	154
BURNT IRON	A.MIG-187	-	073	61	XF-84	-
STEEL	A.MIG-191	864	065	28	-	27003
GHOST GREY(FS 36320)	A.MIG-208	-	047	307	-	126
Blue Grey (FS 35237)	A.MIG-210	-	049	337	-	145
Grey (FS 36375)	A.MIG-203	990	-	308	-	-
SATIN BLACK	A.MIG-032	861	-	2	X-1	21

AFTERMARKET SERVICES CARD

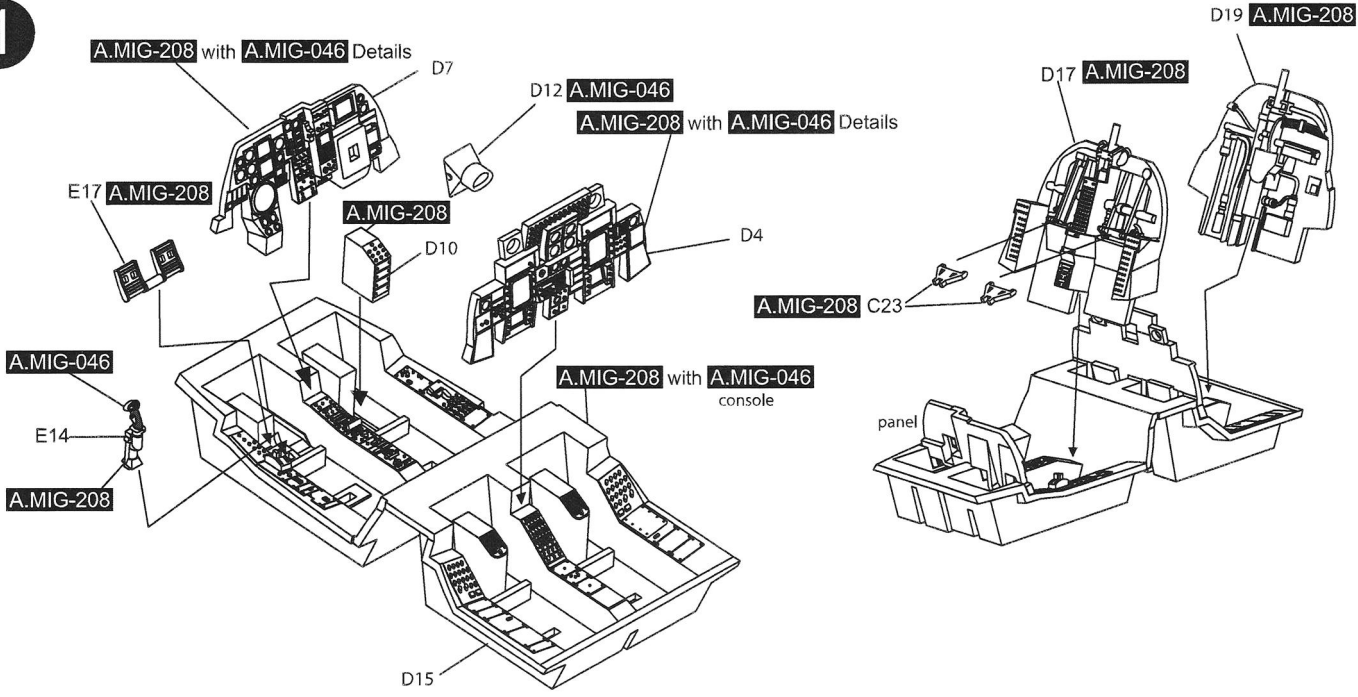
When requesting replacement parts, please take or send this form to your local dealer so that the parts required can be correctly identified. Please note that specifications and availability are subject to change without notice.

or visit <http://www.kineticmodel.com> for latest information.
For more information, please contact services@kineticmodel.com

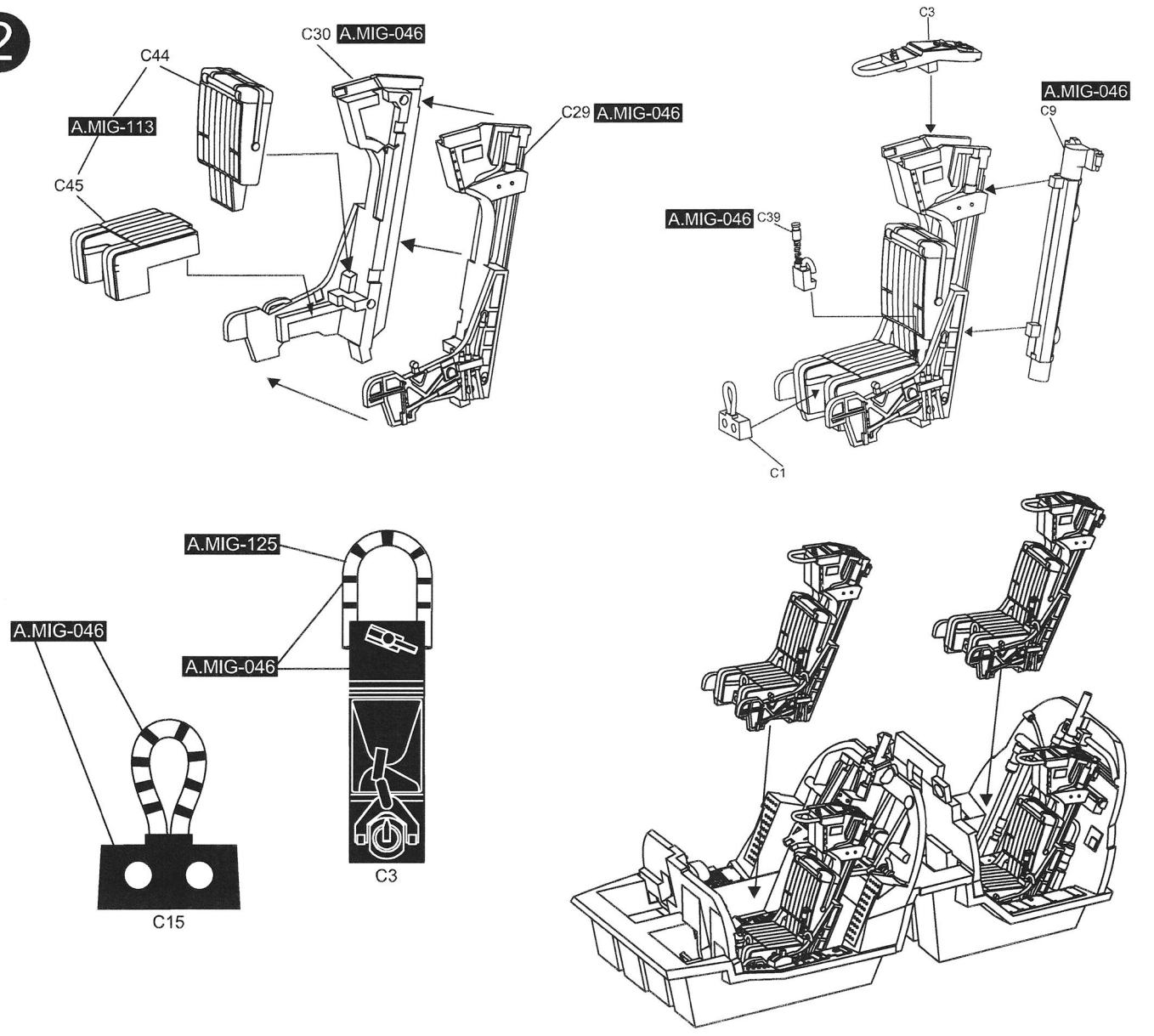
For Color Profile, please go to www.kineticmodel.com for download (type the kit# and go for manual/painting guide)

Part Code	K48075	Qty	Item
00-105-001	EA-6B FUSELAGE	1	A
00-105-003	EA-6B ECM POD/SEAT	2	C
00-105-004	EA-6B COCKPIT	1	D
00-105-005	EA-6B WINGS#2	1	E
00-105-006	EA-6B CLEAR PARTS	1	F
00-105-007	EA-6B UNDERCARRIGE	1	G
00-105-011	NEW EA-6B WING	1	K
00-124-012	1/48 A-6A METAL WINGS PARTS	1	J
00-116-001	3 WHEELS with TRACTOR	1	
00-100-026	AGM-88 HARMS PARTS CC	2	CC
01-105-48075	EA-6B PROWLER VAQ 2009/2010 DARK VADER	1	DECAL
03-105-48075	1/48 EA-6B Prowler	1	MANUAL

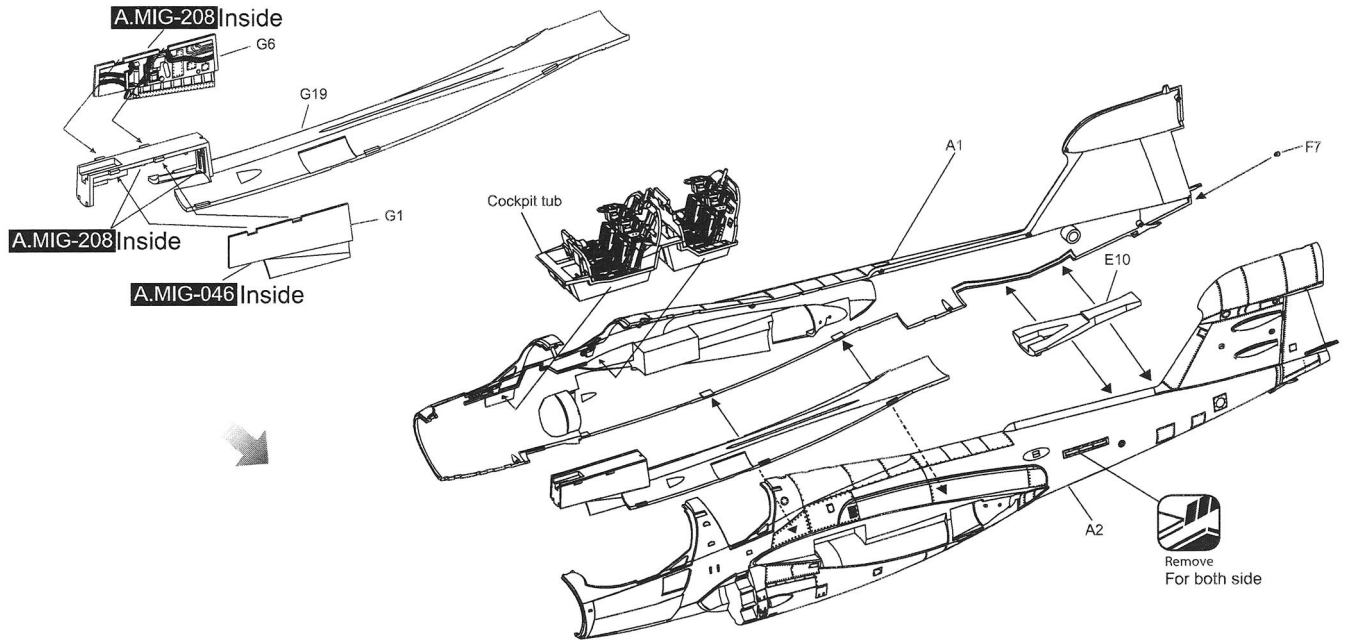
1



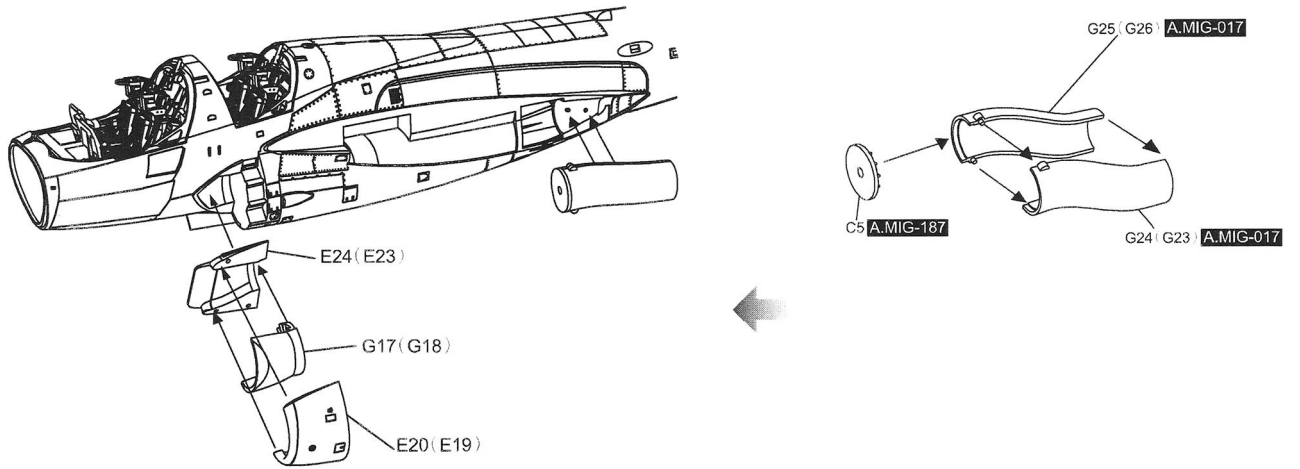
2



3

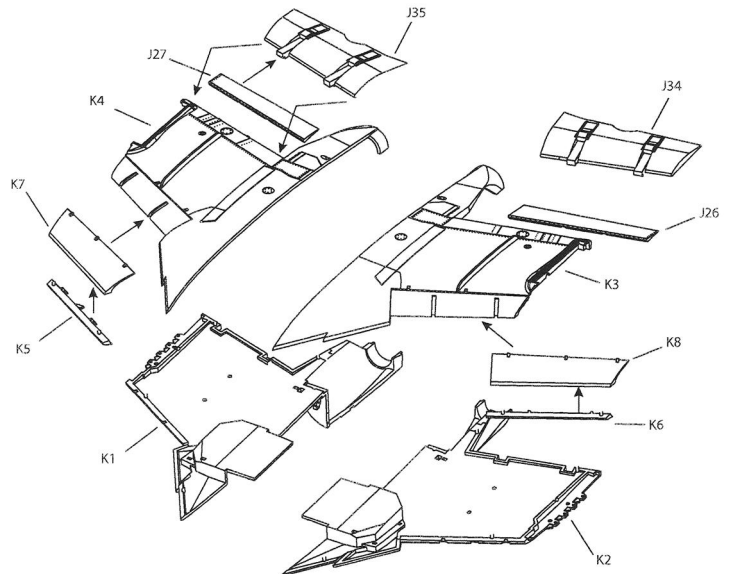
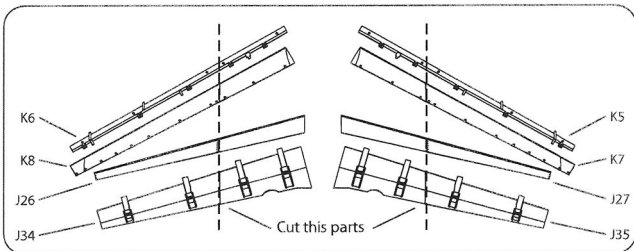


4

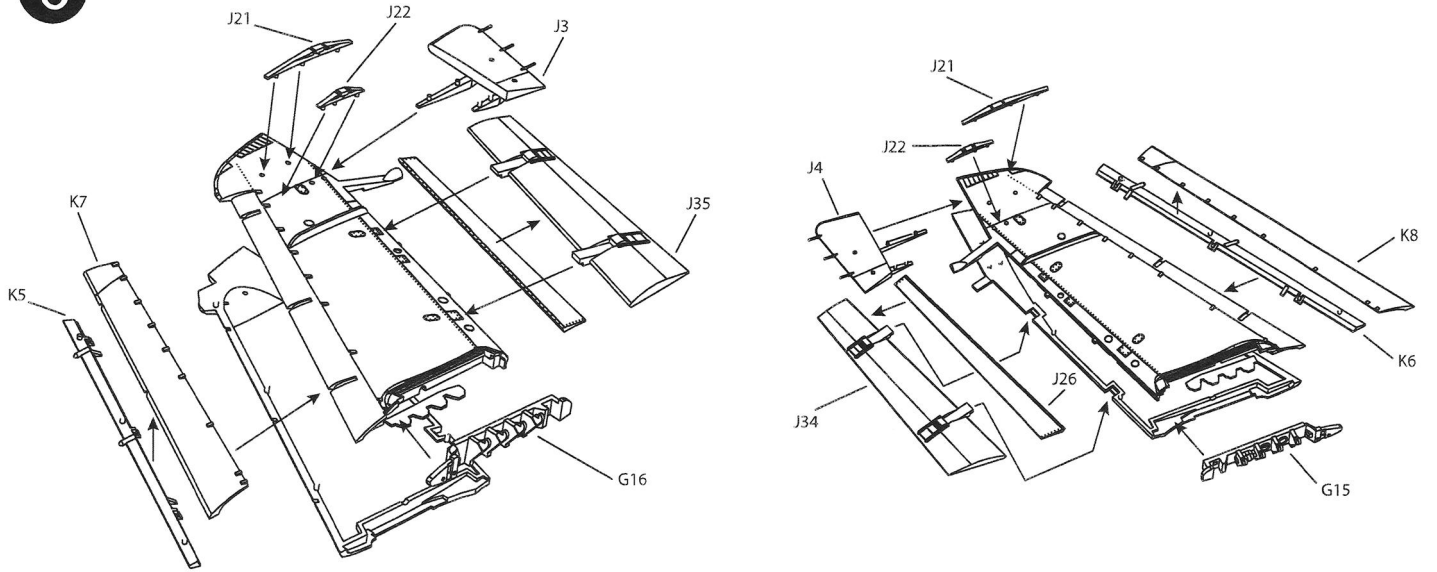


5

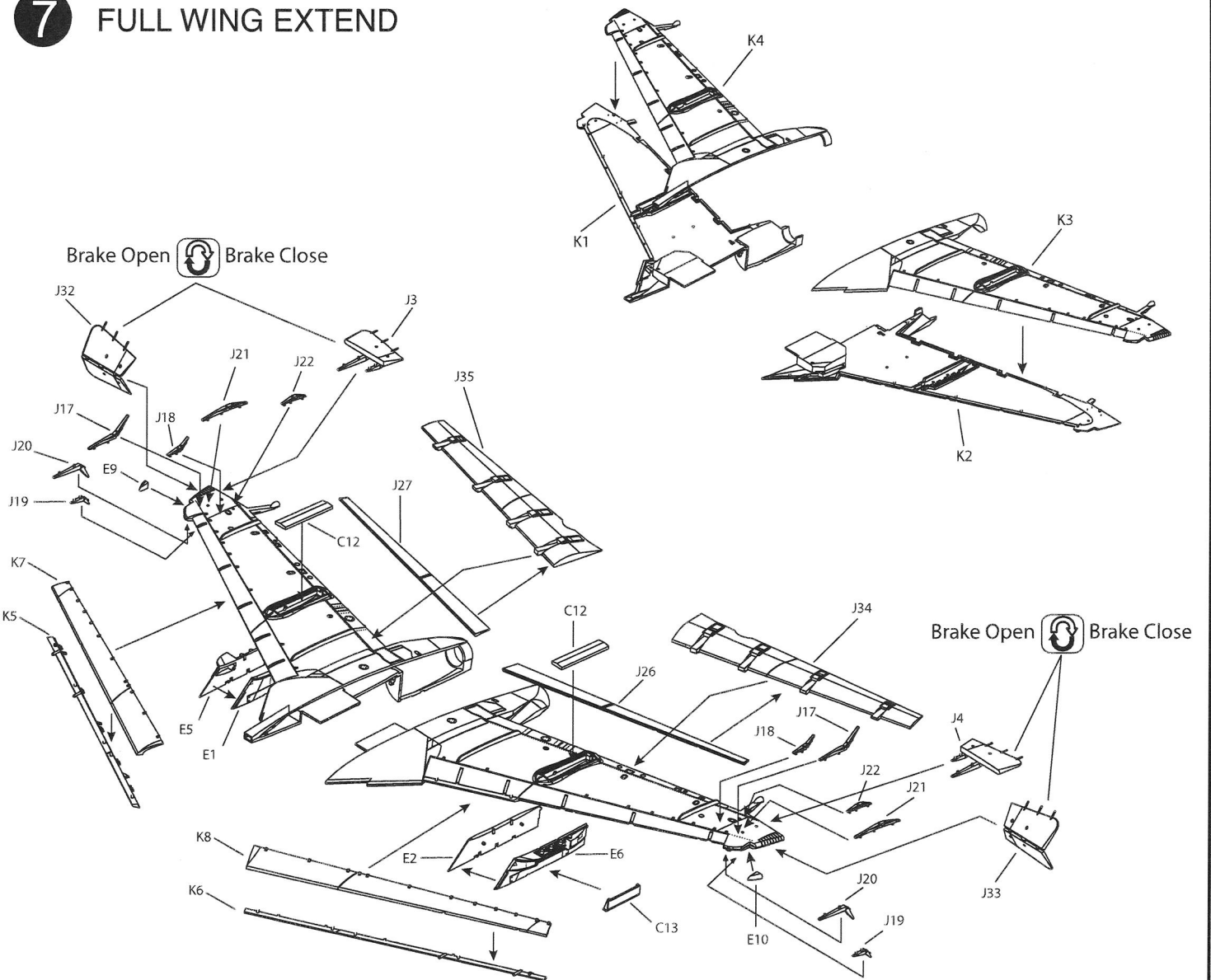
FOLD WING OPTION



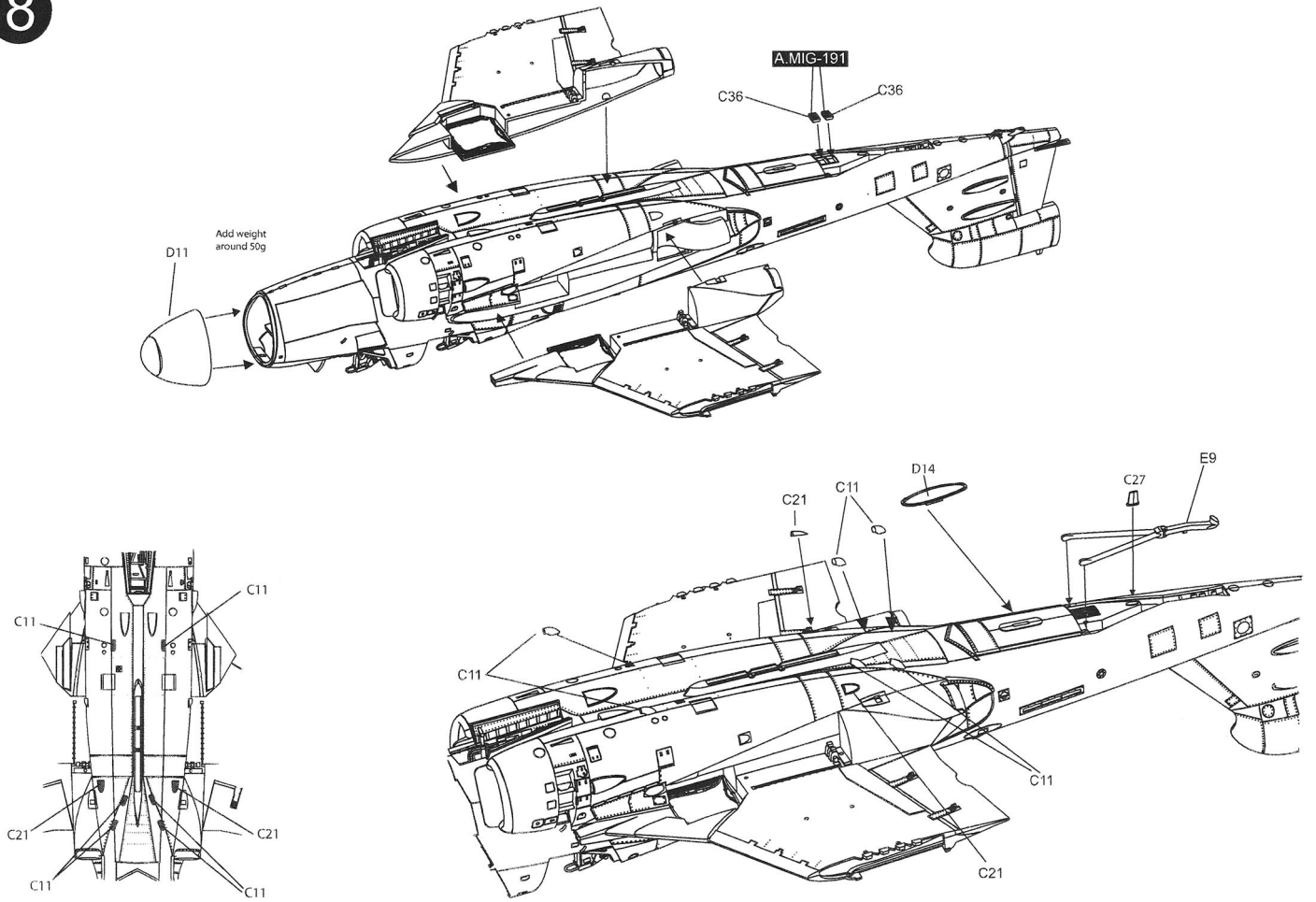
6



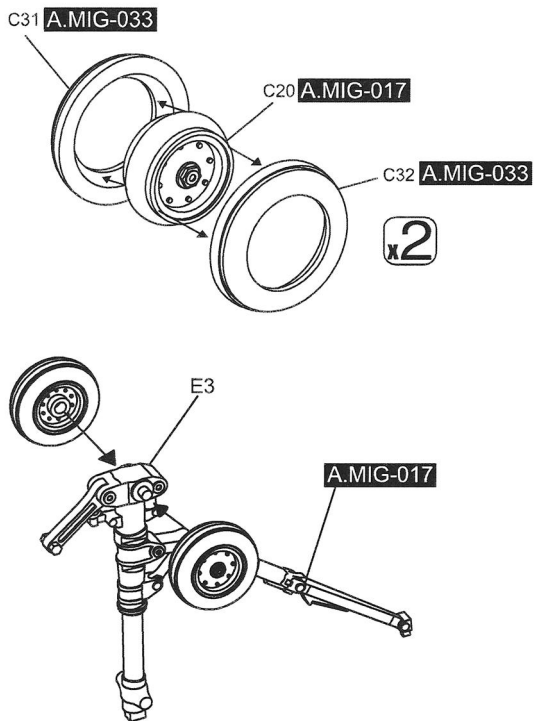
7 FULL WING EXTEND



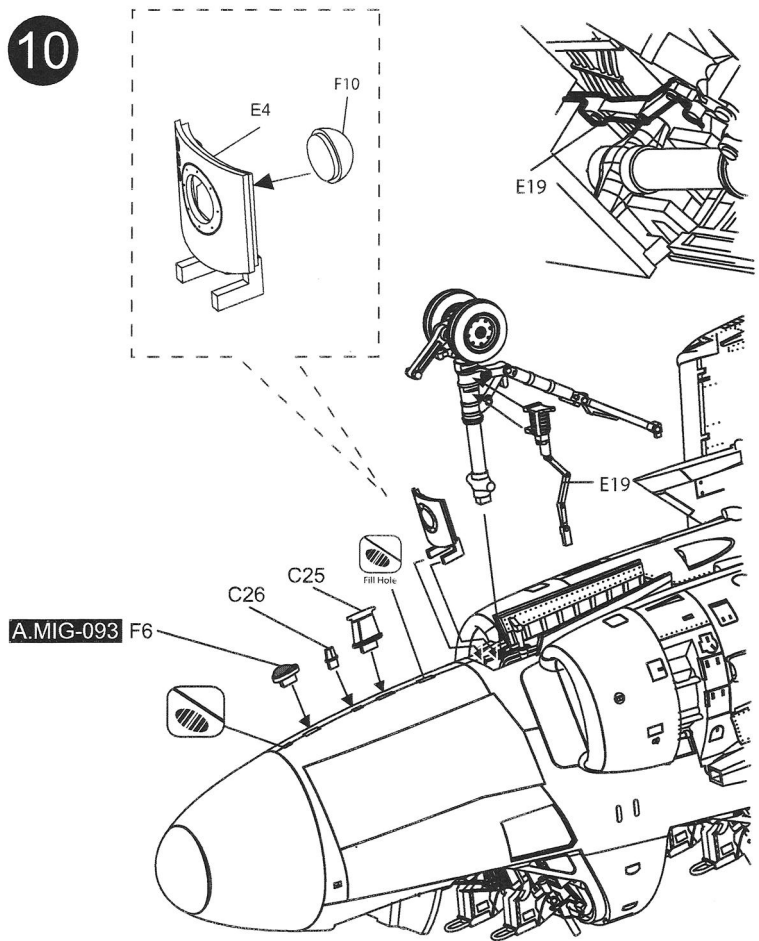
8



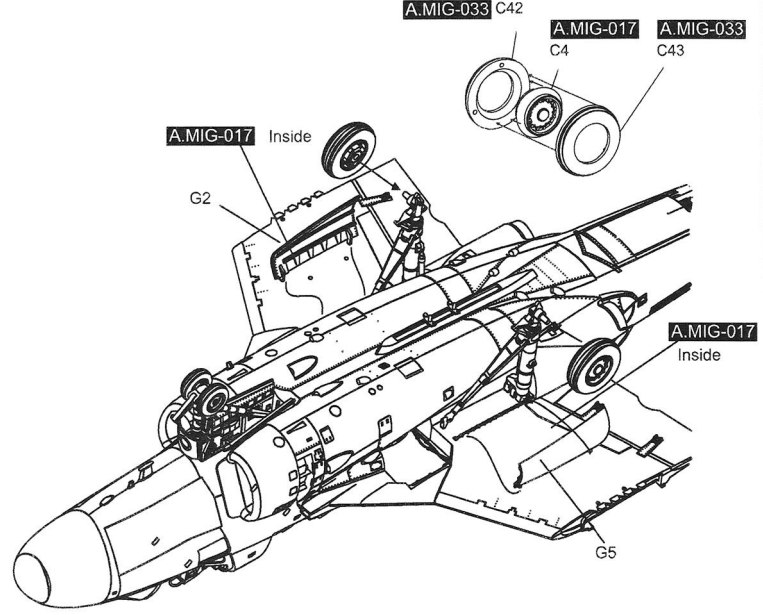
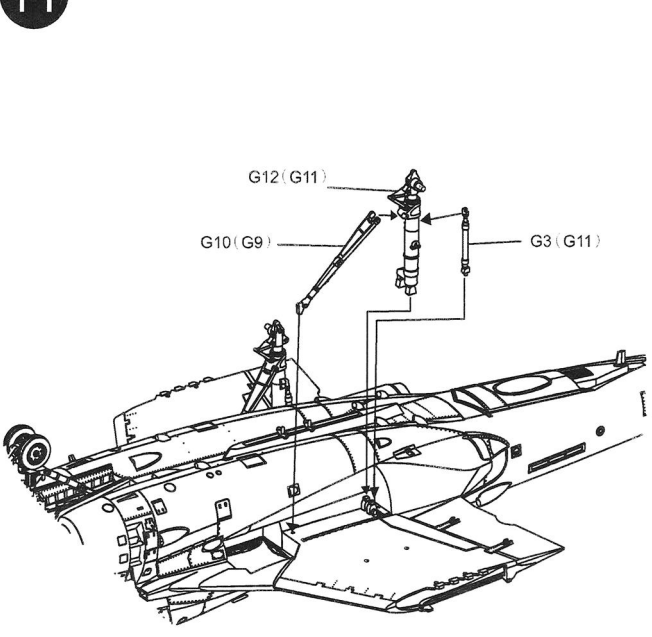
9



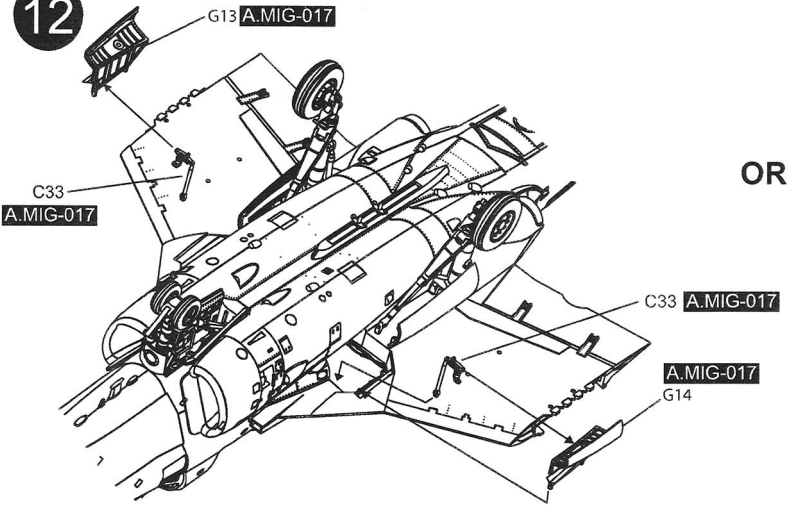
10



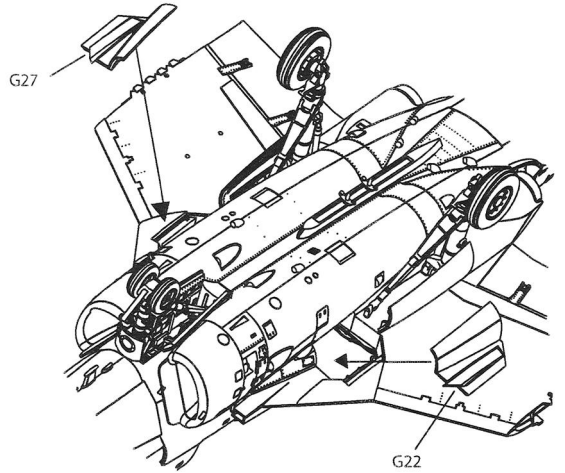
11



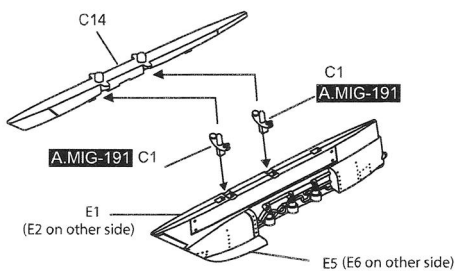
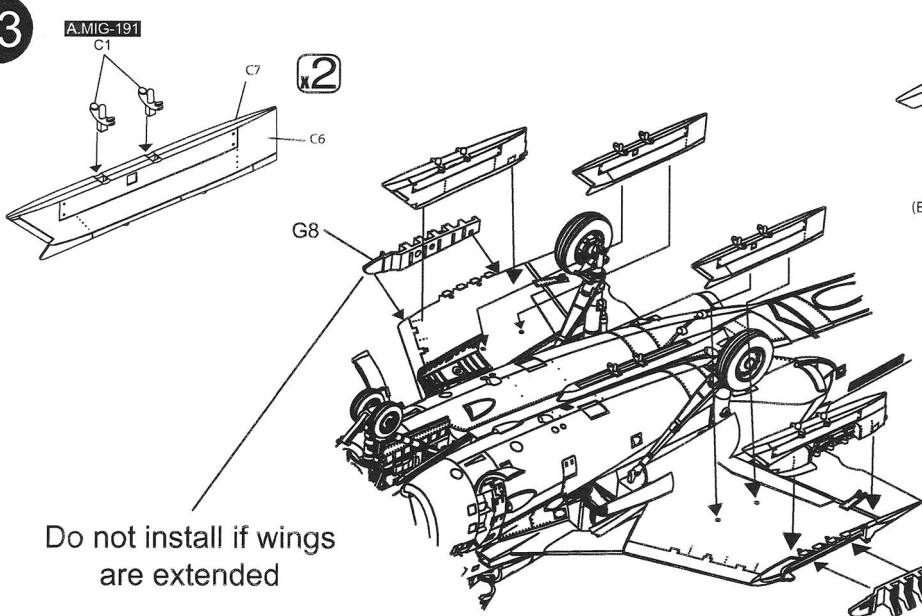
12



OR



13

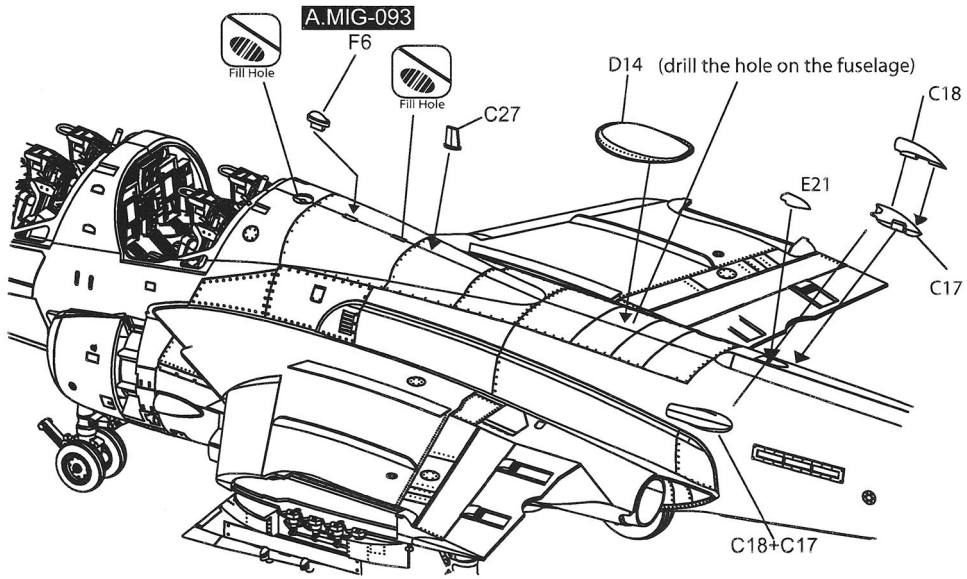


Do not install if wings are extended

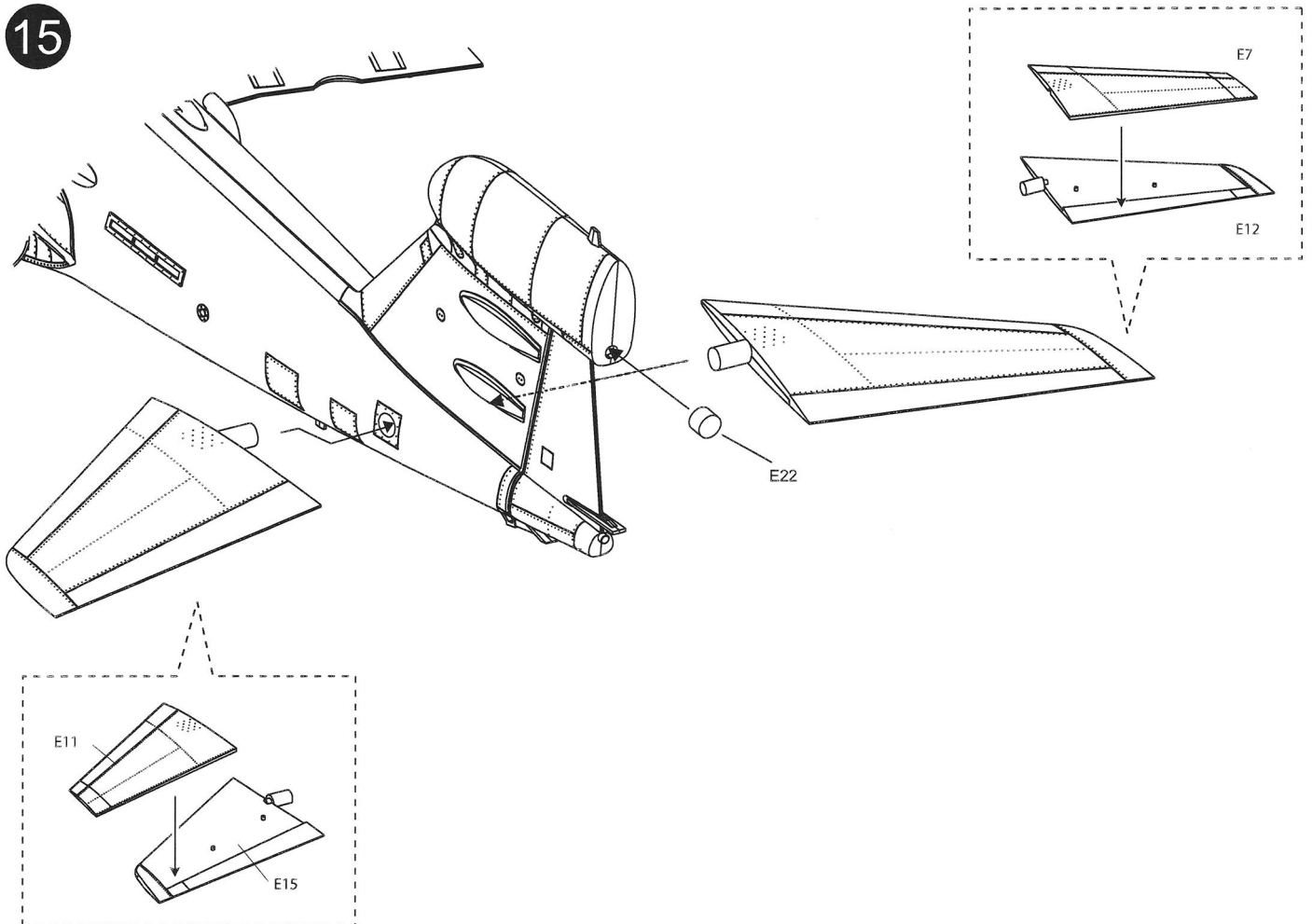
A.MIG-017 G7

Do not install if wings are extended

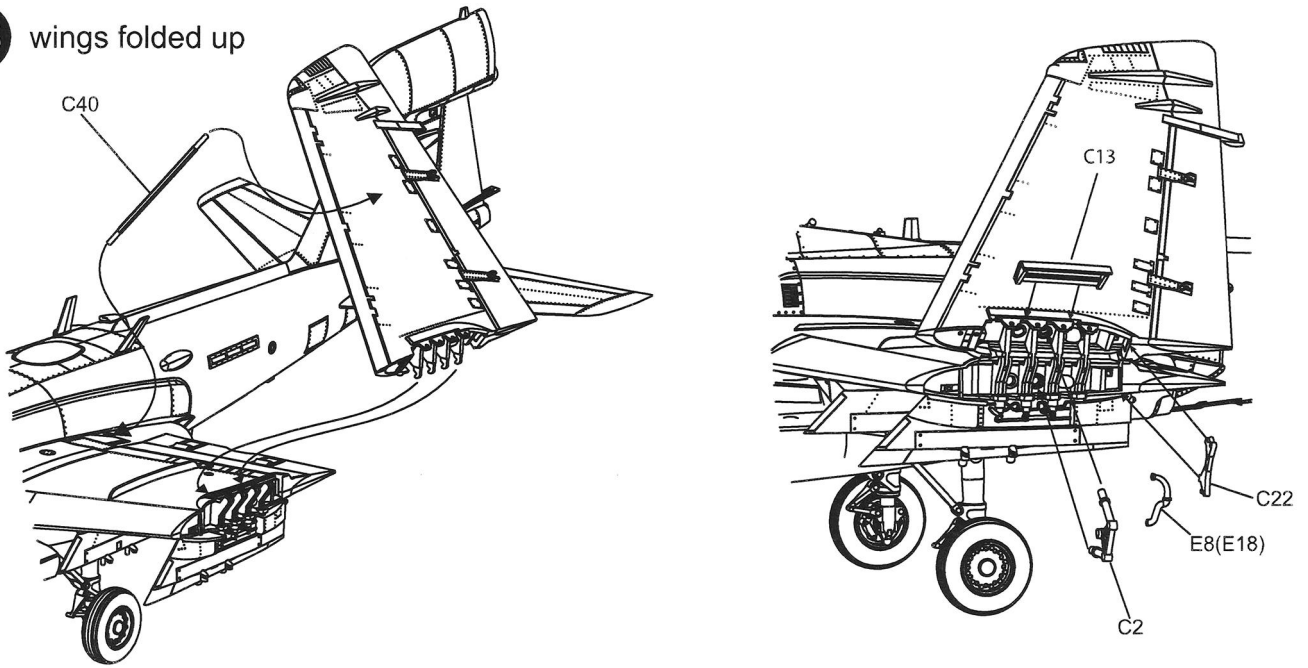
14



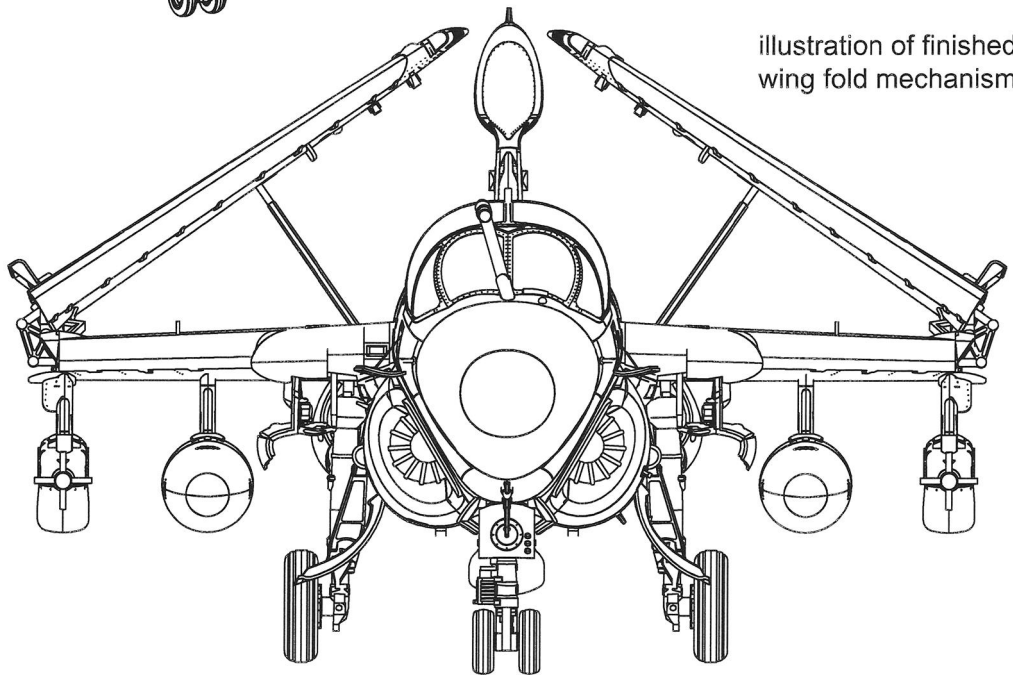
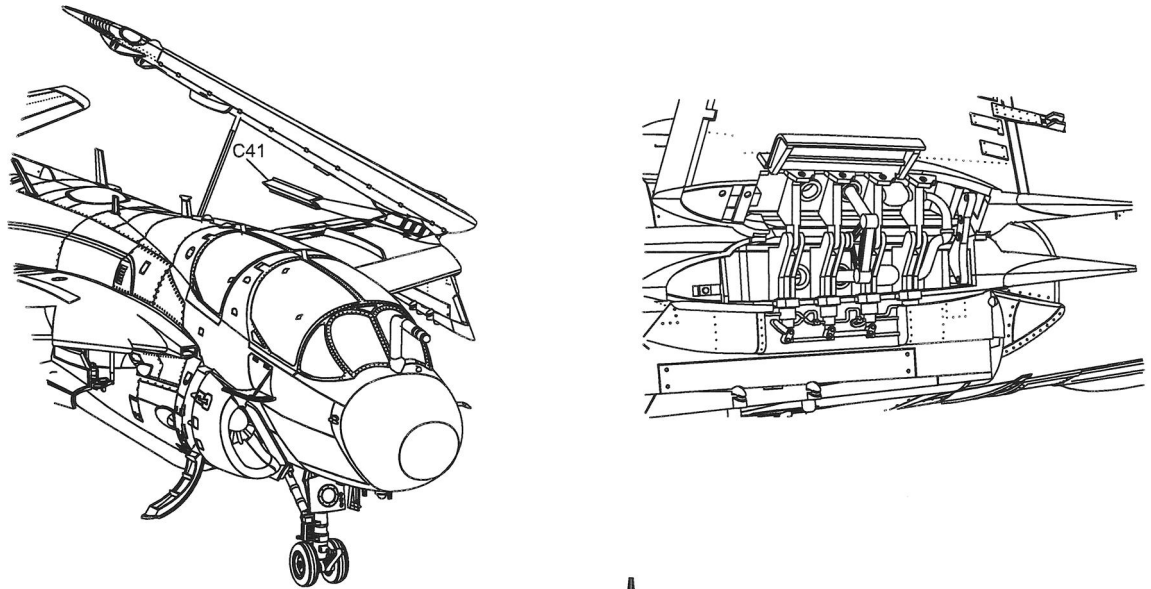
15

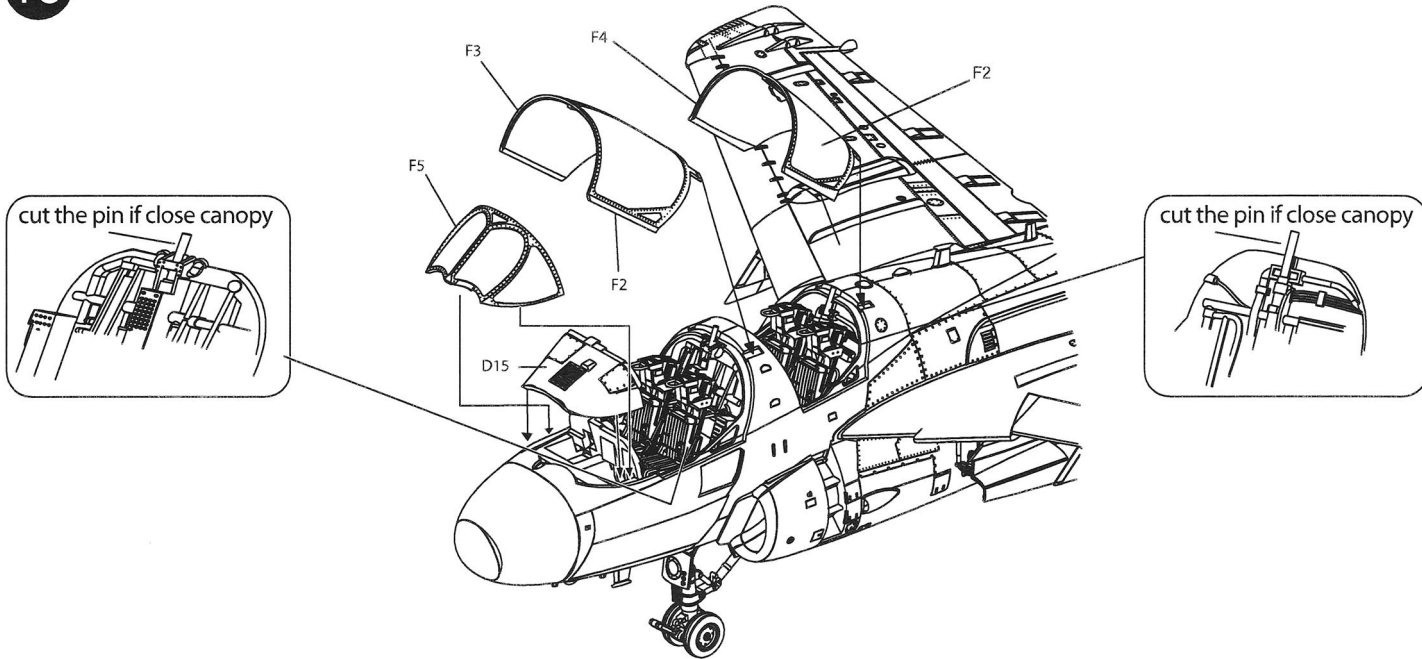


16 wings folded up

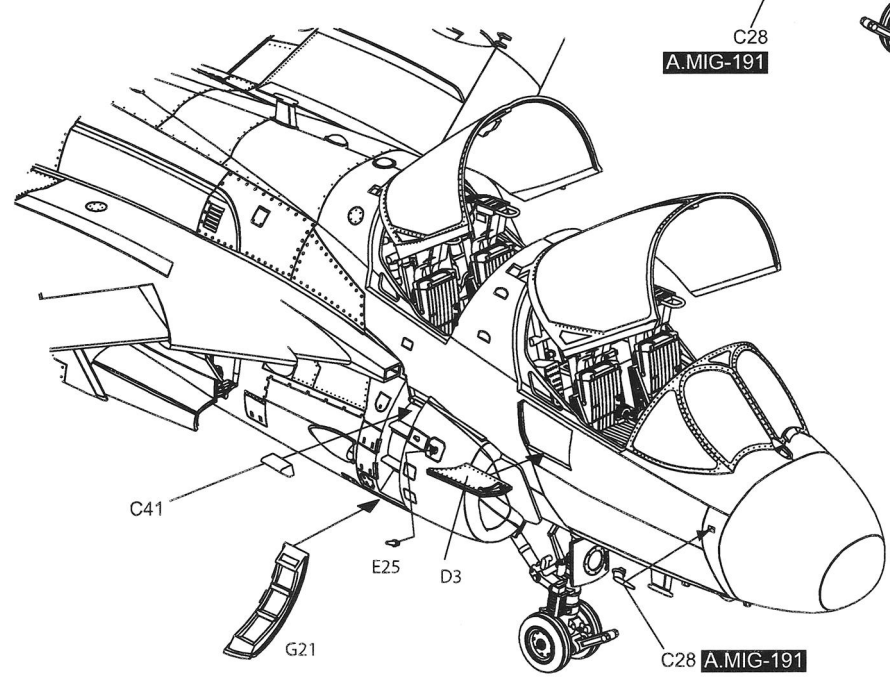
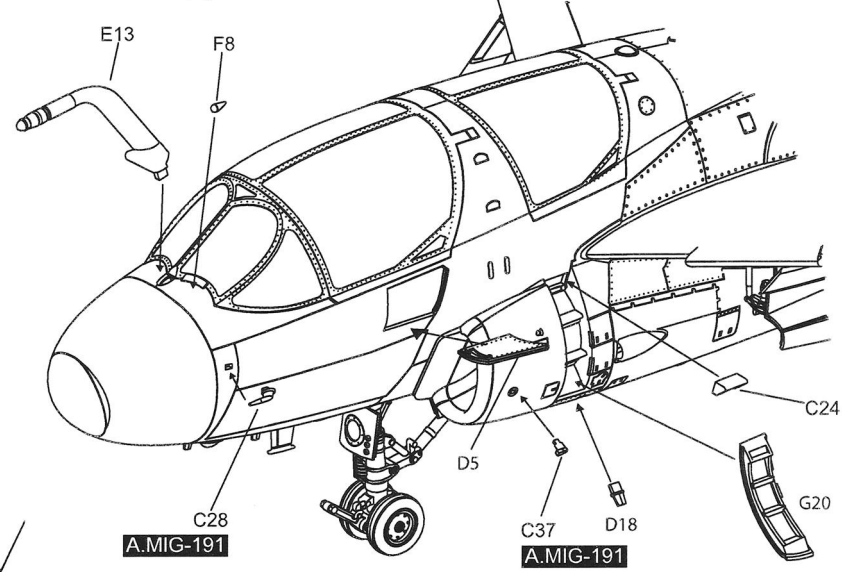


17

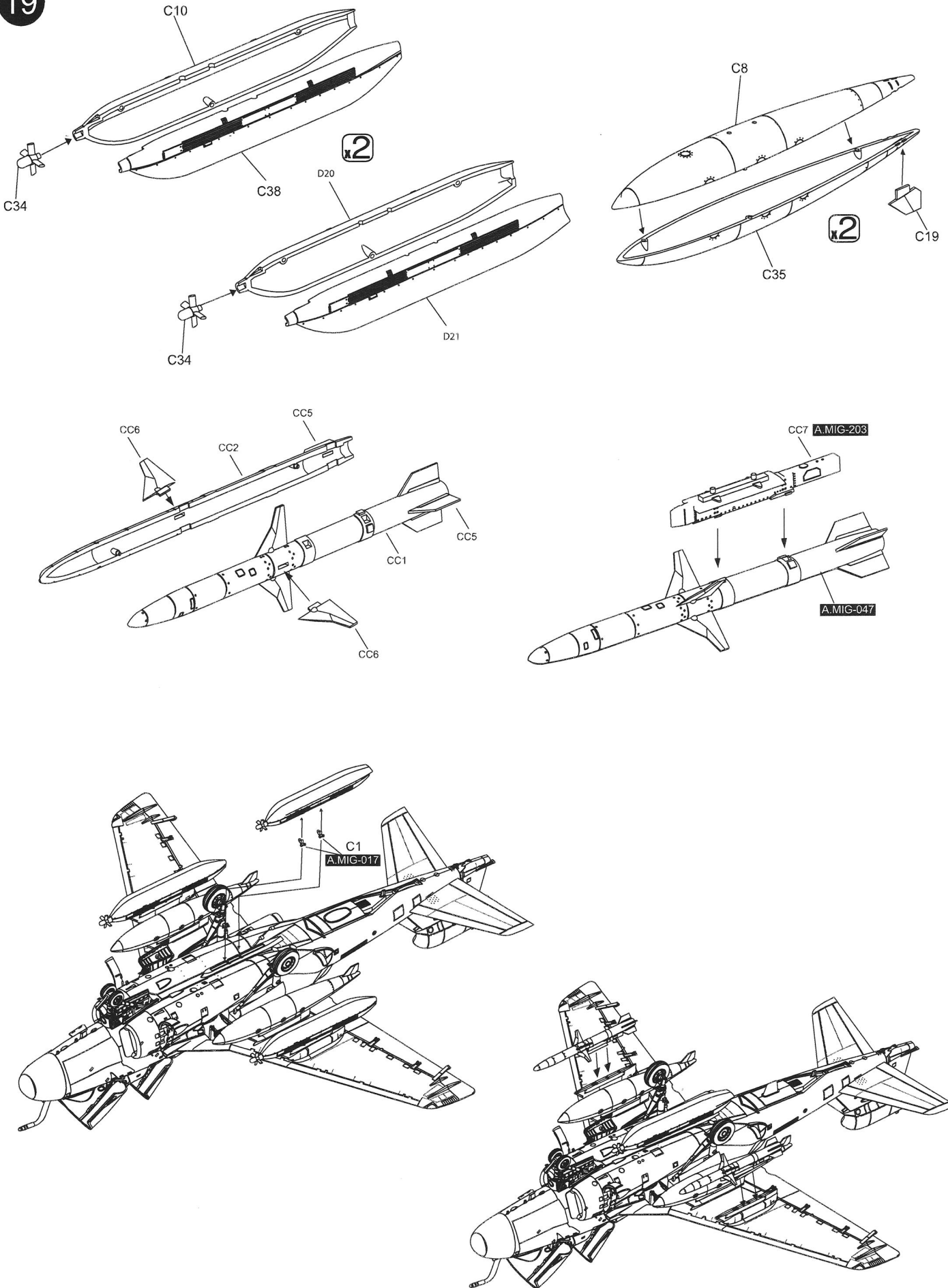




Canopy at closed situation



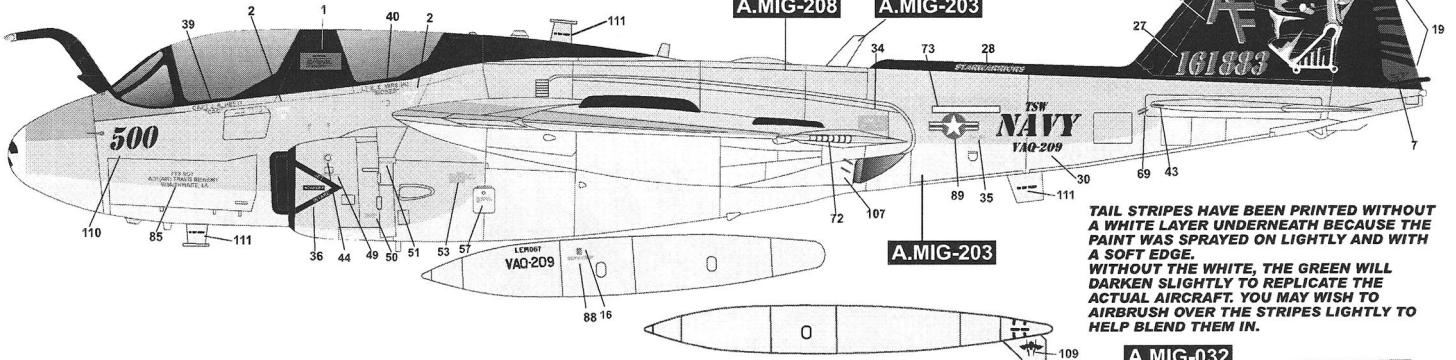
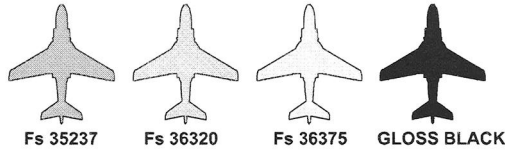
19



EA-6B usually carries single AGM-88 on either side. On the other side, a ECM pod is carried.

**VAQ-209 STARWARRIORS
EA-6B PROWLER ICAP II BLK 89
BUNO 161833
2009-2010**

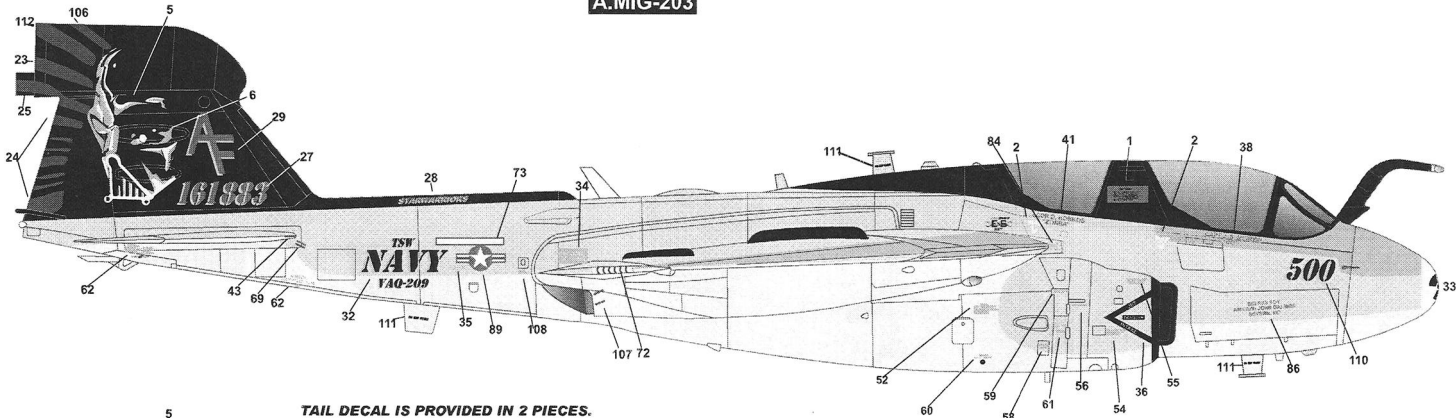
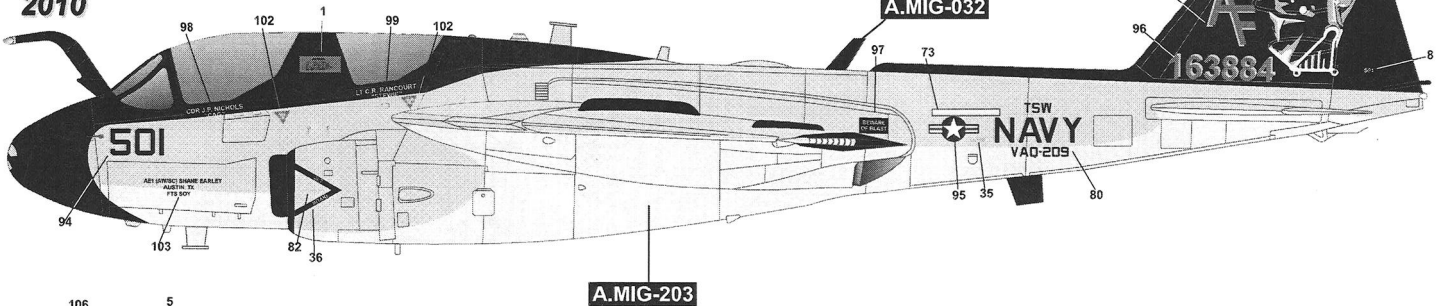
A.MIG-210 A.MIG-208 A.MIG-203 A.MIG-032



TAIL STRIPES HAVE BEEN PRINTED WITHOUT A WHITE LAYER UNDERNEATH BECAUSE THE PAINT WAS SPRAYED ON LIGHTLY AND WITH A SOFT EDGE. WITHOUT THE WHITE, THE GREEN WILL DARKEN SLIGHTLY TO REPLICATE THE ACTUAL AIRCRAFT. YOU MAY WISH TO AIRBRUSH OVER THE STRIPES LIGHTLY TO HELP BLEND THEM IN.

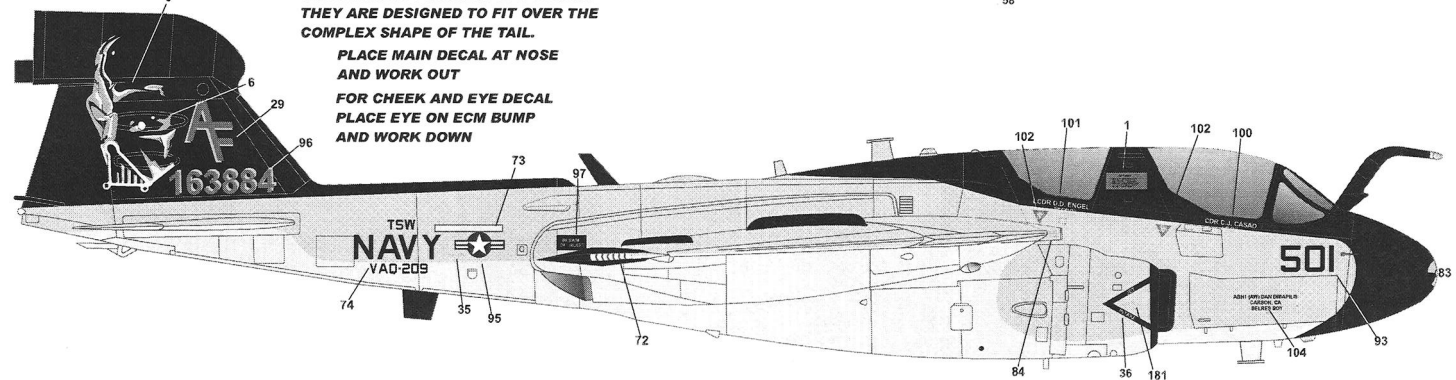
VAQ-209 HAD A REPLACEMENT FUEL TANK FROM VX-9.

**VAQ-209 STARWARRIORS
EA-6B PROWLER ICAP II BLK 89
BUNO 163884
2010**



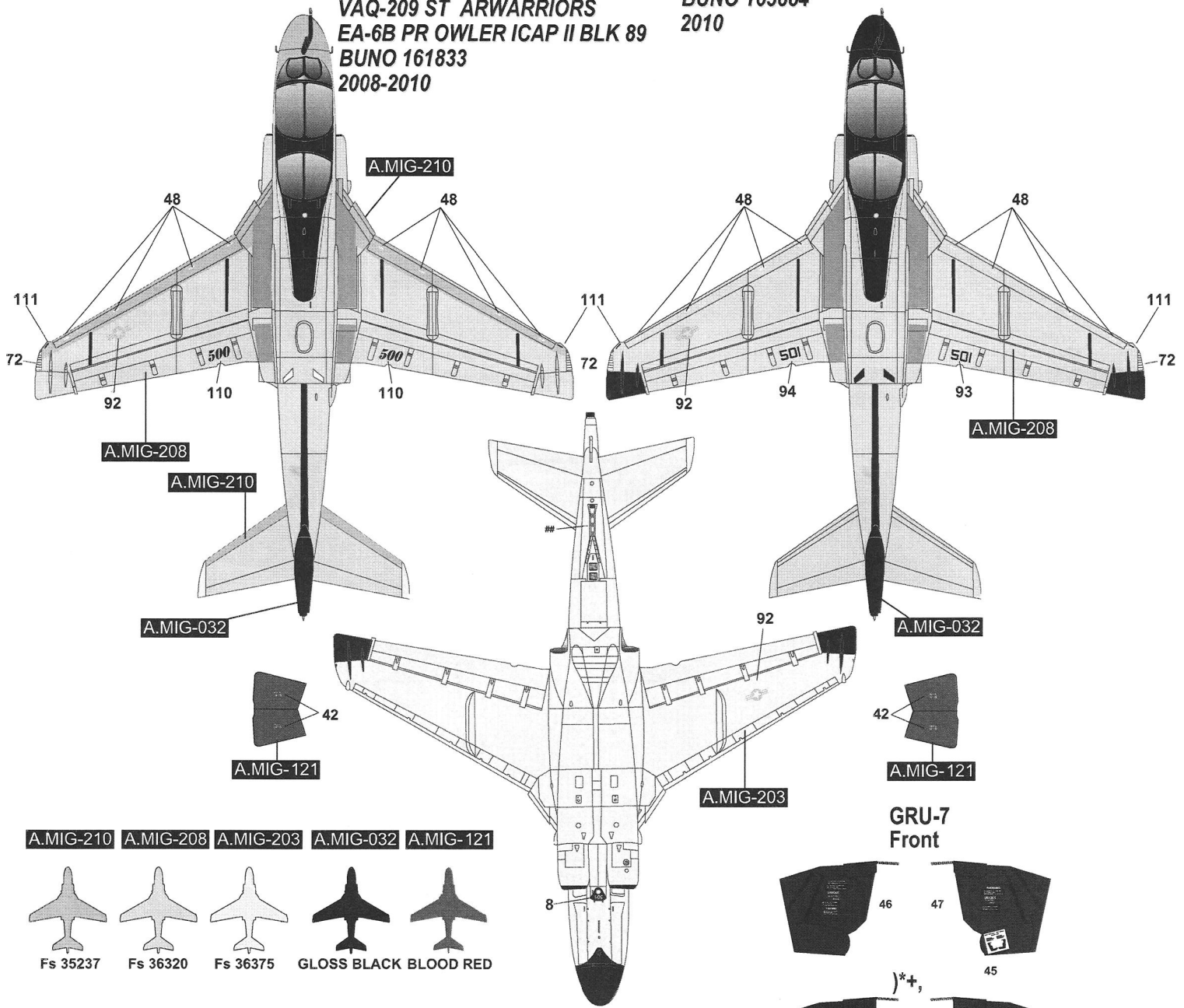
TAIL DECAL IS PROVIDED IN 2 PIECES. THEY ARE DESIGNED TO FIT OVER THE COMPLEX SHAPE OF THE TAIL.

**PLACE MAIN DECAL AT NOSE AND WORK OUT FOR CHEEK AND EYE DECAL
PLACE EYE ON ECM BUMP AND WORK DOWN**

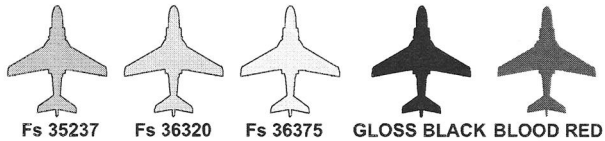


VAQ-209 ST ARWARRIORS
EA-6B PR OWLER ICAP II BLK 89
BUNO 163884
2010

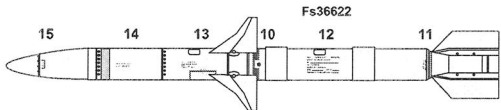
VAQ-209 ST ARWARRIORS
EA-6B PR OWLER ICAP II BLK 89
BUNO 161833
2008-2010



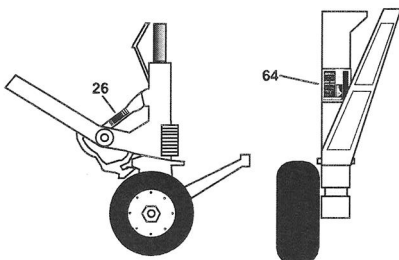
A.MIG-210 A.MIG-208 A.MIG-203 A.MIG-032 A.MIG-121



AGM-88 HARM ANTI-RADIATION MISSILE



LANDING GEAR



ECM POD

