

Instruction

模型拼裝說明書

1:35 Scale



**KITTY
HAWK**

AH-6J/MH-6J

Little Bird Nightstalkers



美国AH-6J/MH-6J”小鸟“直升机

Version 2

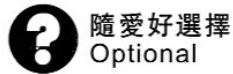
KH50003

Please visit our web site at
www.kittyhawkmodel.com

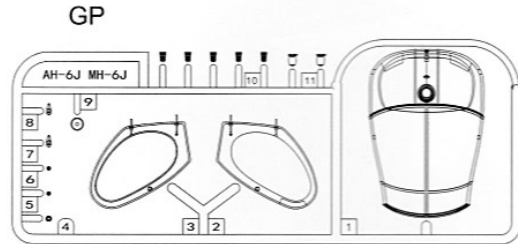
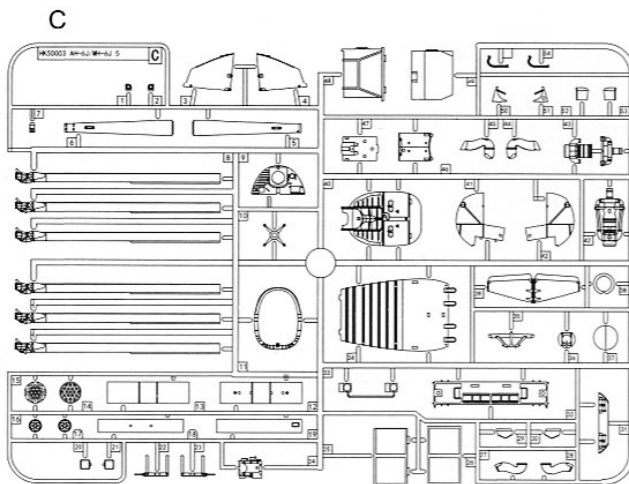
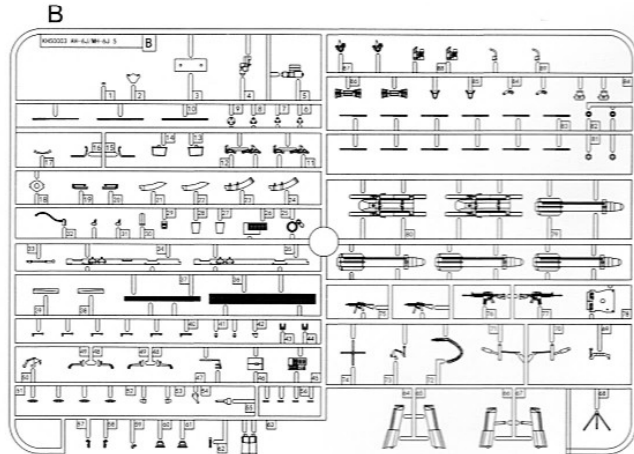
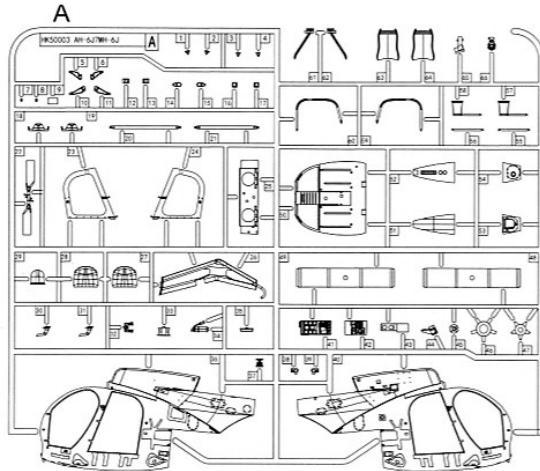
READ BEFORE ASSEMBLY

在組合您的模型之前，請充分閱讀本冊說明書。組合模型您需要如下物品（需另購）：模型膠水；一把模型鉗或一把用于將零件從框架上切下的模型筆刀。筆刀同樣可以用來修整零件的合模綫。祝您制作愉快！

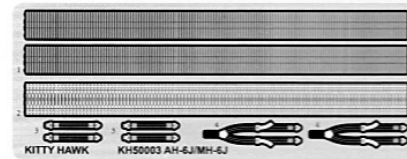
Before assembling your model kit, read through these instructions carefully. To assemble this kit, you will need Plastic glue (not include). A pair of side cutter or a sharp modelling knife is required for removing parts from the frame. Plastic mould lines can be removed with the modelling knife.



部品圖 Parts

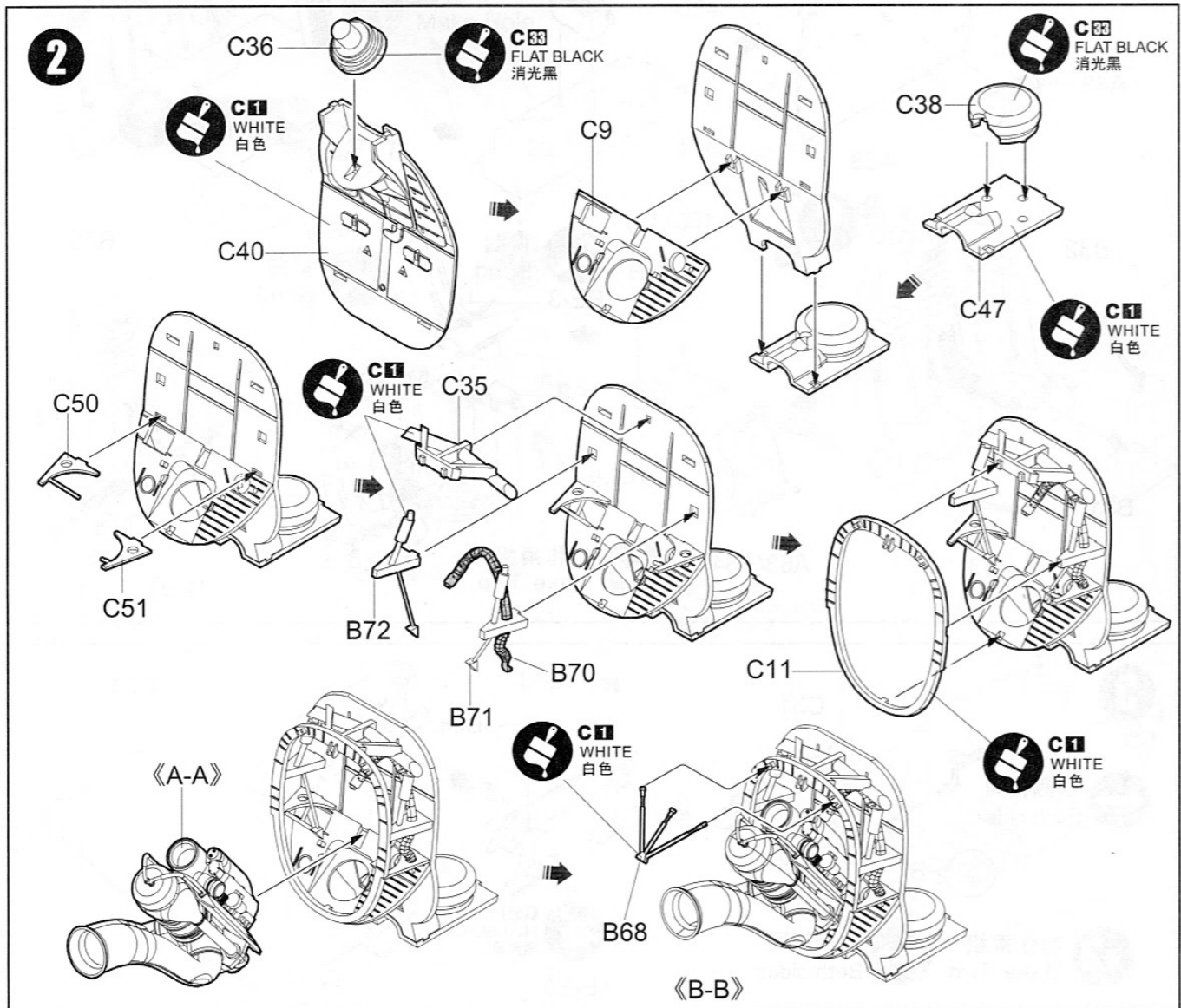
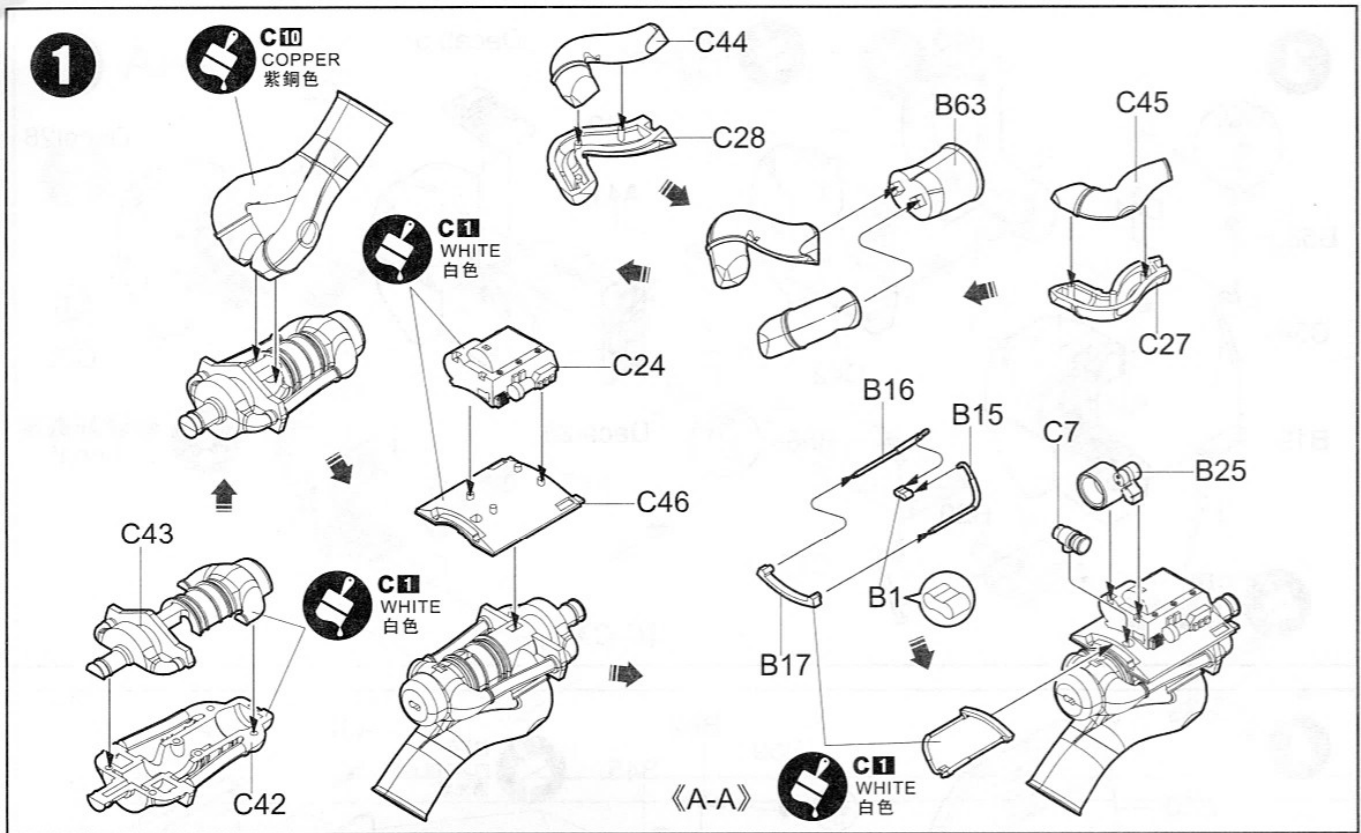


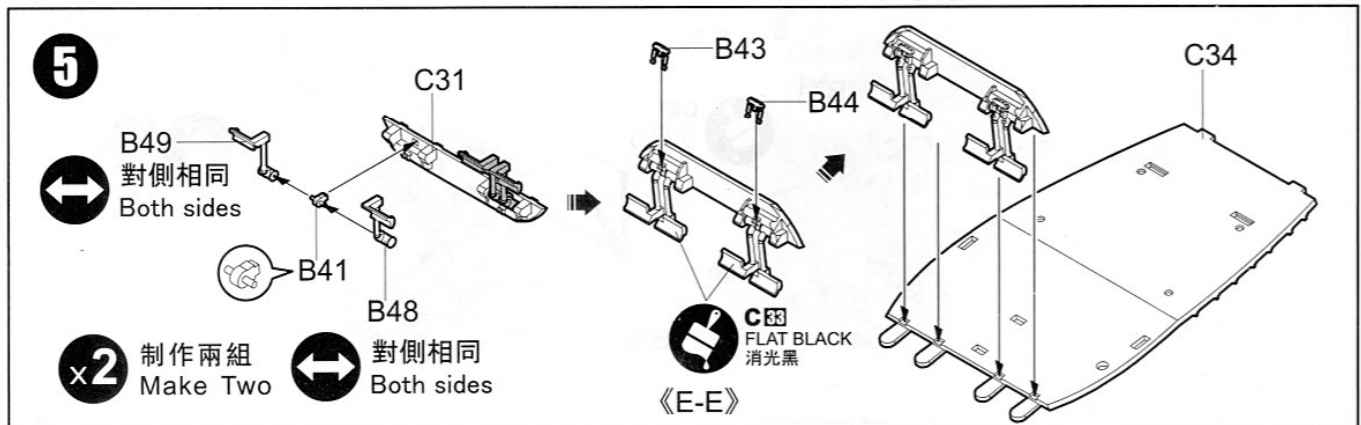
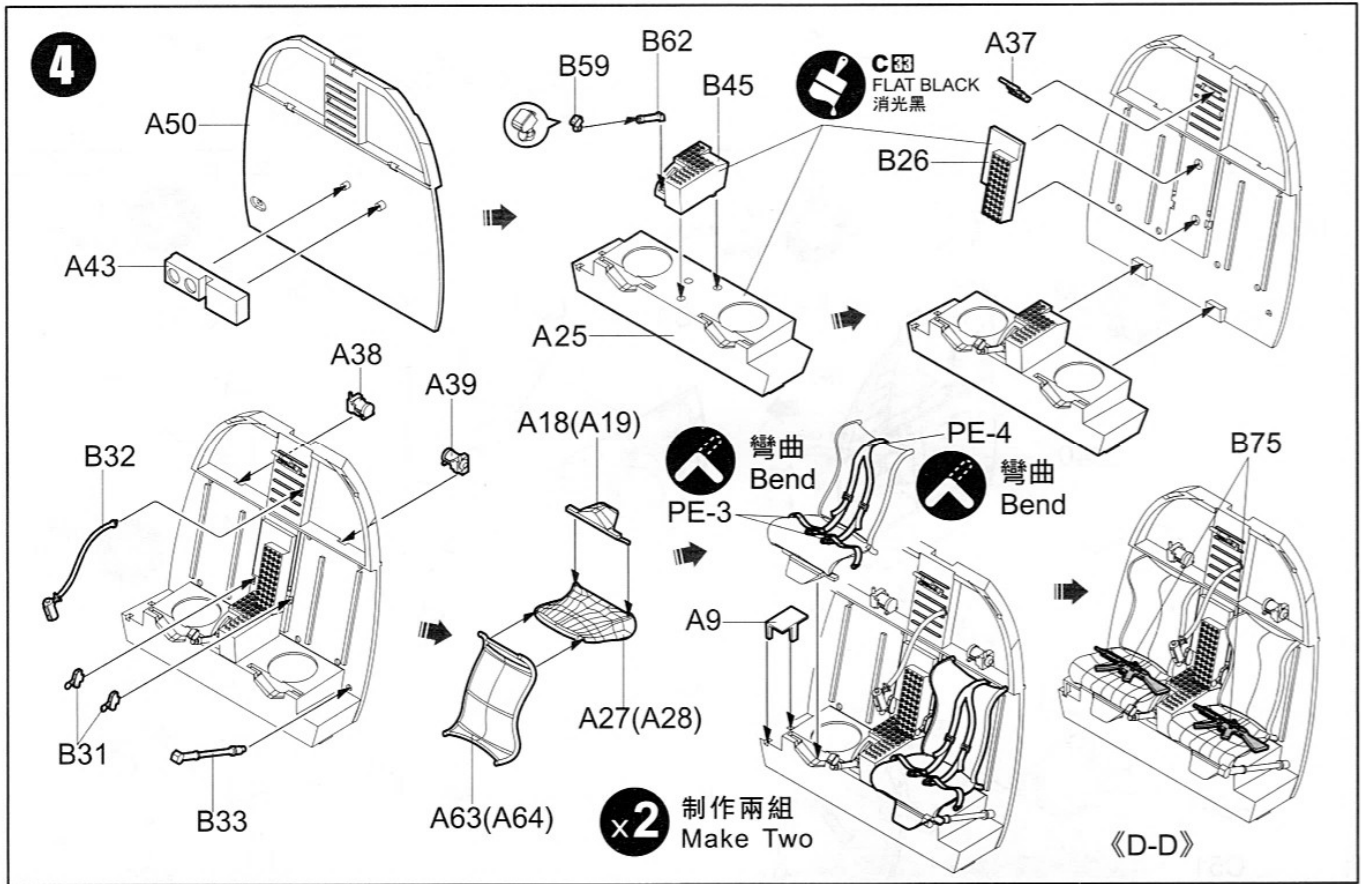
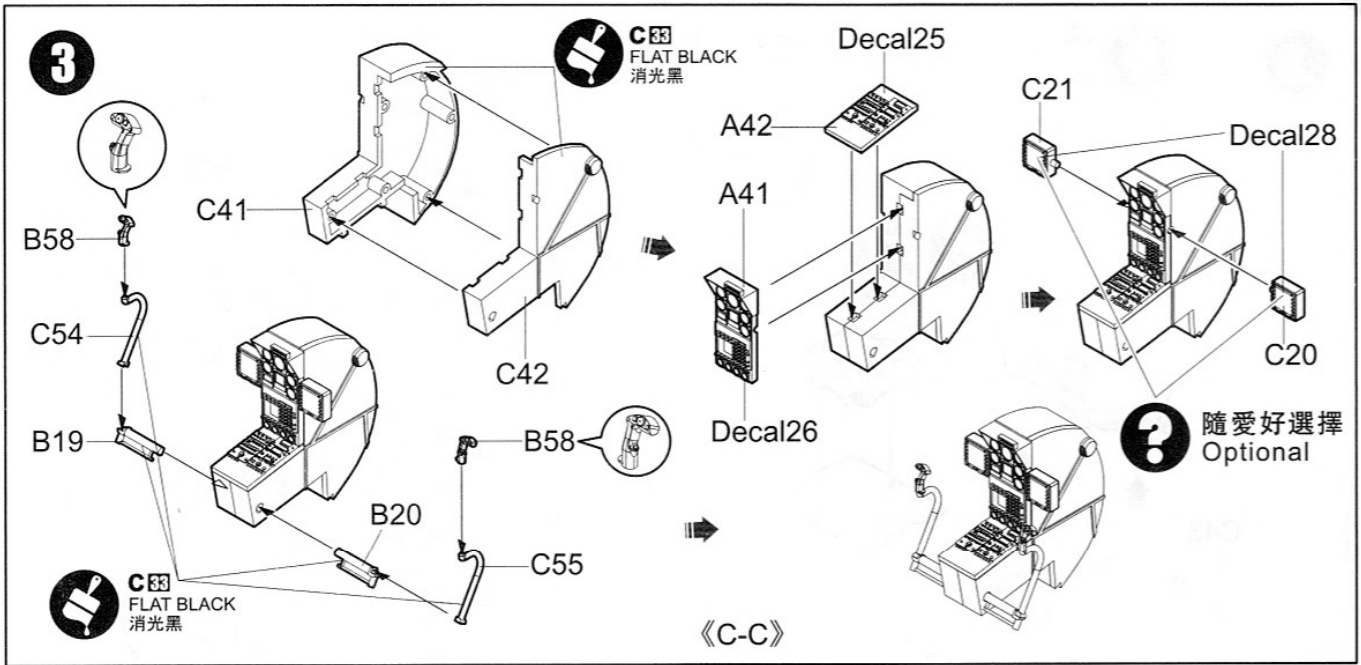
PE
蝕刻片



Decal A
水貼紙A

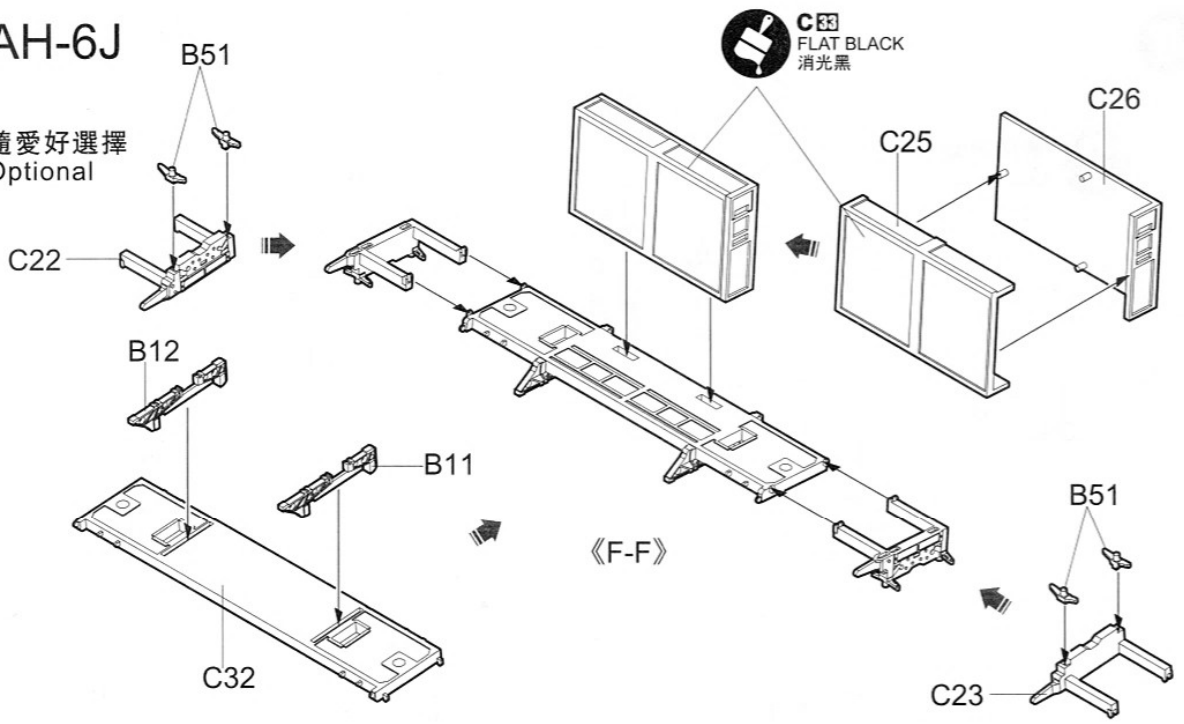






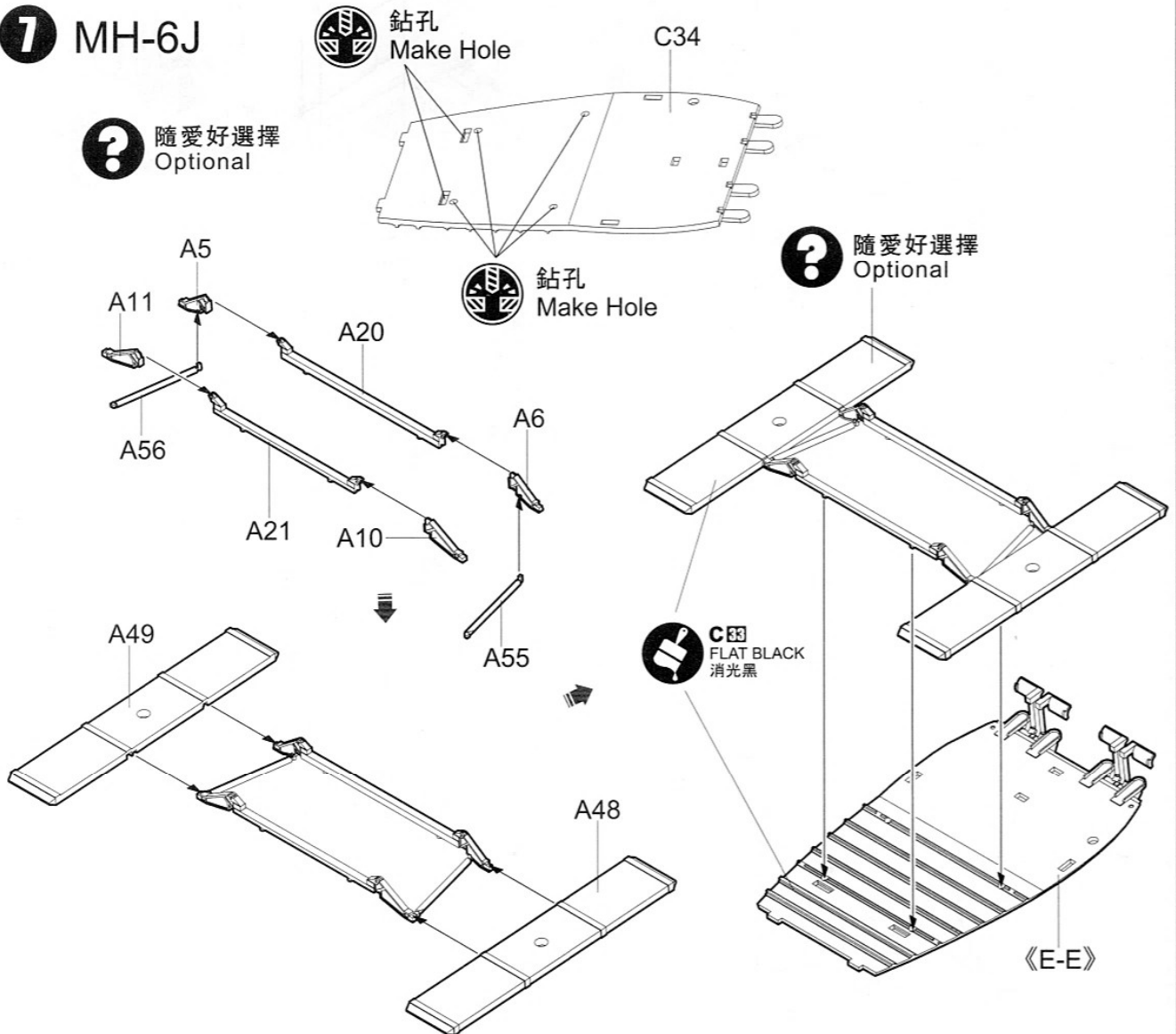
6 AH-6J

? 隨愛好選擇
Optional



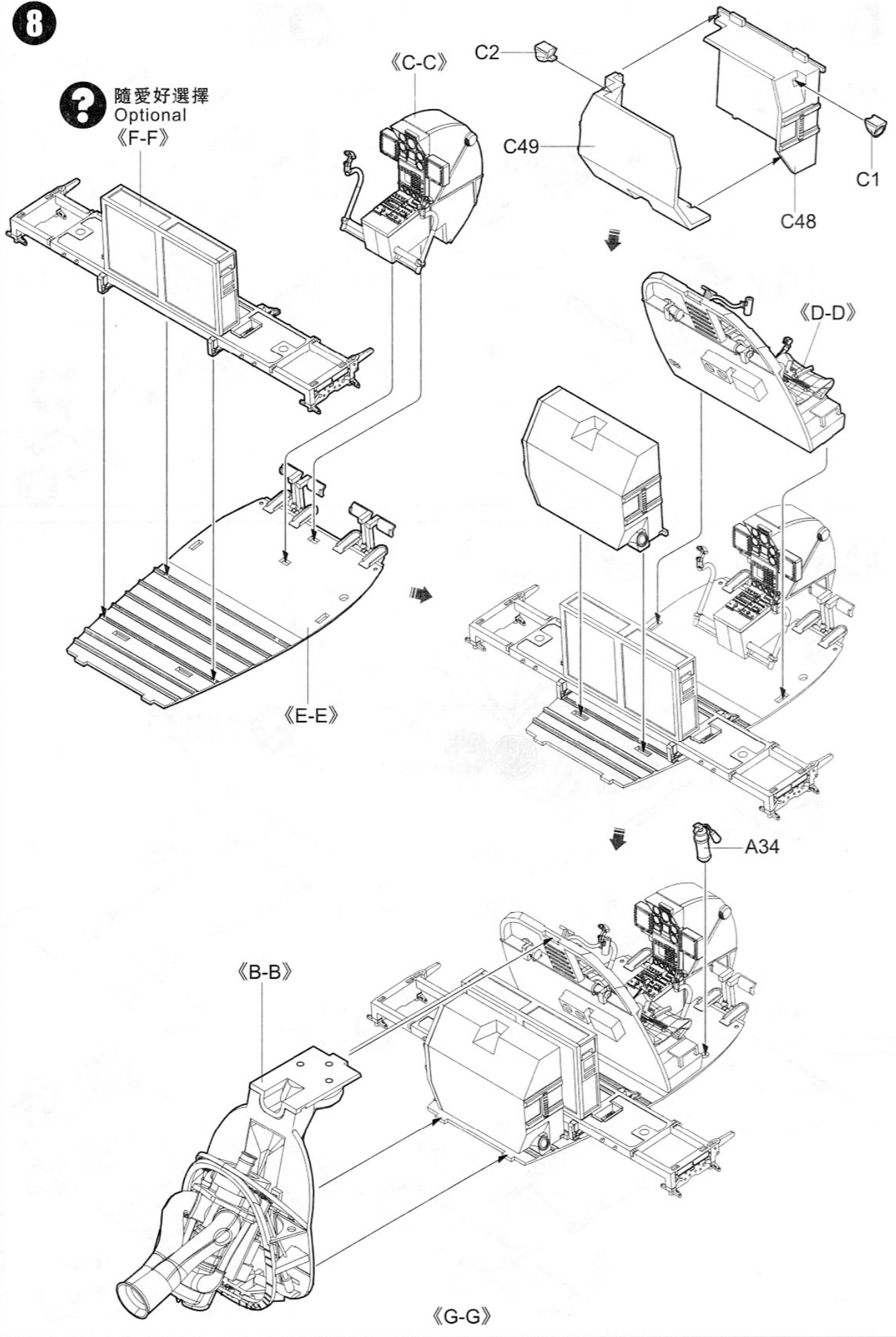
7 MH-6J

? 隨愛好選擇
Optional



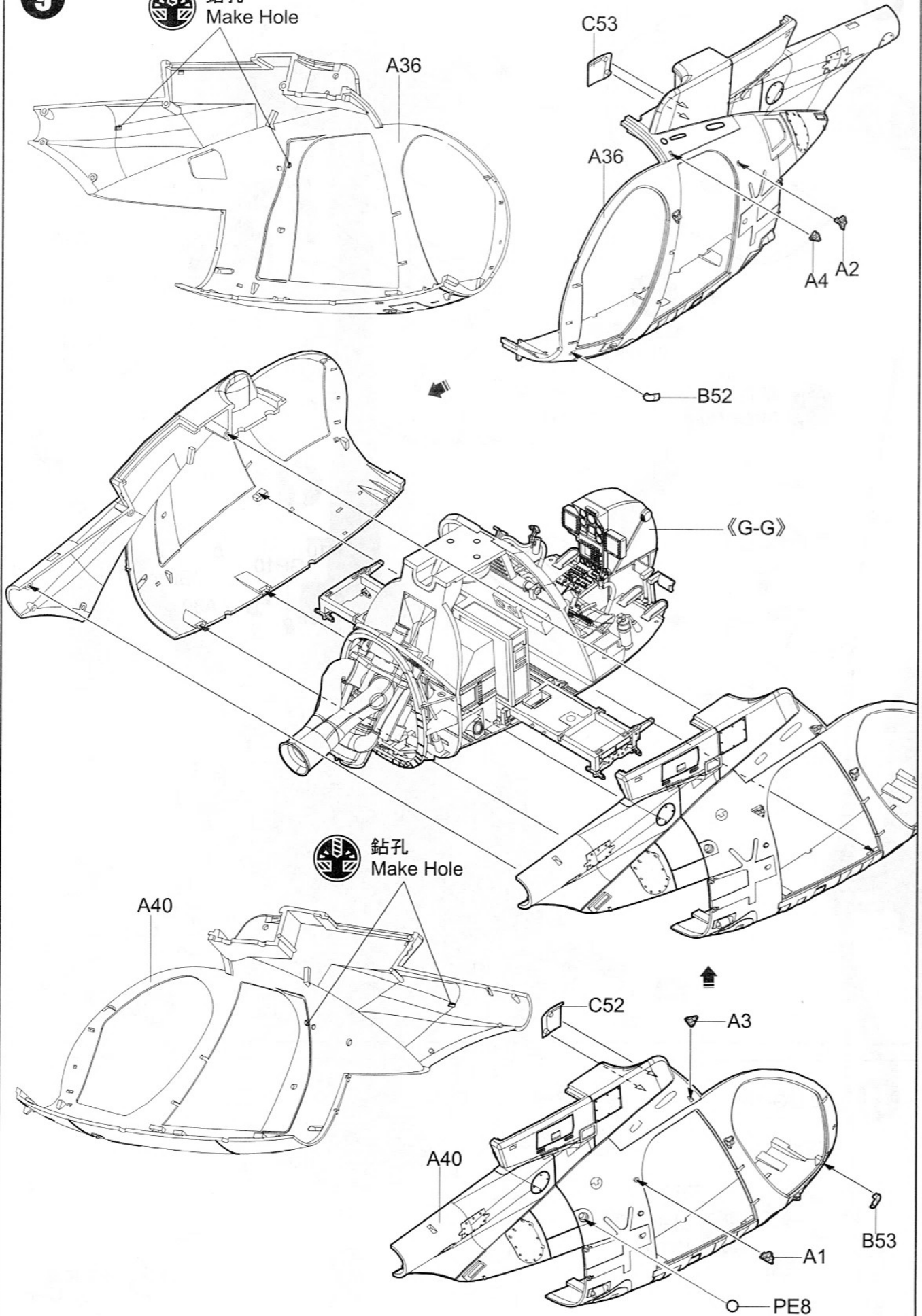
8

隨愛好選擇
Optional
《F-F》

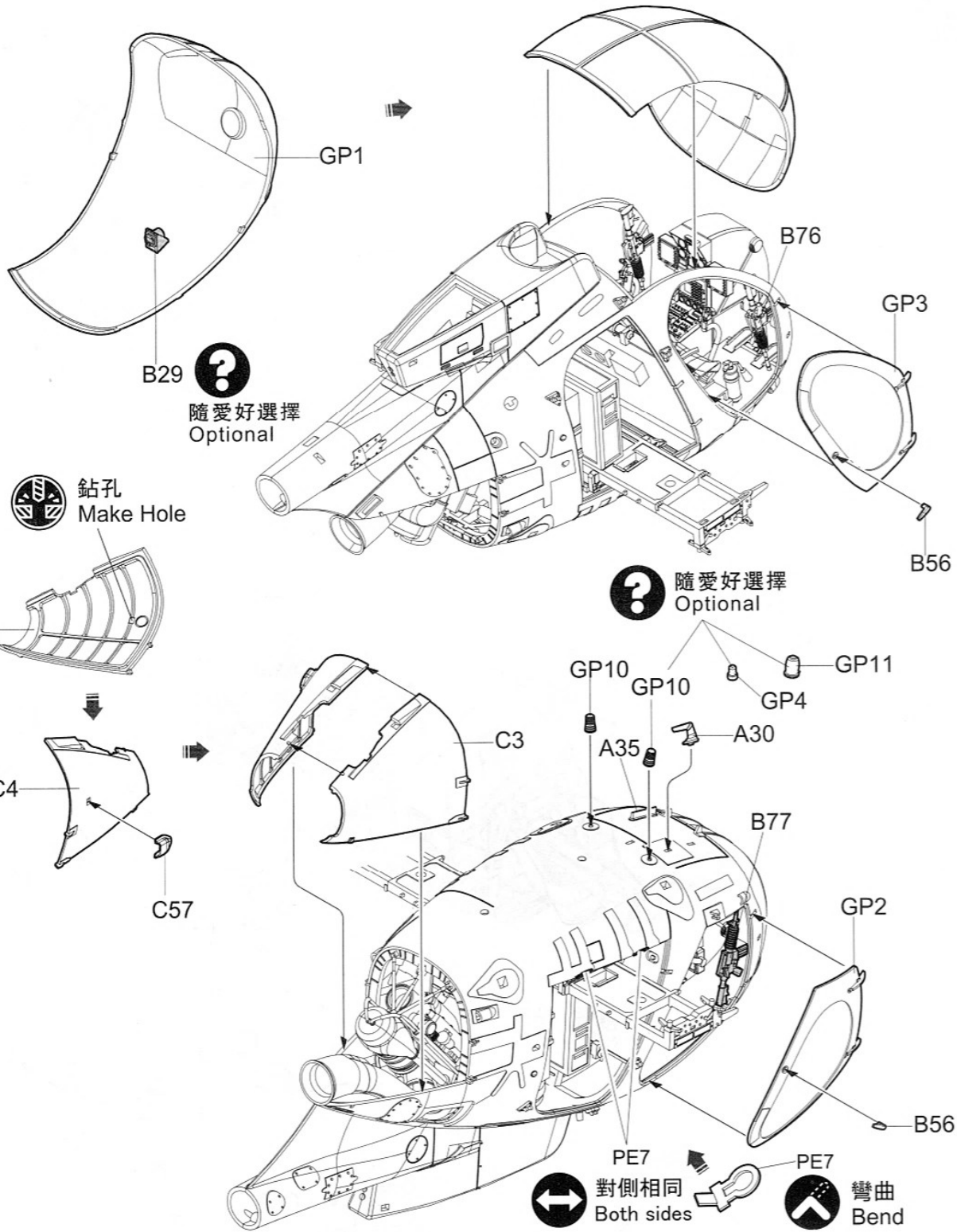


9

鑽孔
Make Hole

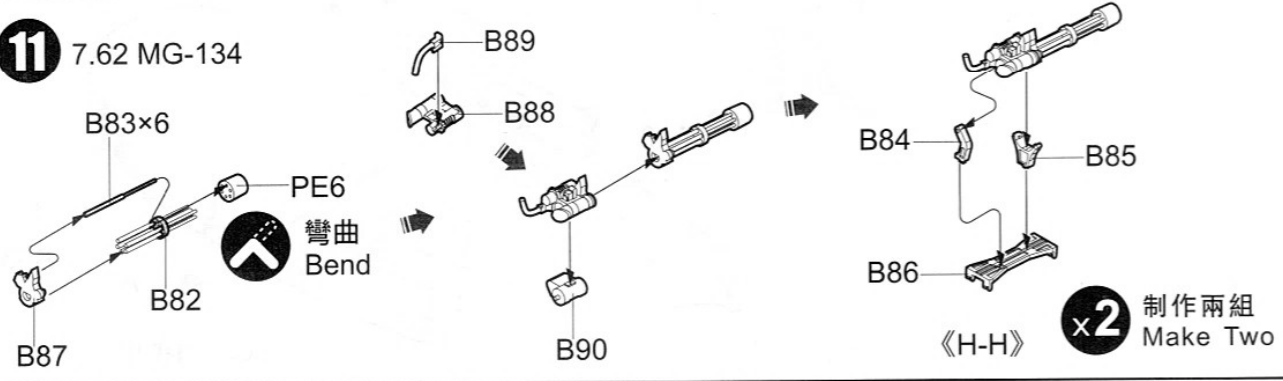


10



11

7.62 MG-134

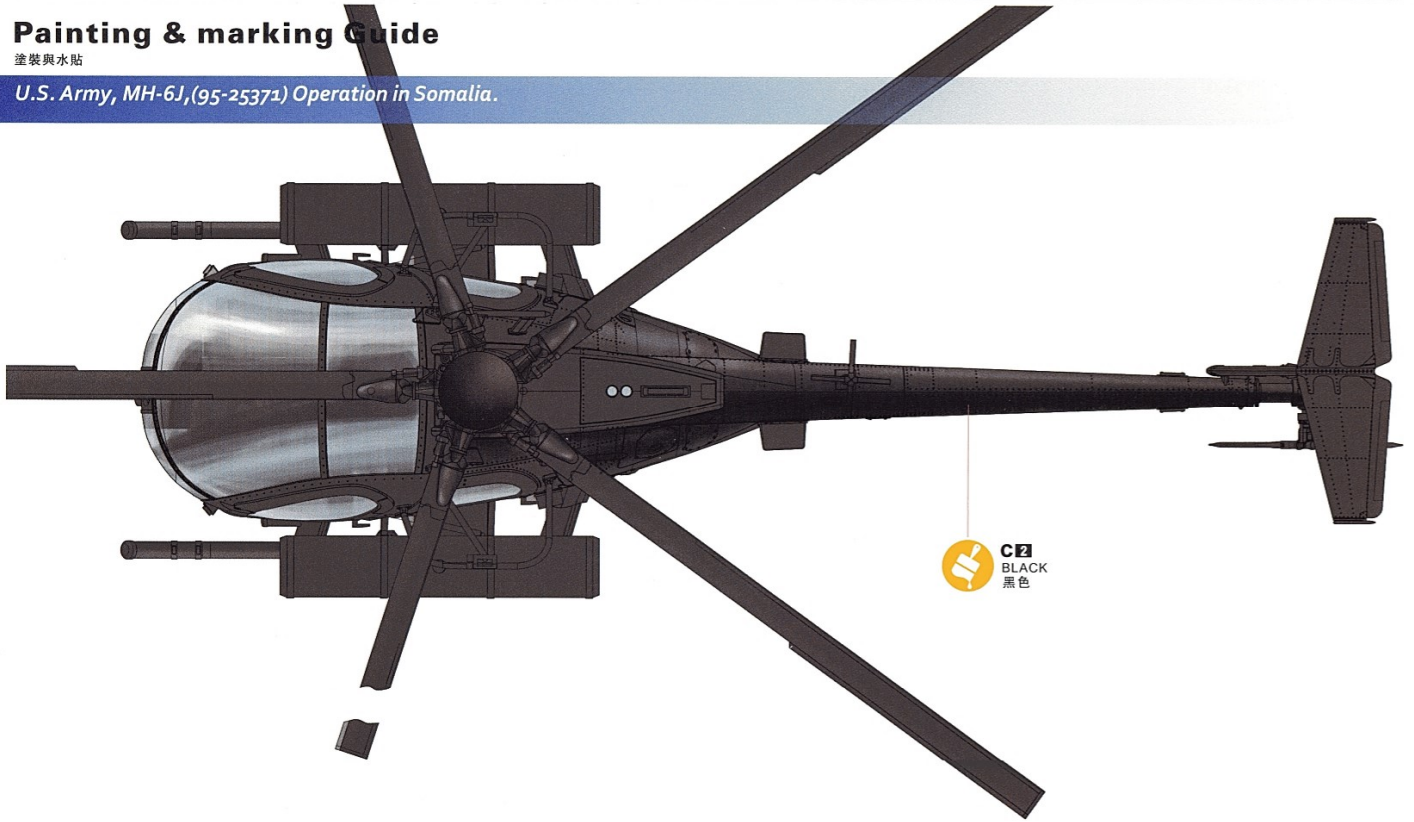


Painting & marking Guide

塗裝與水貼

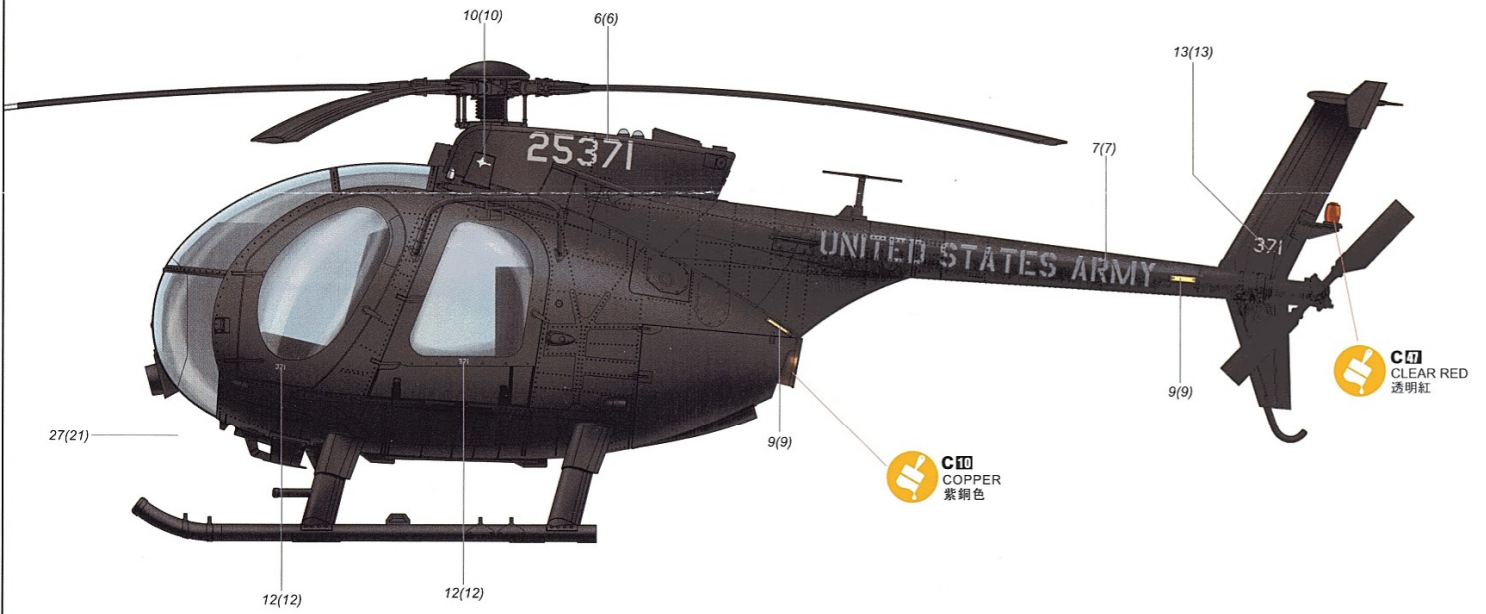
U.S. Army, MH-6J, (95-25371) Operation in Somalia.

6



C2
BLACK
黑色

10



C47
CLEAR RED
透明紅

C10
COPPER
紫銅色



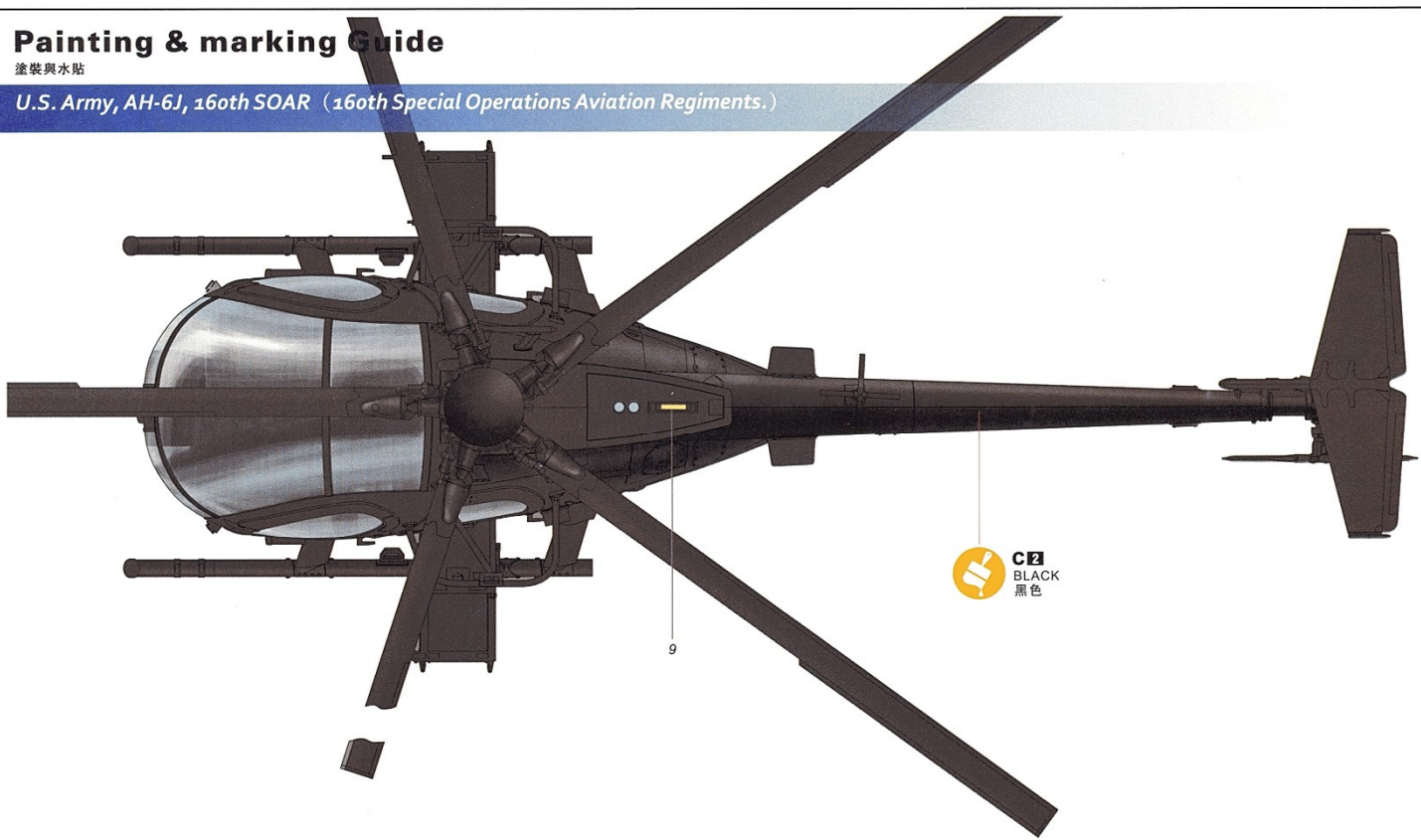
C29

Painting & marking Guide

塗裝與水貼

U.S. Army, AH-6J, 160th SOAR (160th Special Operations Aviation Regiments.)

11



C2
BLACK
黑色

12



C10
COPPER
紫銅色

C17
CLEAR RED
透明紅



C6
BURNT IRON
燒鐵色

C6
BURNT IRON
燒鐵色



2

1

Painting & marking Guide

塗裝與水貼

U.S. Army, AH-6J, (90-223635) operation in Somalia.

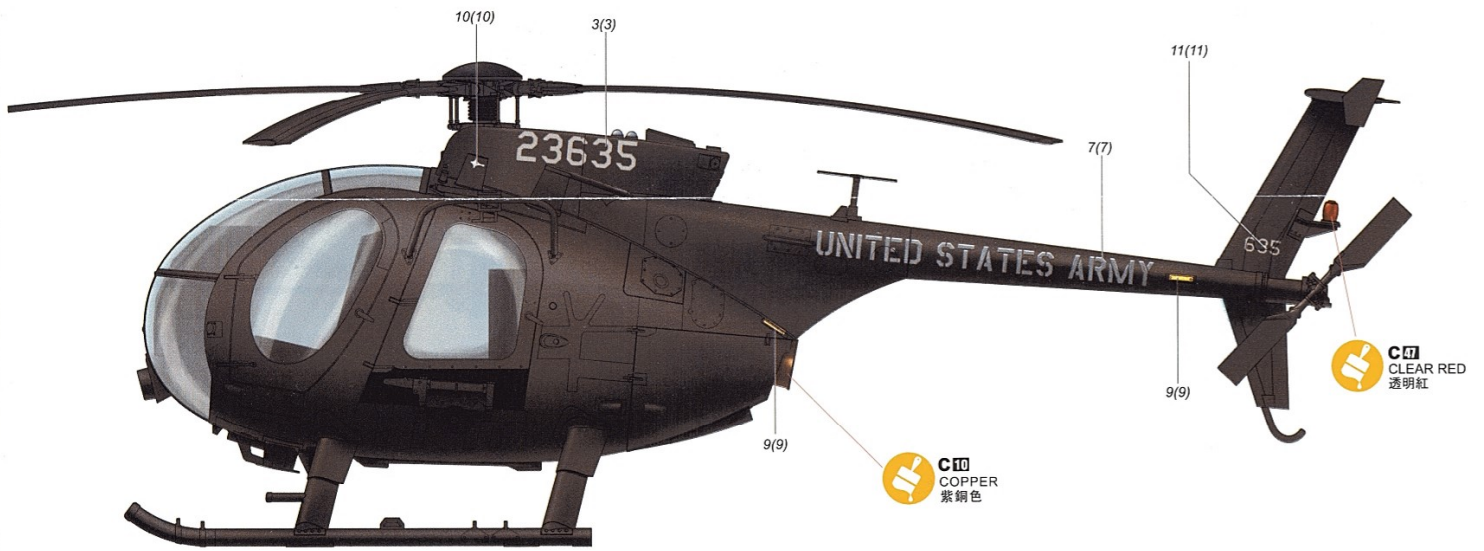
13



C12
BLACK
黑色

9

14



C10
COPPER
紫銅色

C17
CLEAR RED
透明紅

9(9)

9(9)

7(7)

11(11)

10(10)

3(3)

24



C10
COPPER
紫銅色

Painting & marking Guide

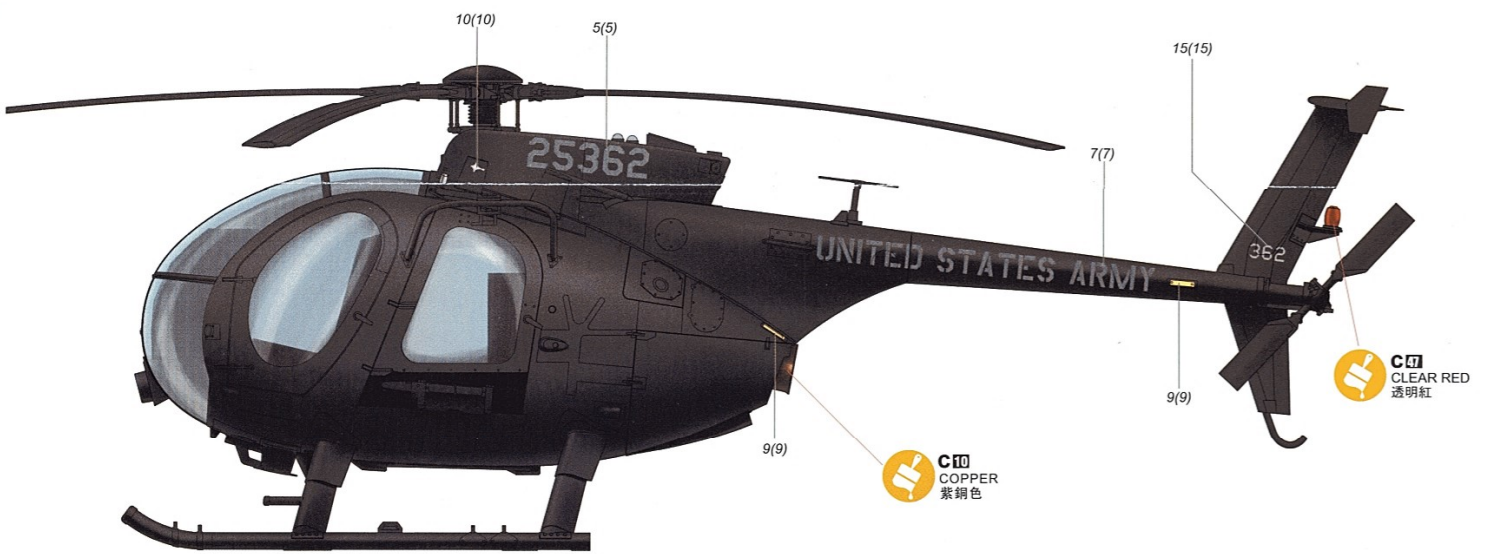
塗裝與水貼

U.S. Army, AH-6J, (90-25362), Operation in Somalia.

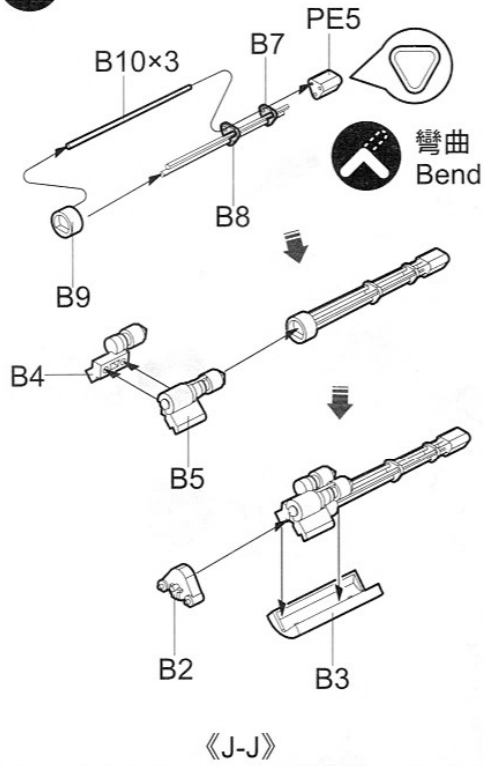
15



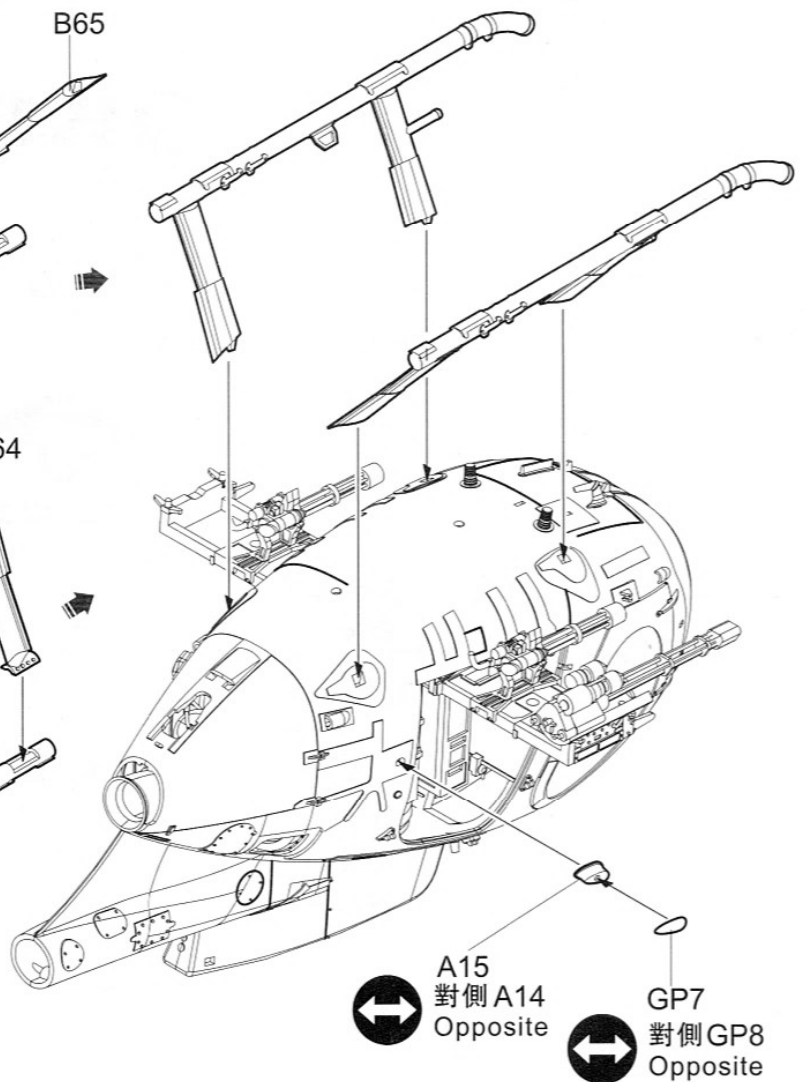
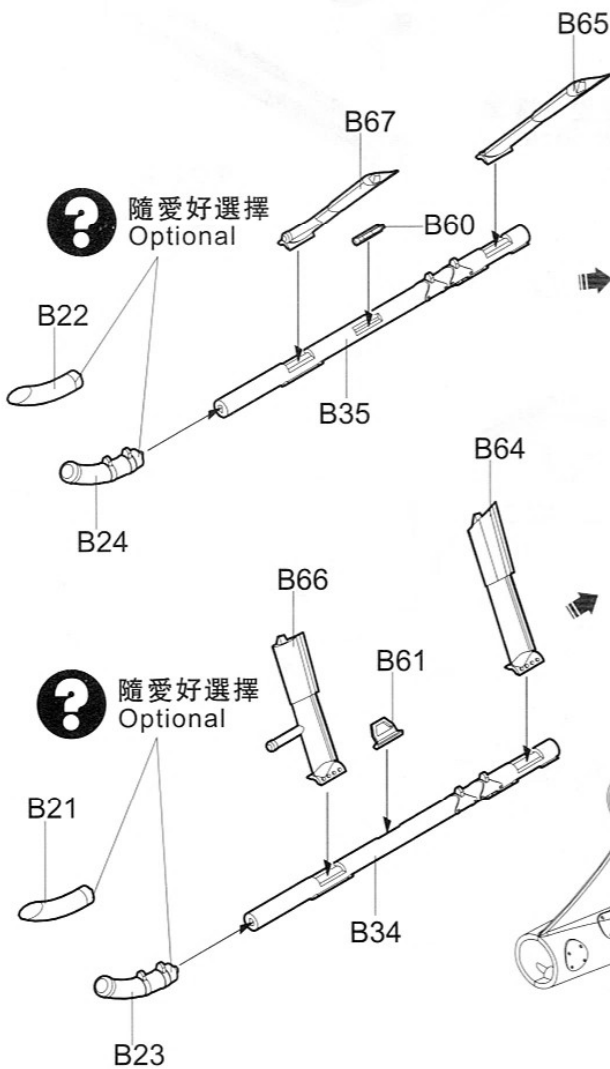
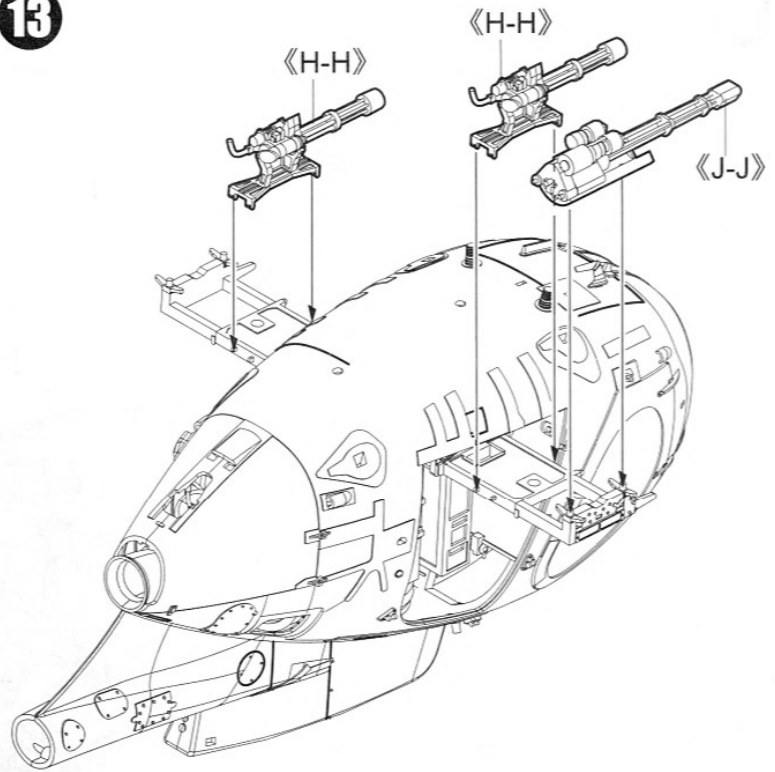
16



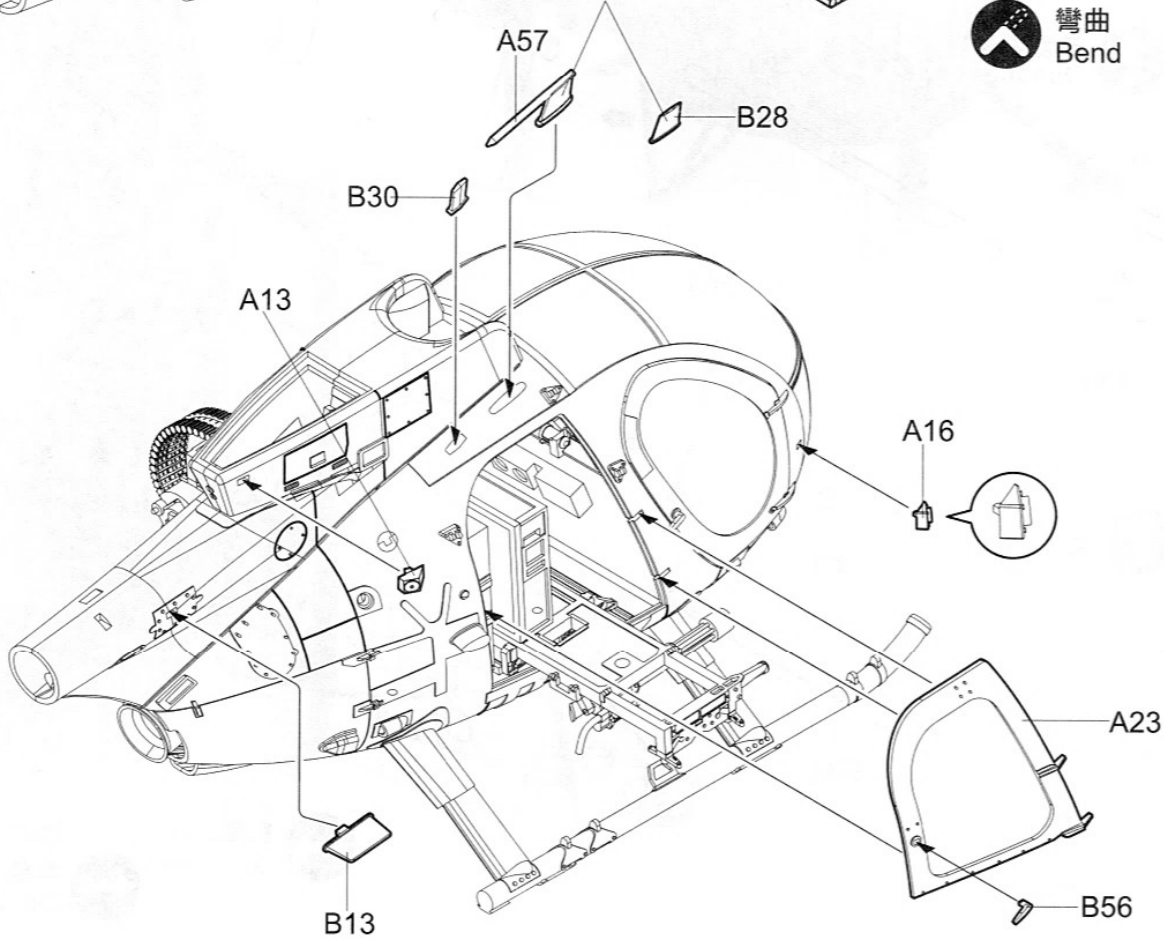
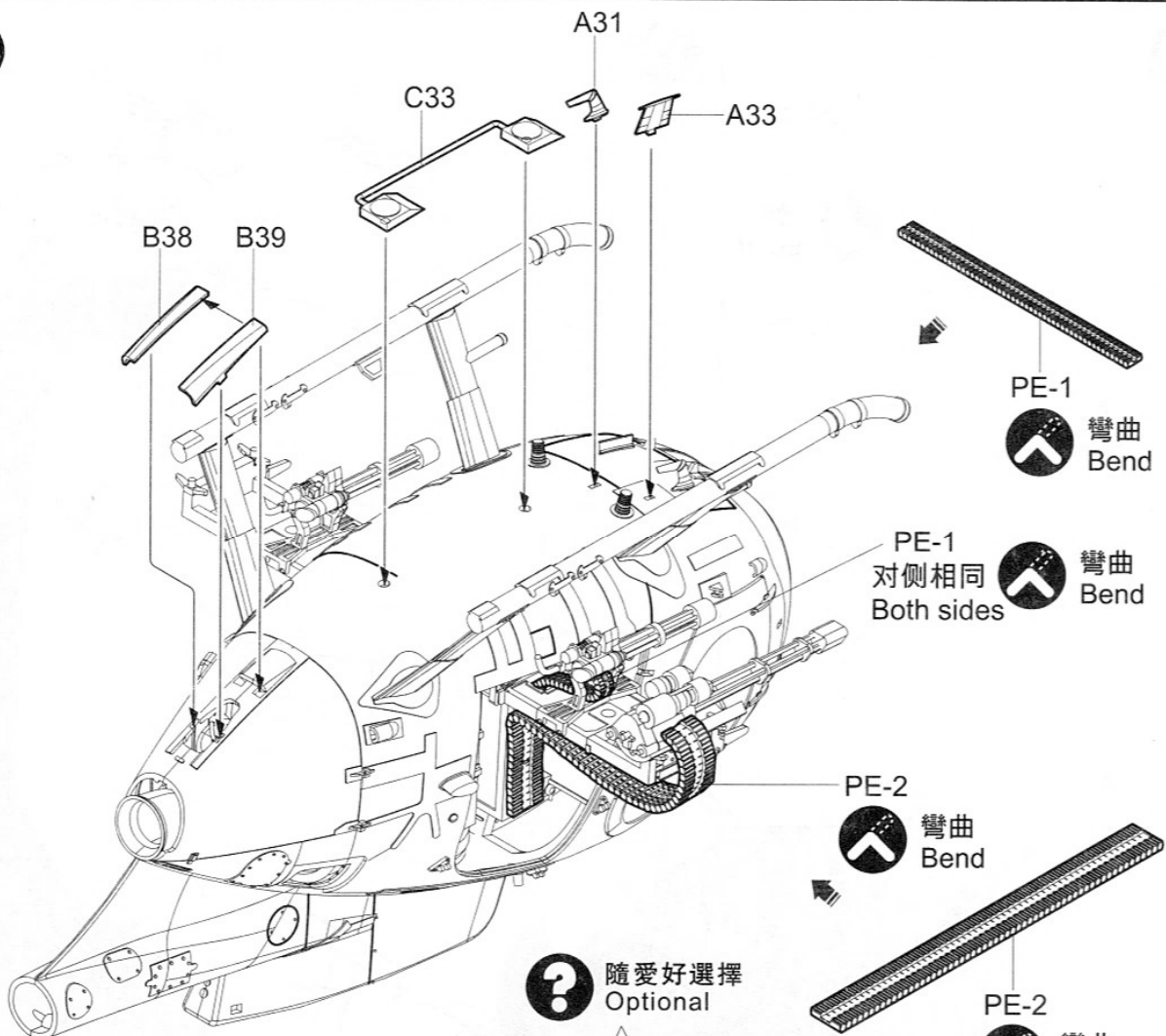
12 .50BMG GAU-19



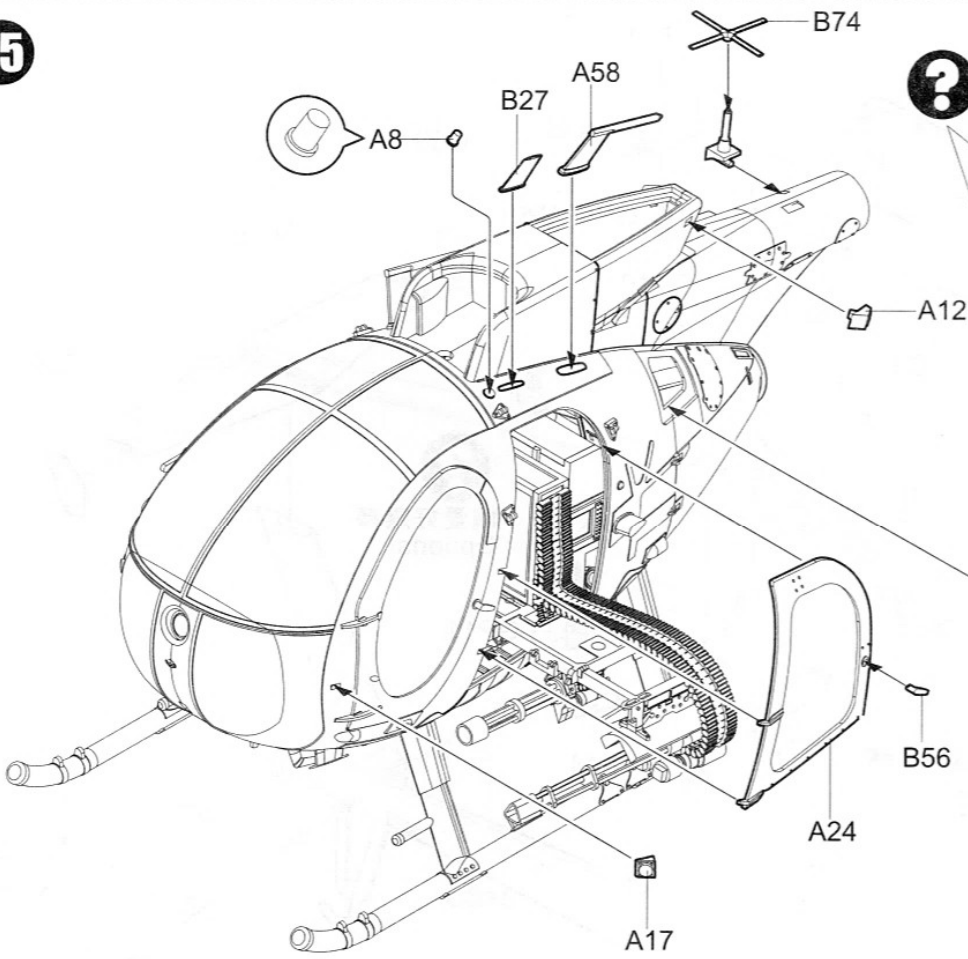
13



14



15



隨愛好選擇
Optional

For MH-6J

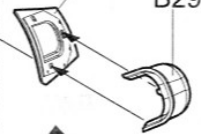
A54



For AH-6J

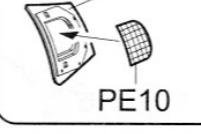
A53

B29

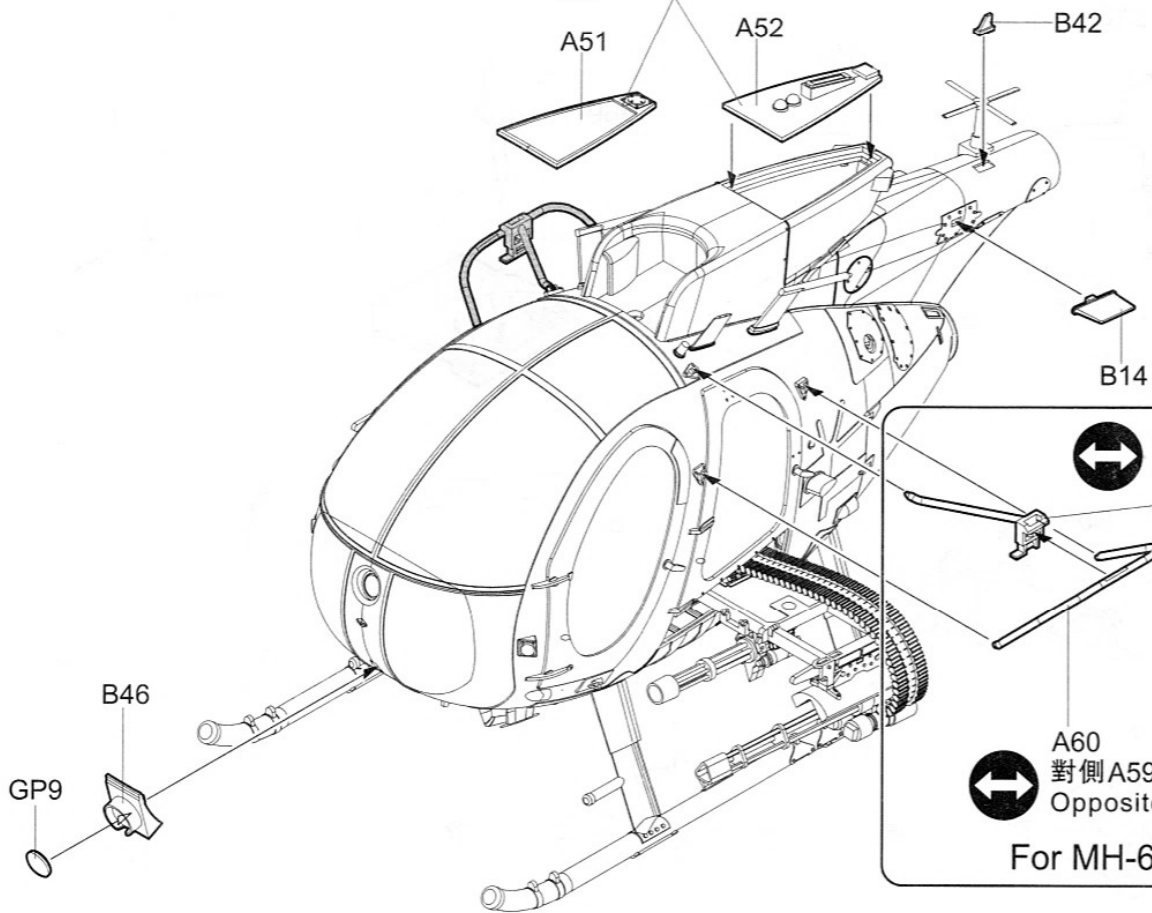


A53

PE10



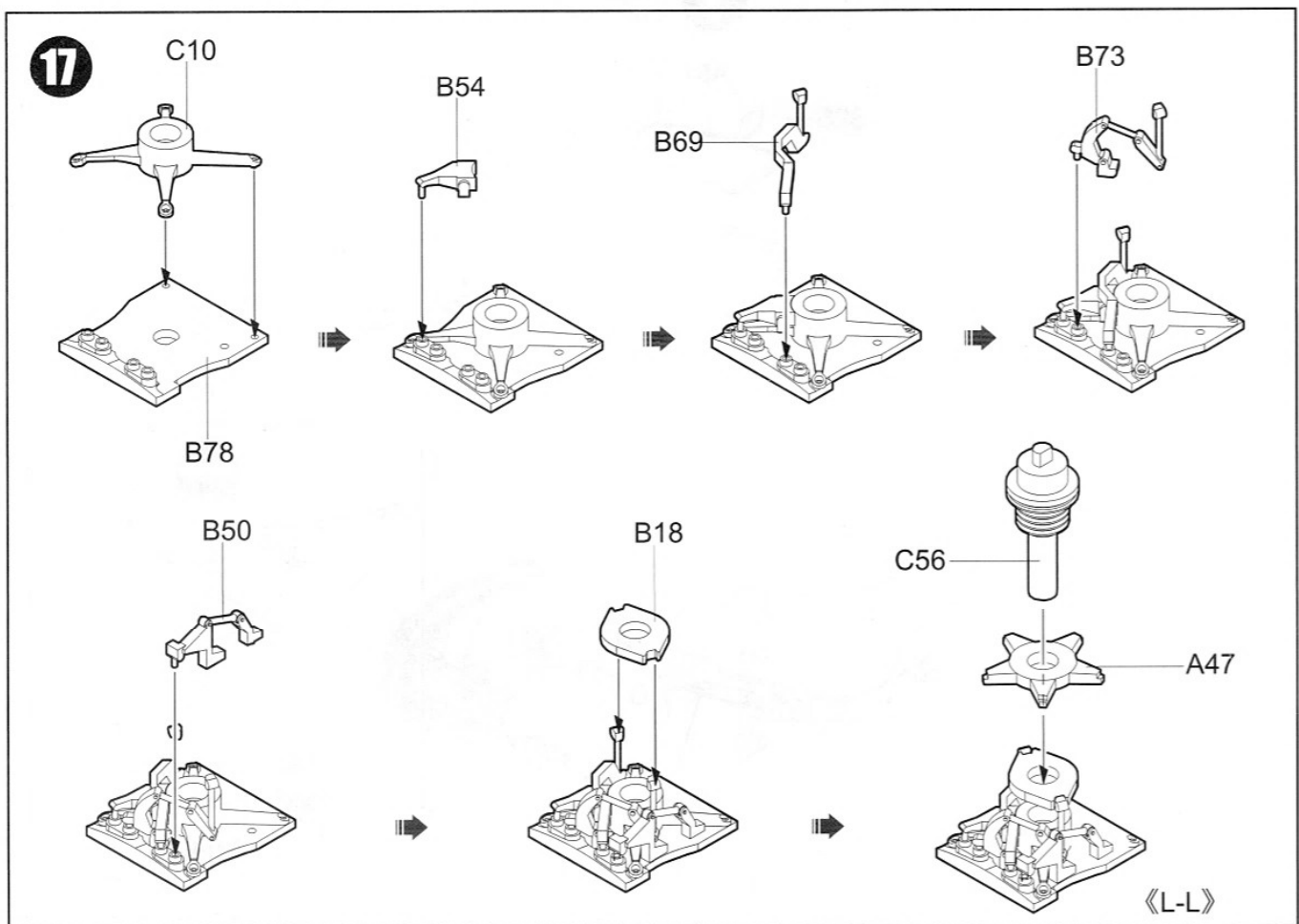
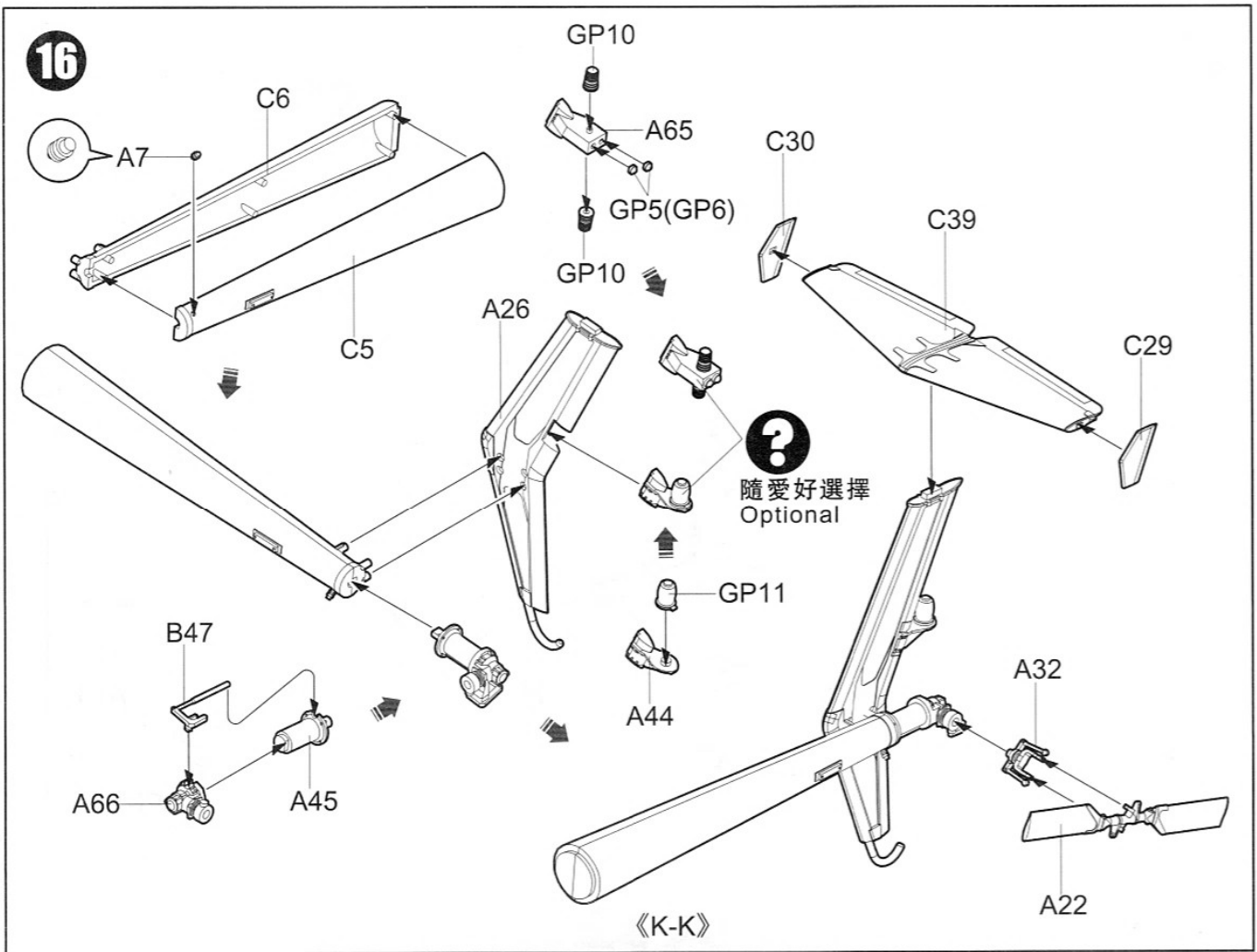
隨愛好選擇
Optional



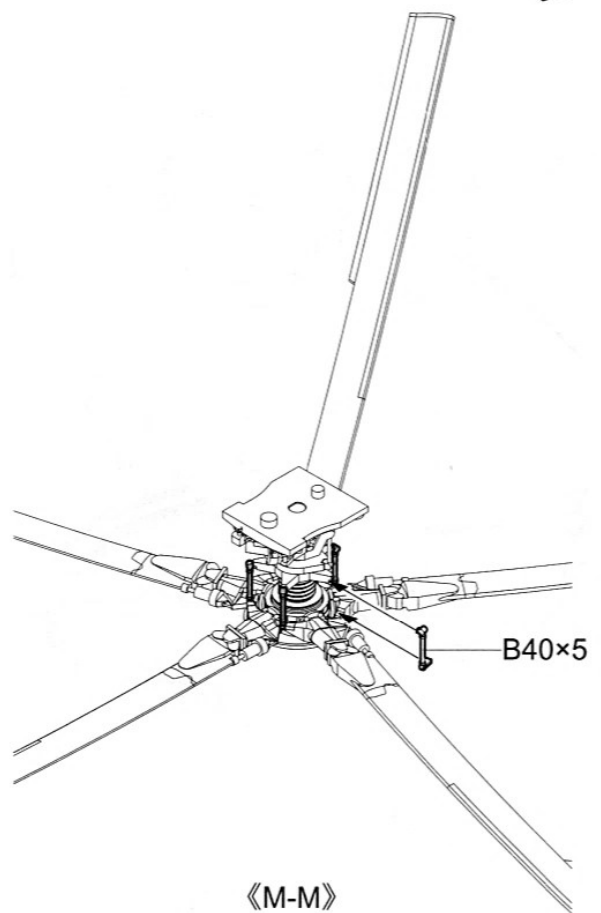
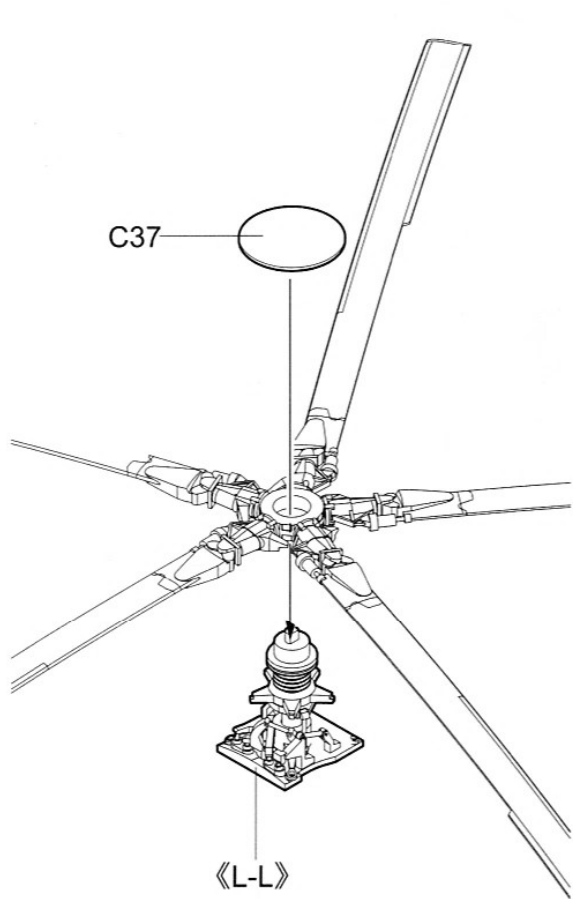
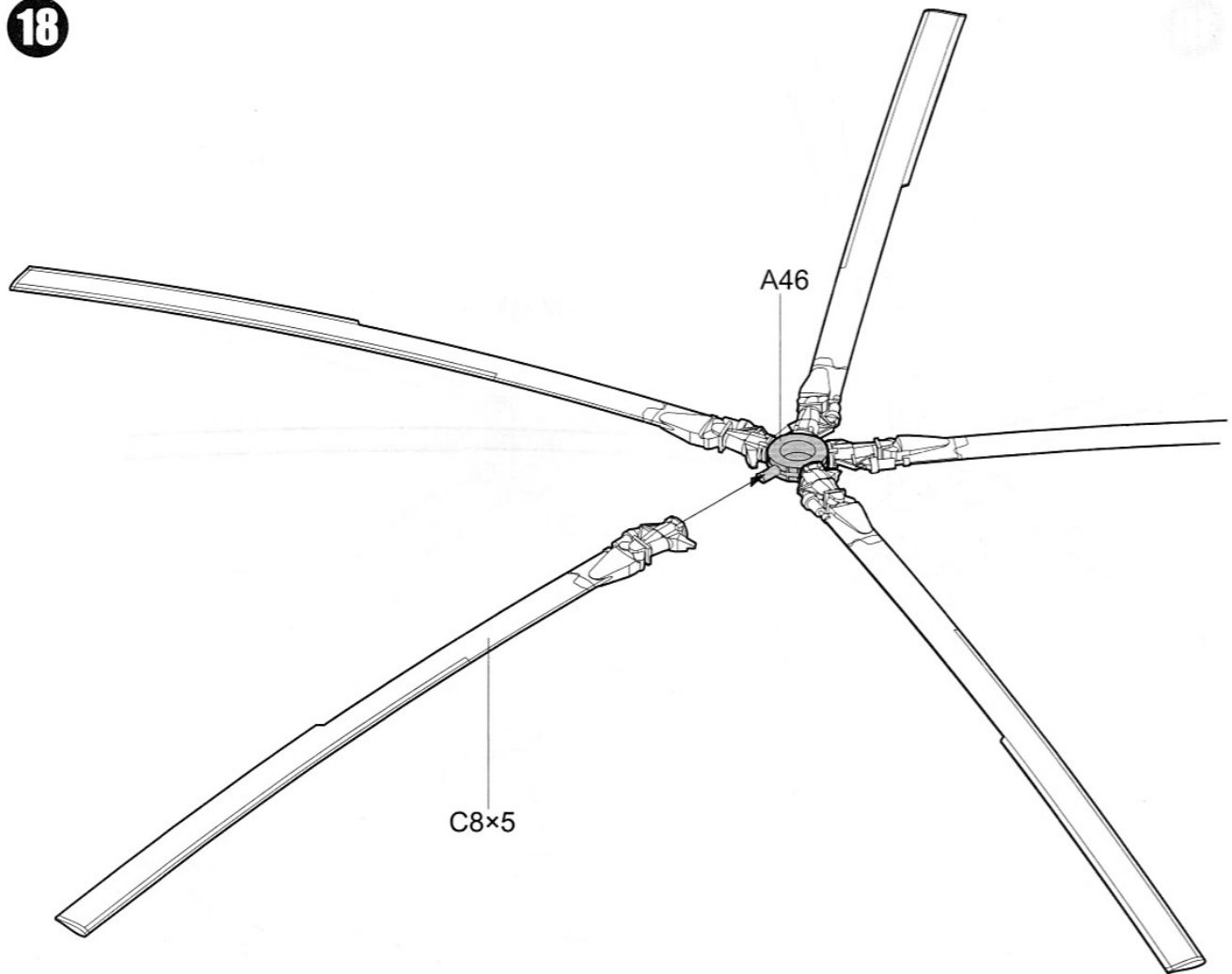
對側 A61
Opposite
A62

對側 A60
Opposite
A59

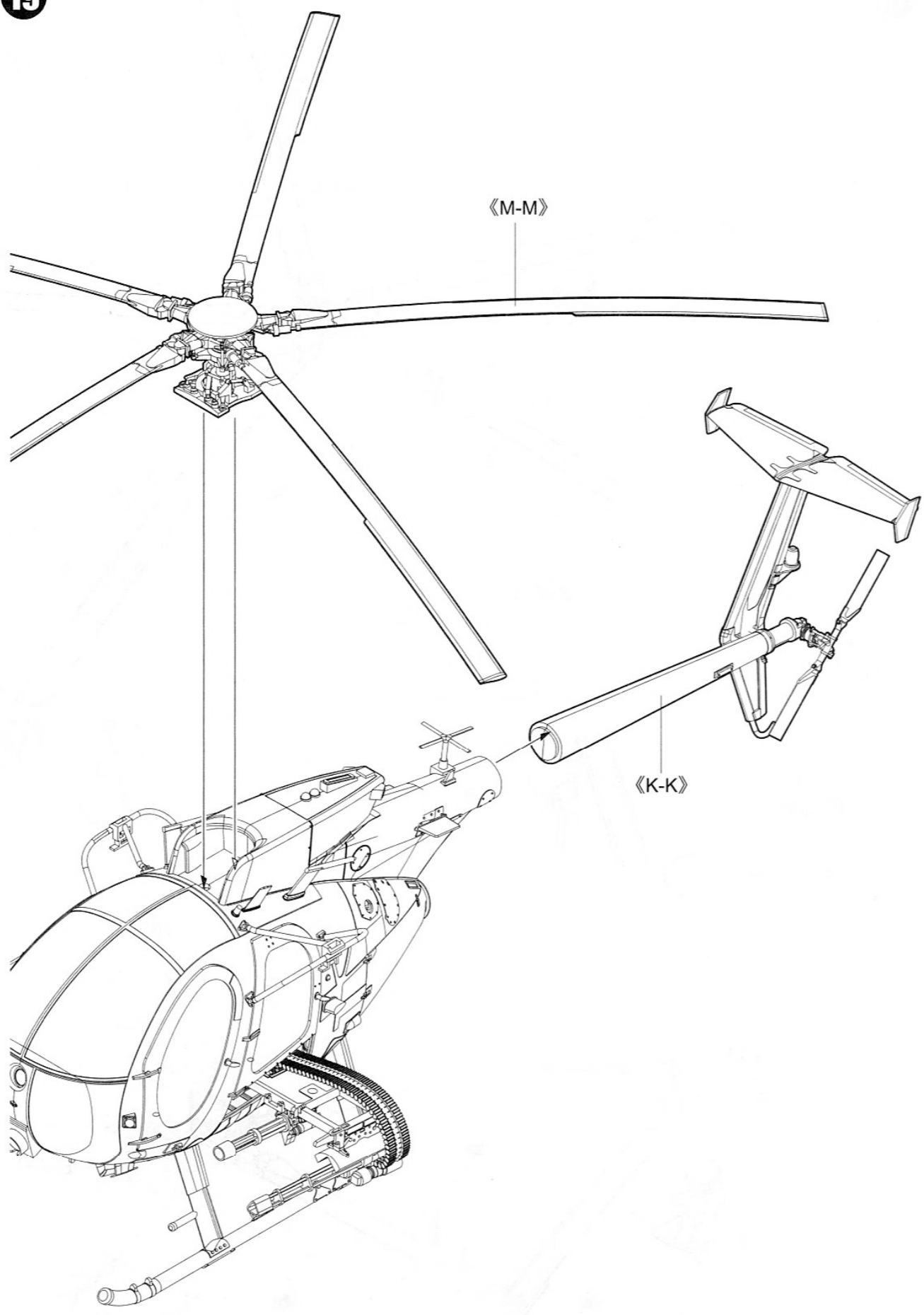
For MH-6J



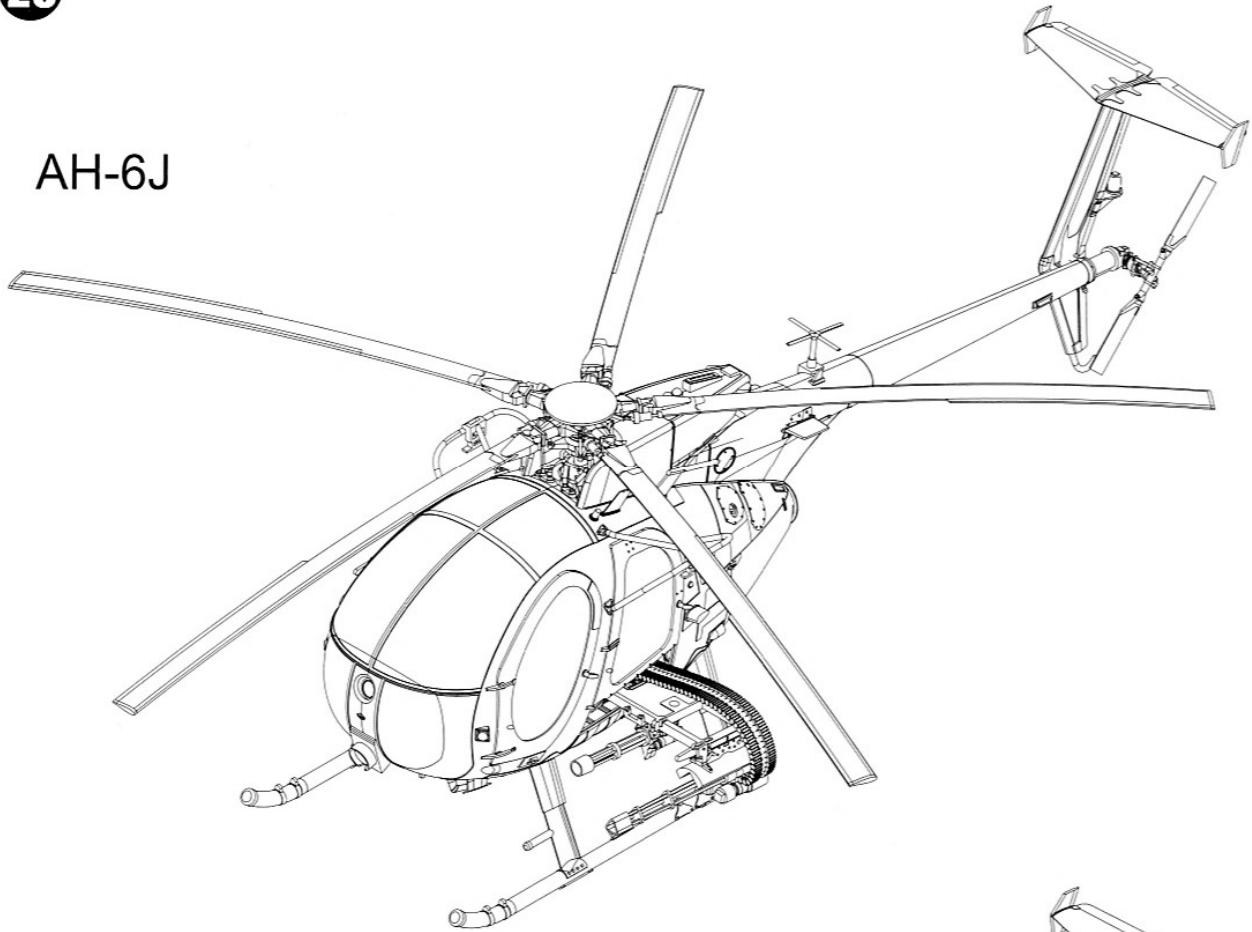
18



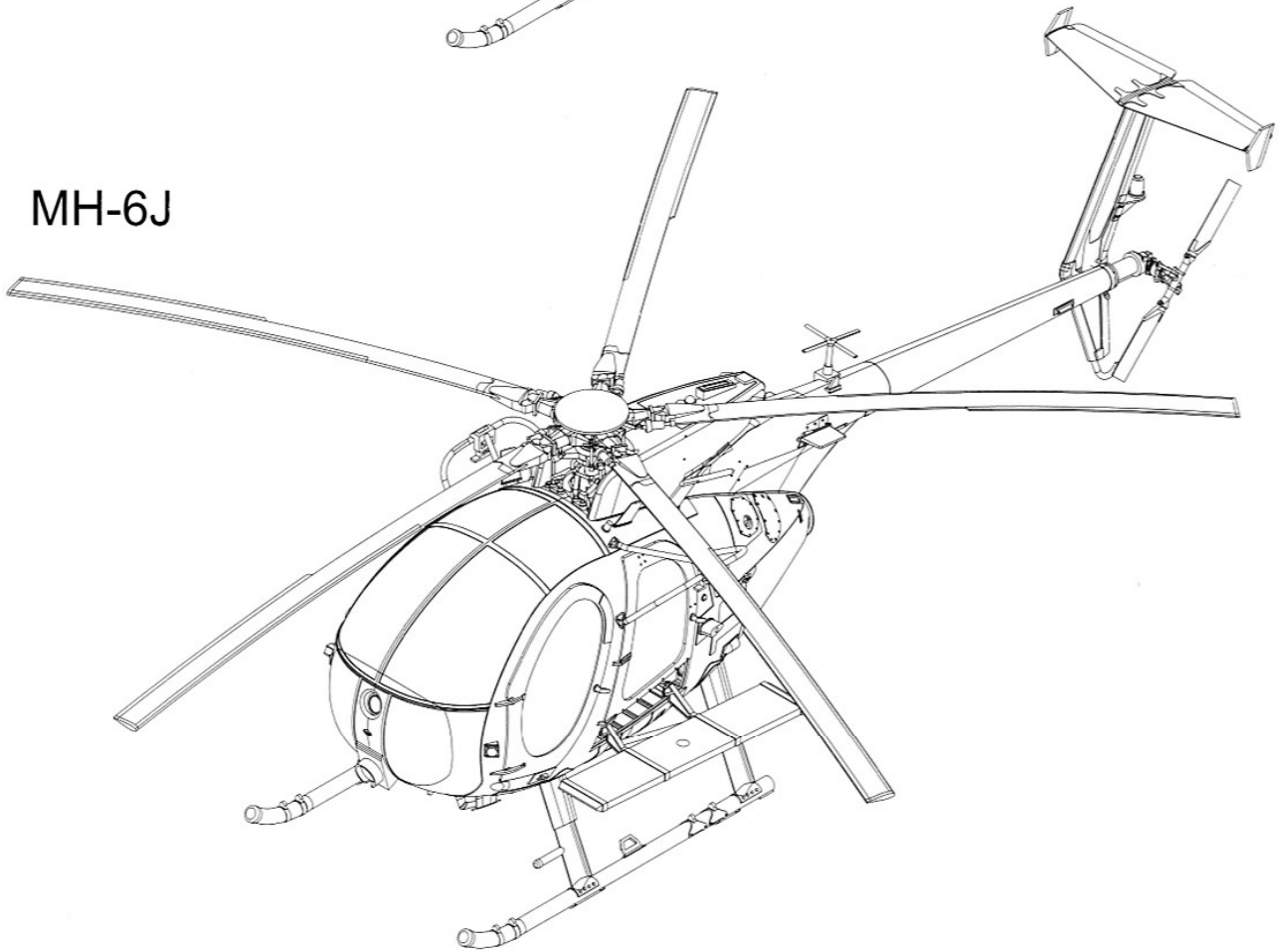
19



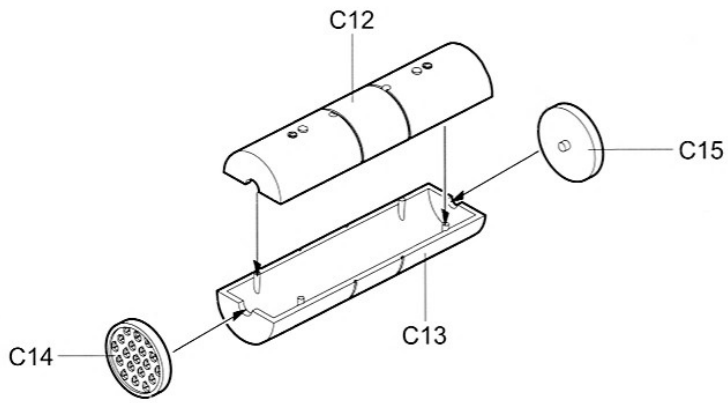
AH-6J



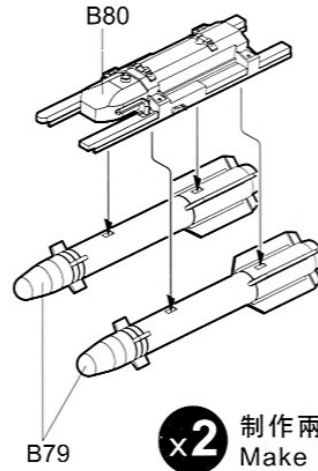
MH-6J



21 M260 FFAR 2.75" 12-Rocket pods.

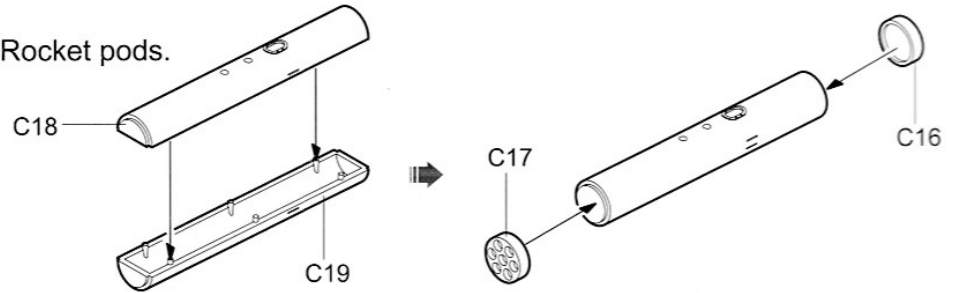


22 AGM-114 Hellfire

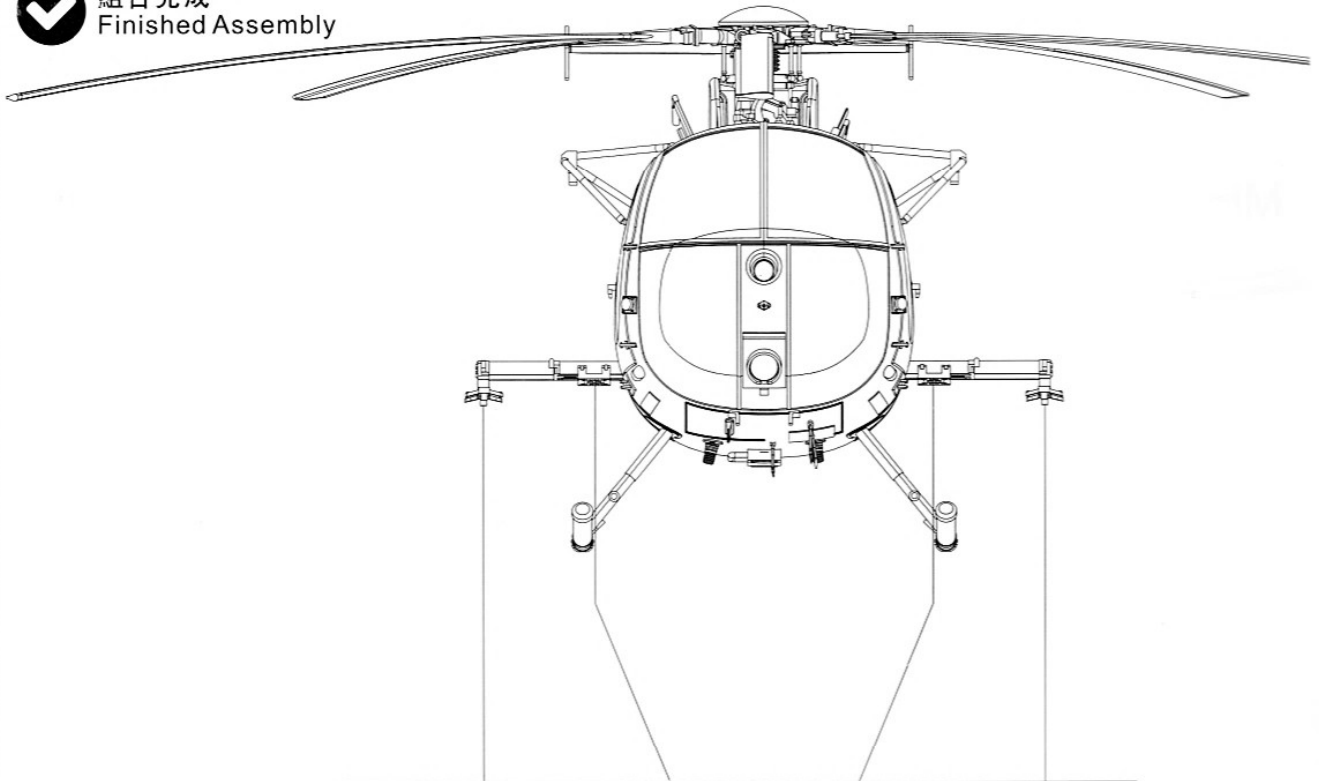


x2 制作兩組
Make Two

23 M260 FFAR 2.75" 7-Rocket pods.



✓ 組合完成
Finished Assembly



Missile	Sta.No	1	2	3	4
.50BMG GAU-19					●
7.62 MG-134			●	●	
M260 FFAR 2.75" 12-Rocket pods.		●			●
M260 FFAR 2.75" 7-Rocket pods.		●			●
AGM-114 Hellfire		●			●

1

2

3

11

12

17

18

19

UNITED STATES ARMY U.S. ARMY U.S. ARMY

23635 23635



25348 25348

371 371 371 371 20



25362 25362

348 348 348 362 362 23



25371 25371

362 362 24



UNITED STATES ARMY

UNITED STATES ARMY

U.S. ARMY U.S. ARMY



9

10

29

28

31

30



KITTY HAWK

KH50003 AH-6J & MH-6J

Copyright 2017. All rights reserved

NO STEP NO STEP NO STEP NO STEP

NO STEP NO STEP NO STEP NO STEP

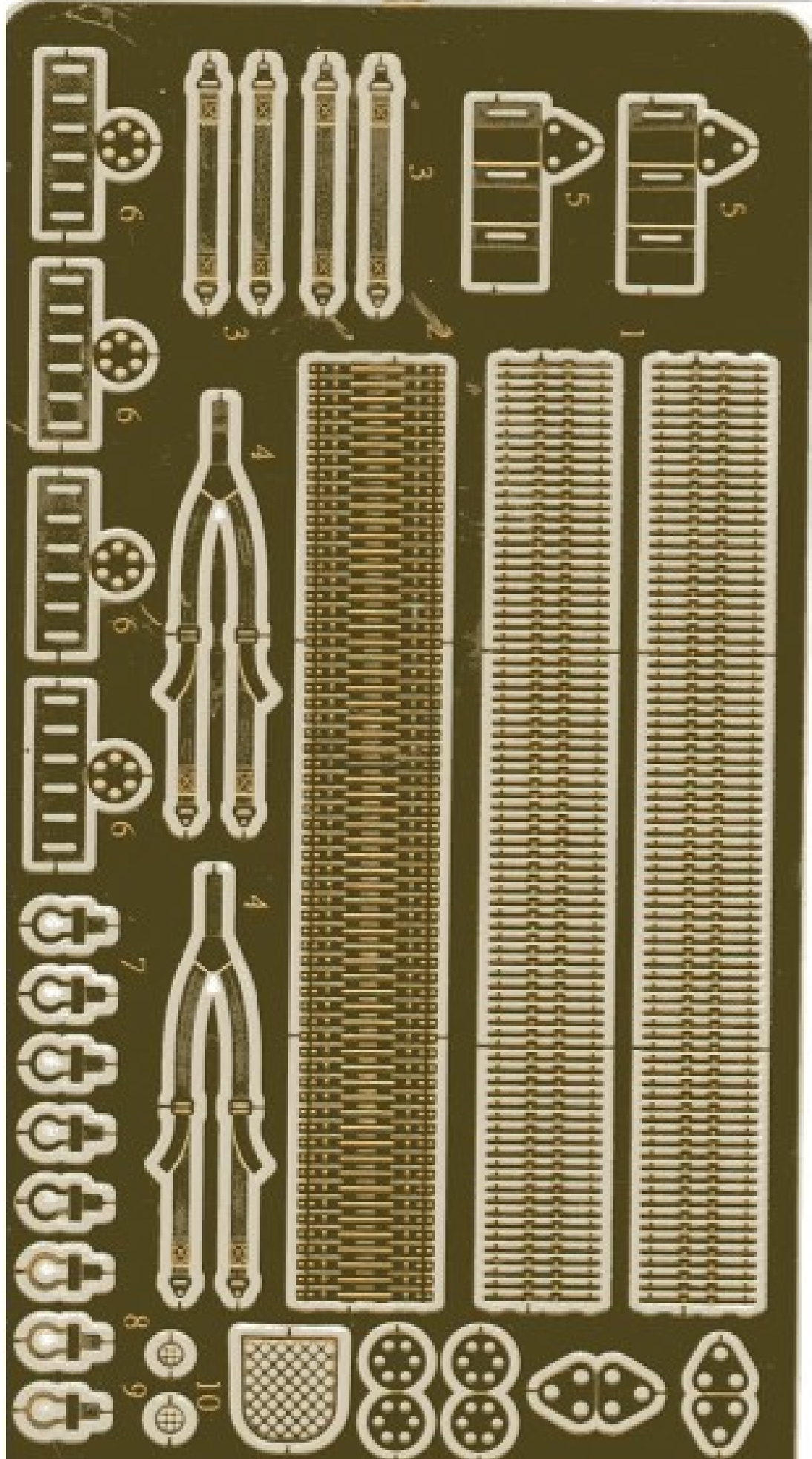
NO STEP NO STEP NO STEP NO STEP

NO STEP NO STEP NO STEP NO STEP

NO STEP NO STEP NO STEP NO STEP

NO STEP NO STEP NO STEP NO STEP

NO STEP NO STEP NO STEP NO STEP



KITTY HAWK KH50003 AH-6J/MH-6J