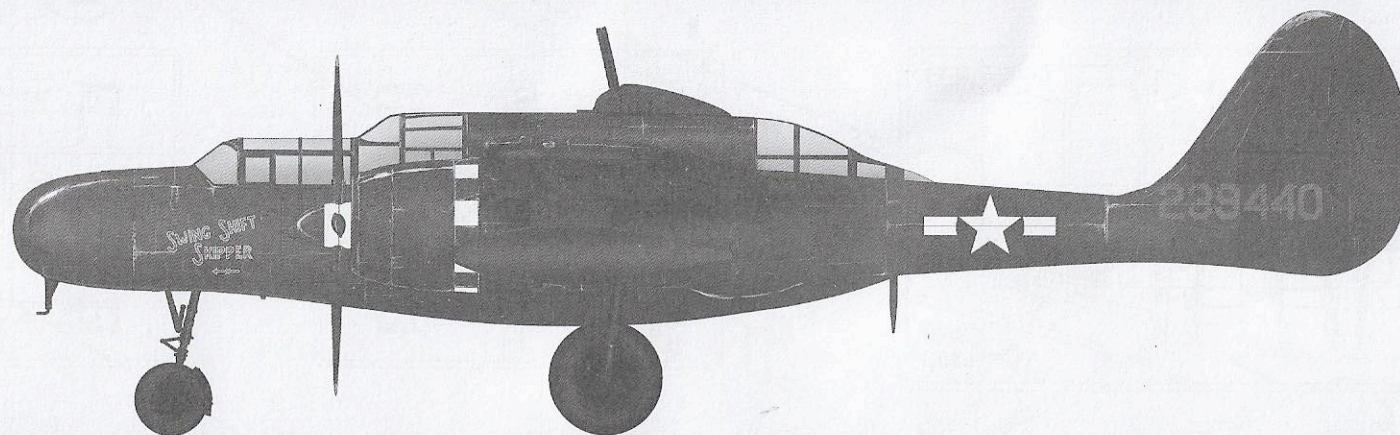


1:72 Scale

Item No.:87262



# US P-61B Black Widow

P-61B ブラックウイドウ

美国P-61B“黑寡妇”战斗机

### PLEASE READ BEFORE OPERATION!

- \* Tools recommended as below: (Not included)  
Adhesives; Paints; Side Cutters; Sharp Edged Pliers; Modeling Knife; Modeling File; Nippers; Drill; Scissors; Sand Paper; Soft Cloth; Cyanoacrylate Glue.
- \* Make sure to read this instruction listed below before assembling.
- \* The kit contains the small parts, they can be dangerous if swallowed by mistake, so keep them away from reach of children.
- \* Cut the all parts off carefully and remove the waste parts into the garbage can.
- \* More caution and care should be needed for cutting and handling the photo etched parts.
- \* Make attention that some parts should be attached the decal when assembled.
- \* During assembling, please tear up and throw away the plastic bags, or may cause the dangerous if wearing over head by children's mistake.
- \* When using the adhesives and paints, please do not use them in the closed room or near the fire, also must be very careful to protect your eyes, face and clothes.
- \* Adult supervised when assembled by children under 14 years old.

### 装配前请仔细阅读:

- \* 推荐使用的模型工具(请自备):  
专用模型胶水, 专用模型油漆, 水口剪刀, 长咀钳, 刀片, 锉刀, 镊子钳, 钻, 剪刀, 软布, 砂纸, 瞬间快干胶等。
- \* 用水口剪刀或刀片小心切下所有塑胶零件和蚀刻片零件, 不要遗失小零件。
- \* 切取蚀刻片时应特别注意防止利边划伤手指。
- \* 用模型锉刀小心锉平所有零件表面的注射浇口。
- \* 用适量的强力快干胶水粘合蚀刻片零件和金属轴, 切忌过量, 否则可能导致可动零件被粘住。
- \* 注意某些零件表面需在装配时同步贴上水贴纸。
- \* 制作时应远离幼儿并将包装袋及时收妥, 谨防小孩玩耍而引起意外。

### The method to apply the decals

1. Cut off the decal from the decal paper and put it into the warm water 40°C for 10 seconds.
2. Take the decal from the water and put it on a piece of clean cloth.
3. Remove the decal slowly from the paper to the targeted location by a wet finger.
4. Use a piece of dry and soft cloth to press it gently on the decal until it getting dry and no bubble existing.

### 水贴纸的使用方法:

- 一. 把相关的印花从水贴上剪下, 放入40°C左右的温水中浸10秒。
- 二. 然后将印花放在干净的布上。
- 三. 拿上印花纸板, 手指蘸水将印花移到适当的位置。
- 四. 用软干布轻压印花直至水干, 气泡消失。



cyanoacrylate glue  
强力胶



weight  
配重



make hole  
钻孔



cut / remov  
切除



option  
选择



no cement  
不涂胶水



decal  
贴纸



bend  
弯曲



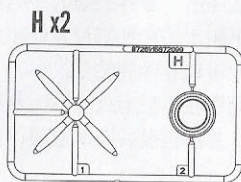
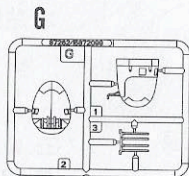
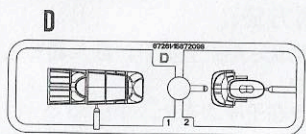
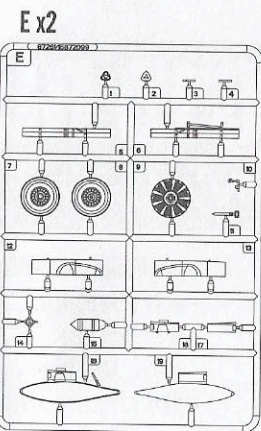
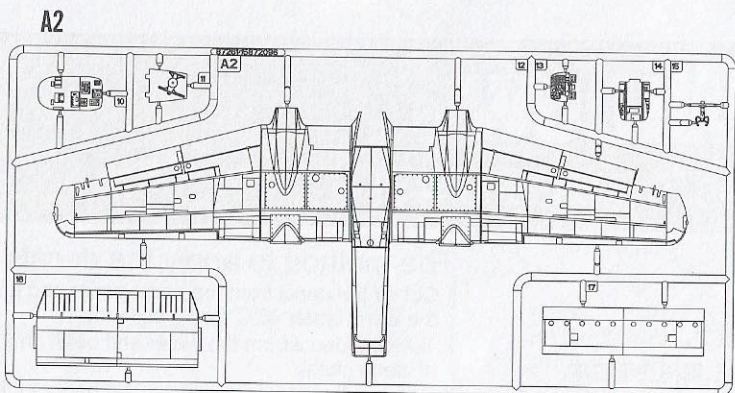
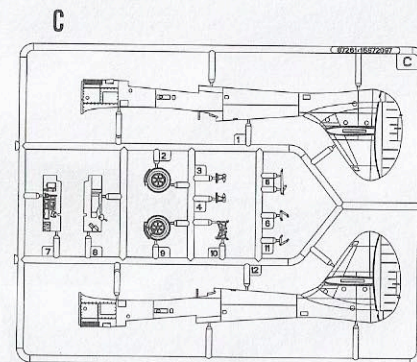
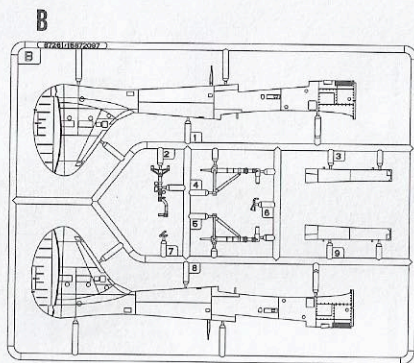
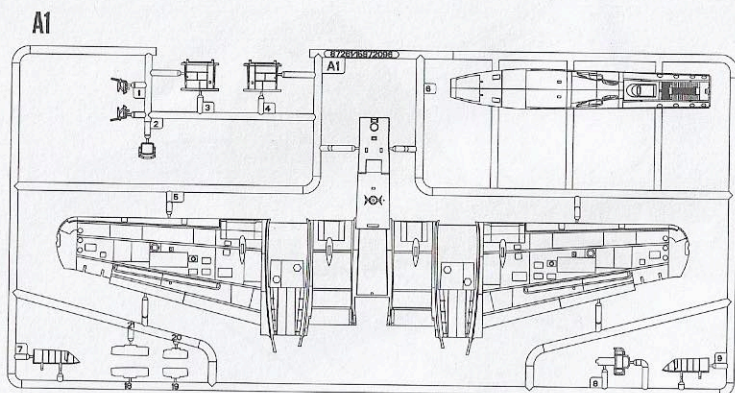
repair  
填补



install it first  
先装

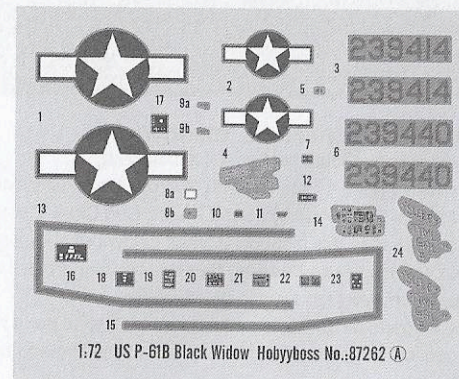


部品图  
Parts



不用的部件: B6  
Unused parts

《水贴》A  
Decal



《水贴》B  
Decal



《蚀刻片》  
Photo etched part (PE)

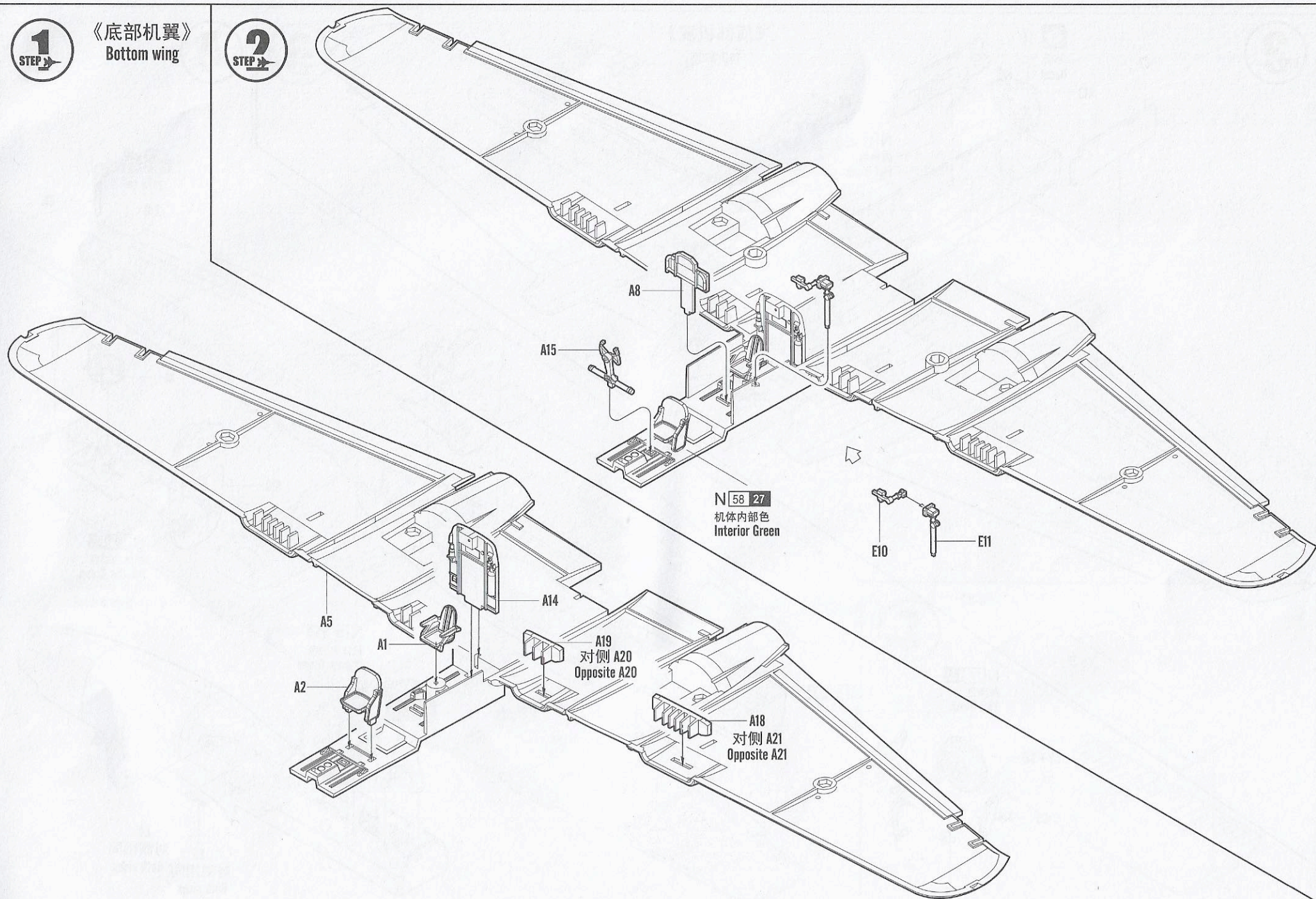




1  
STEP

《底部机翼》  
Bottom wing

2  
STEP



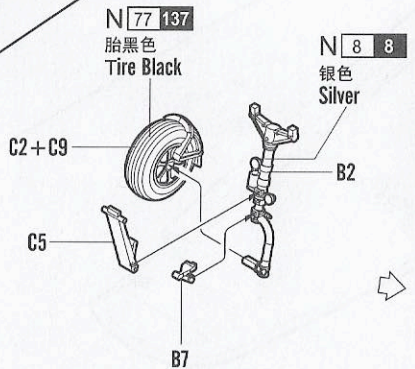
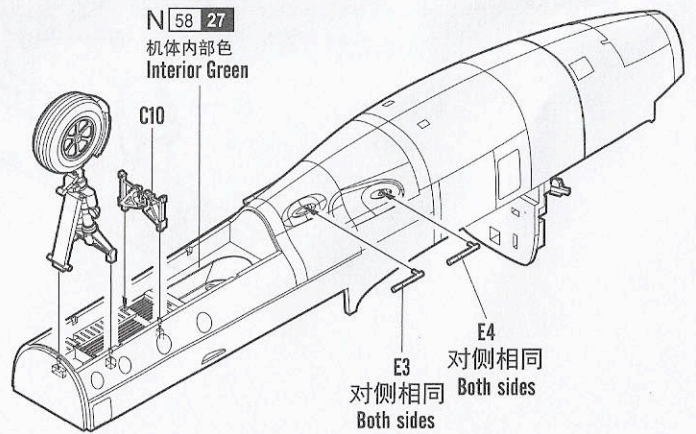
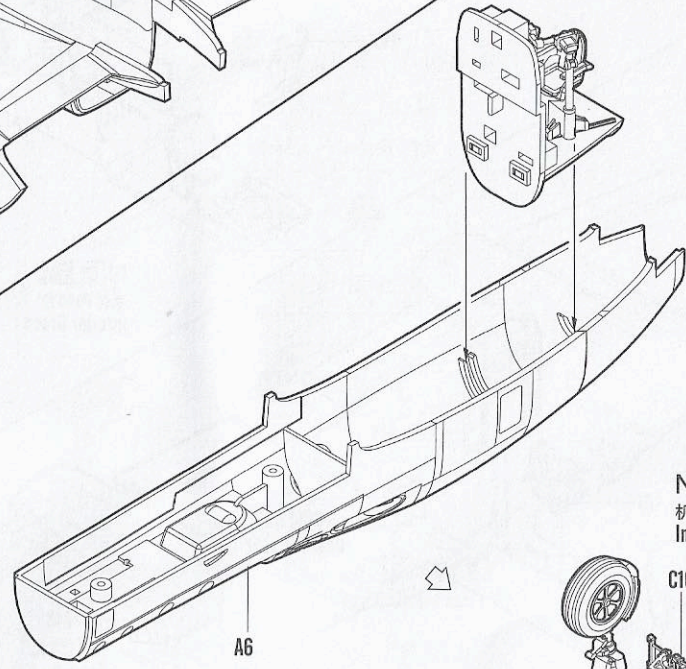
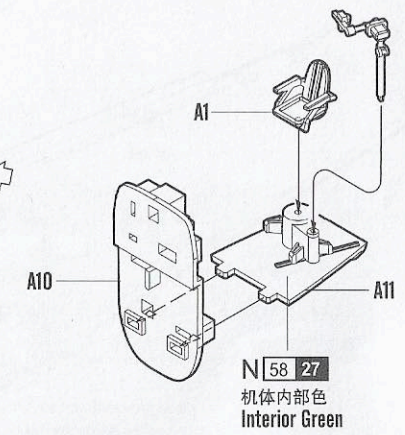
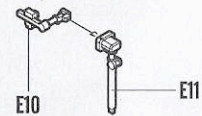
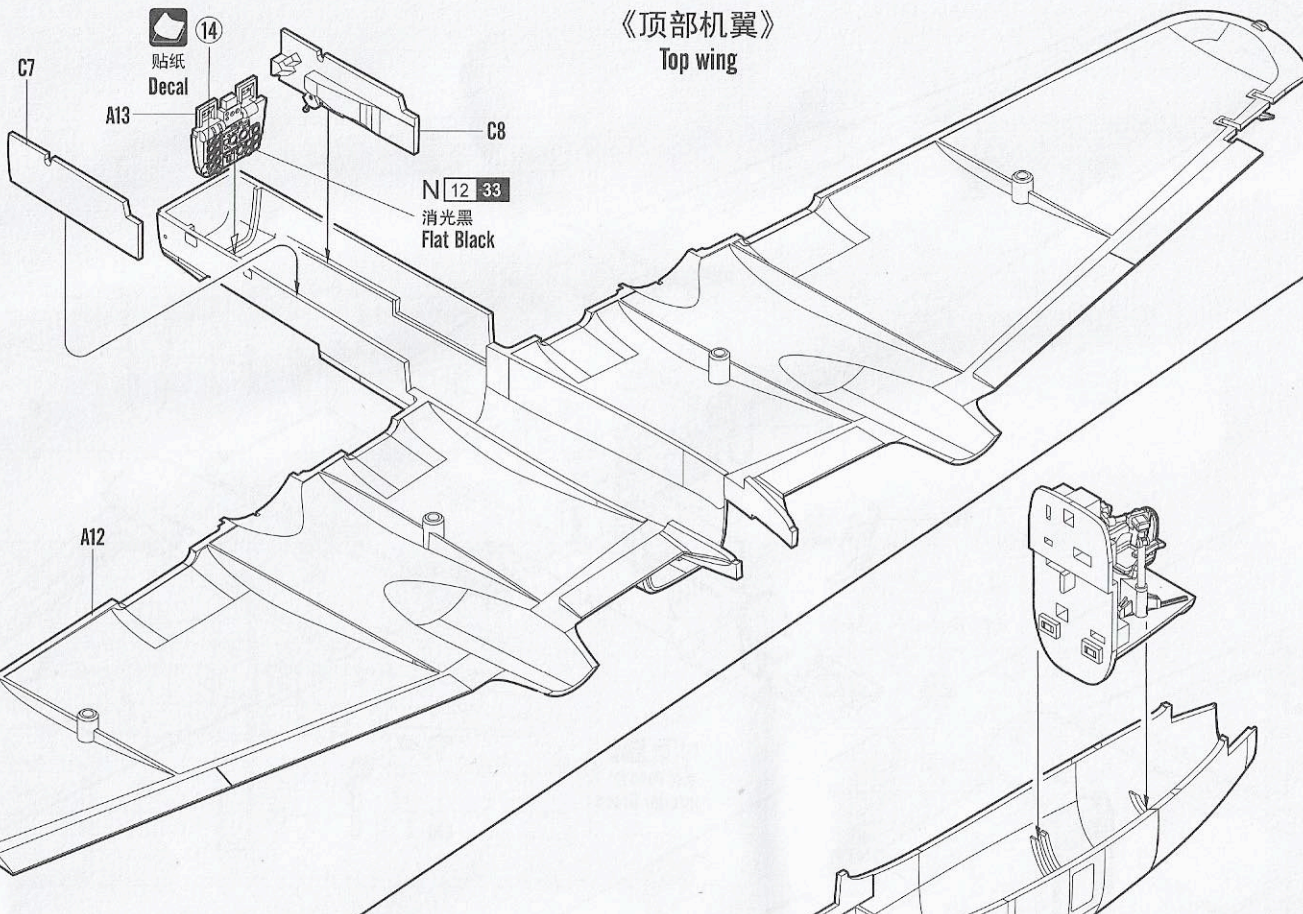


**3**  
STEP

《顶部机翼》  
Top wing

**A**  
STEP

《A-A》



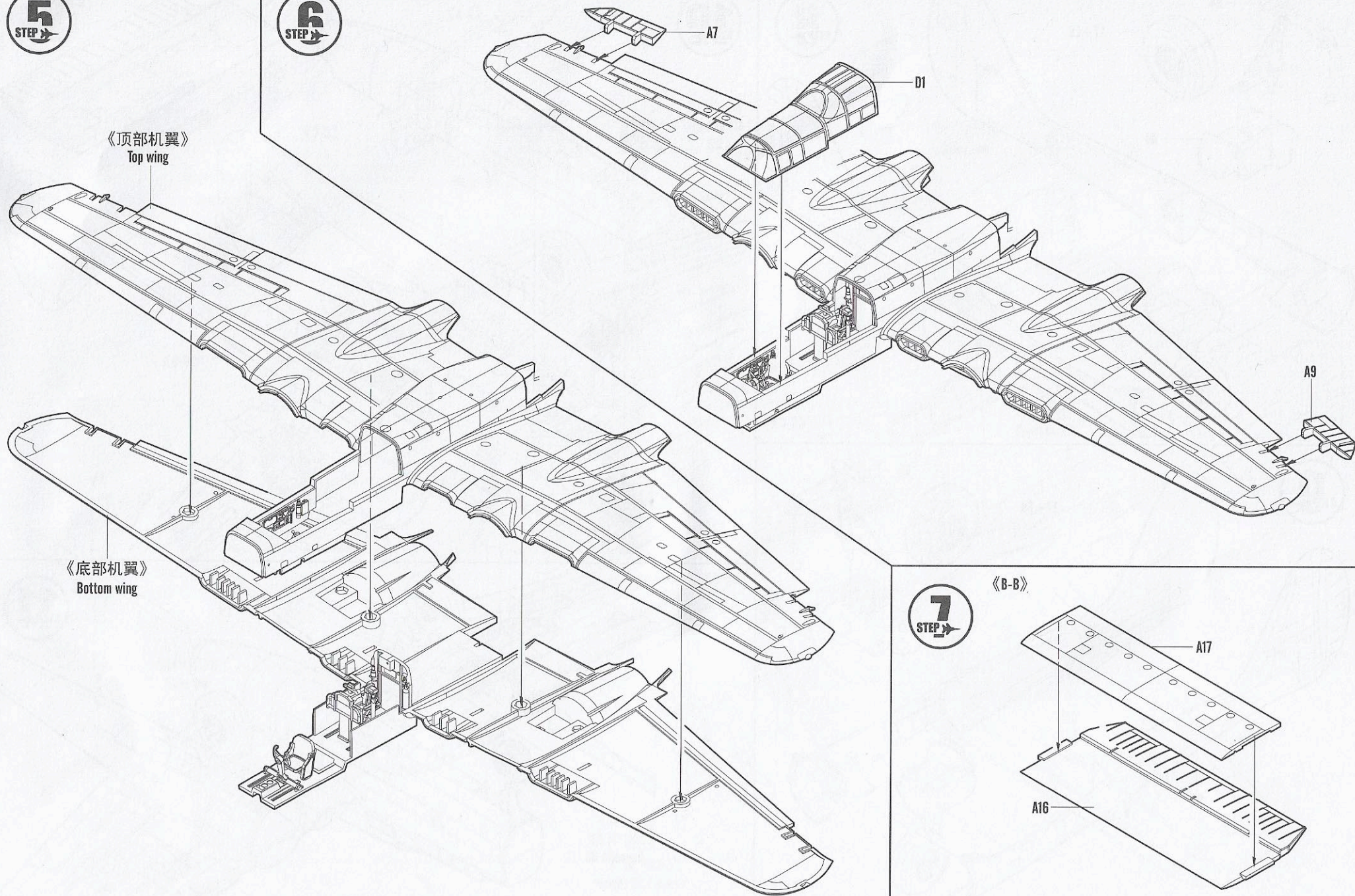


5  
STEP

6  
STEP

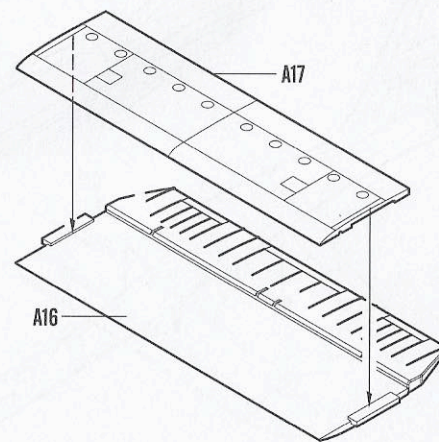
《顶部机翼》  
Top wing

《底部机翼》  
Bottom wing

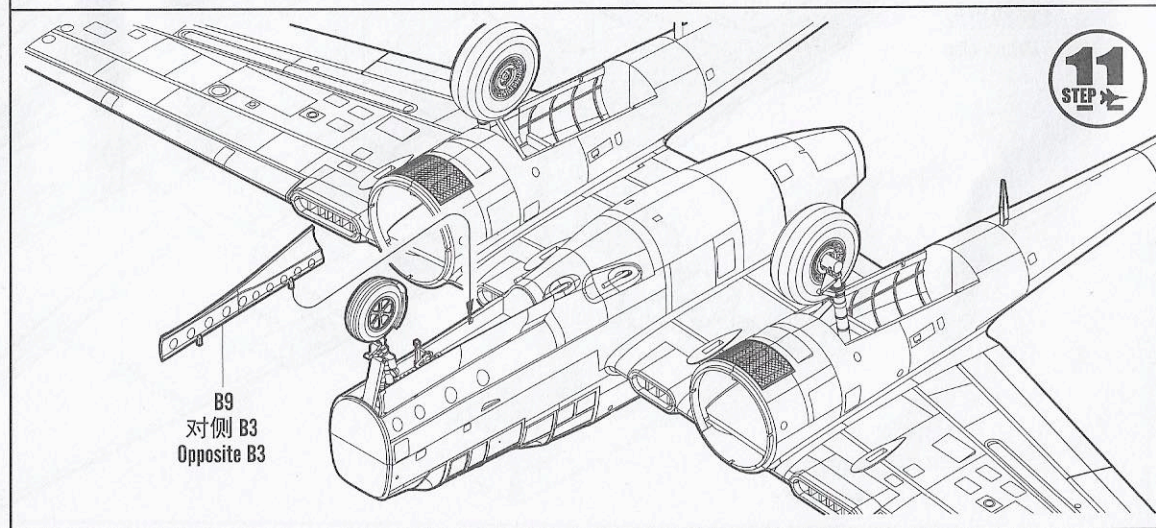
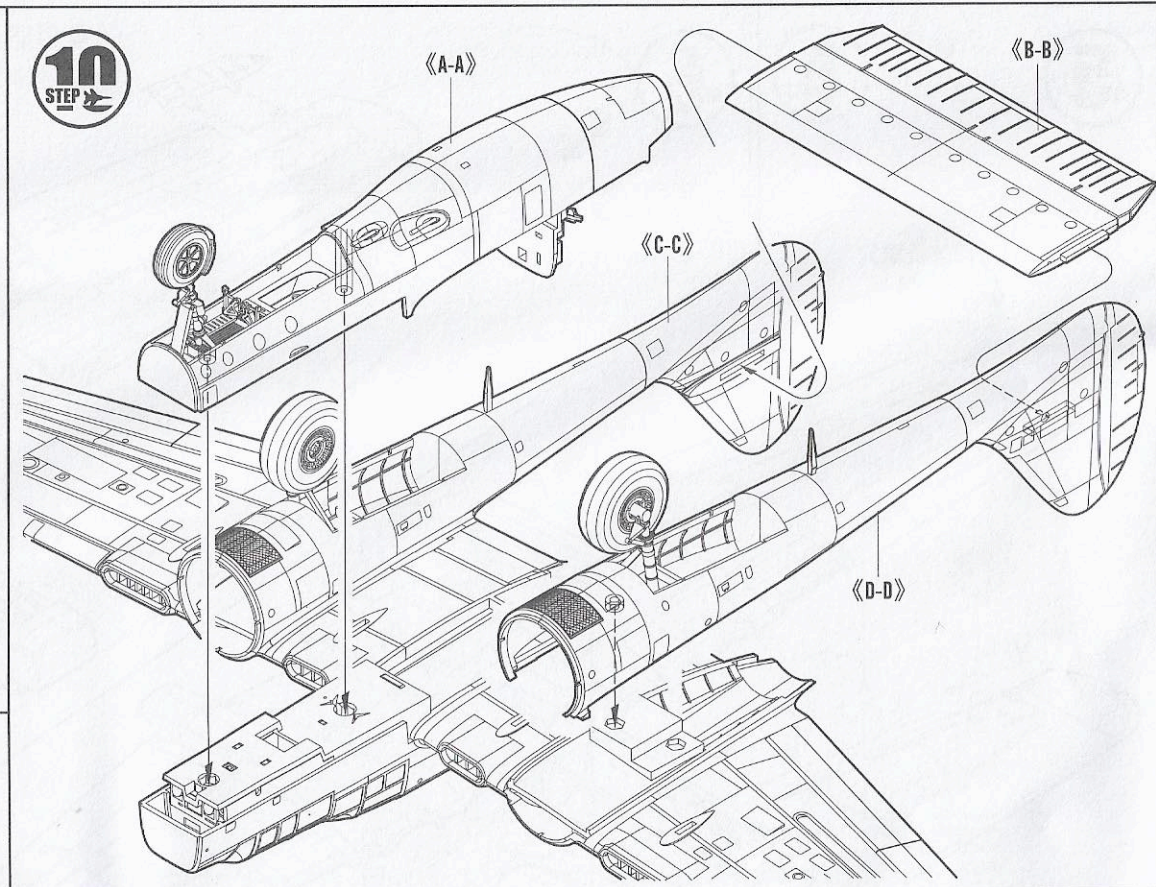
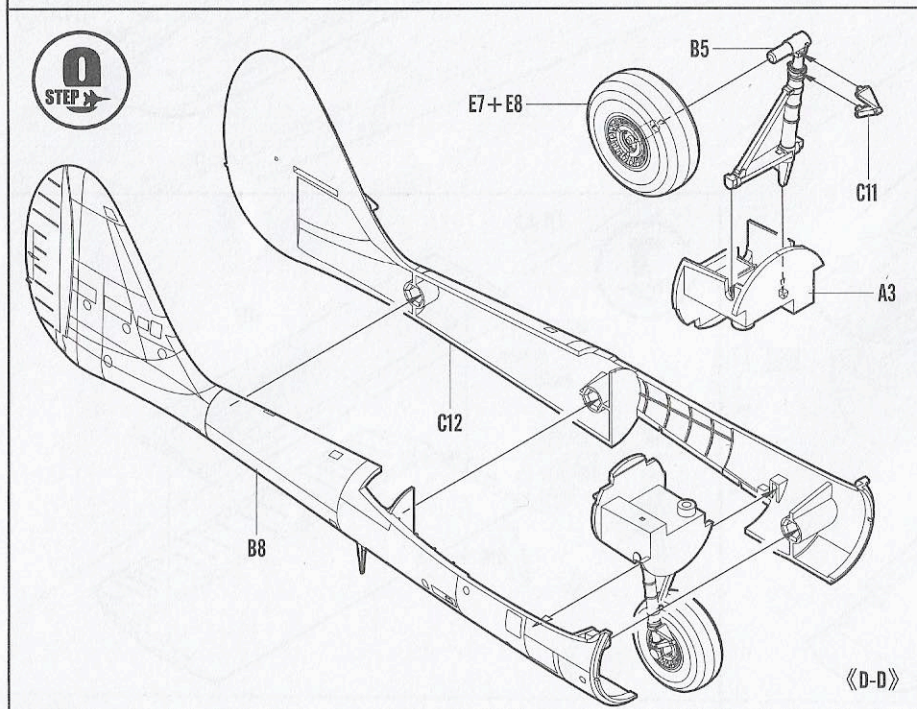
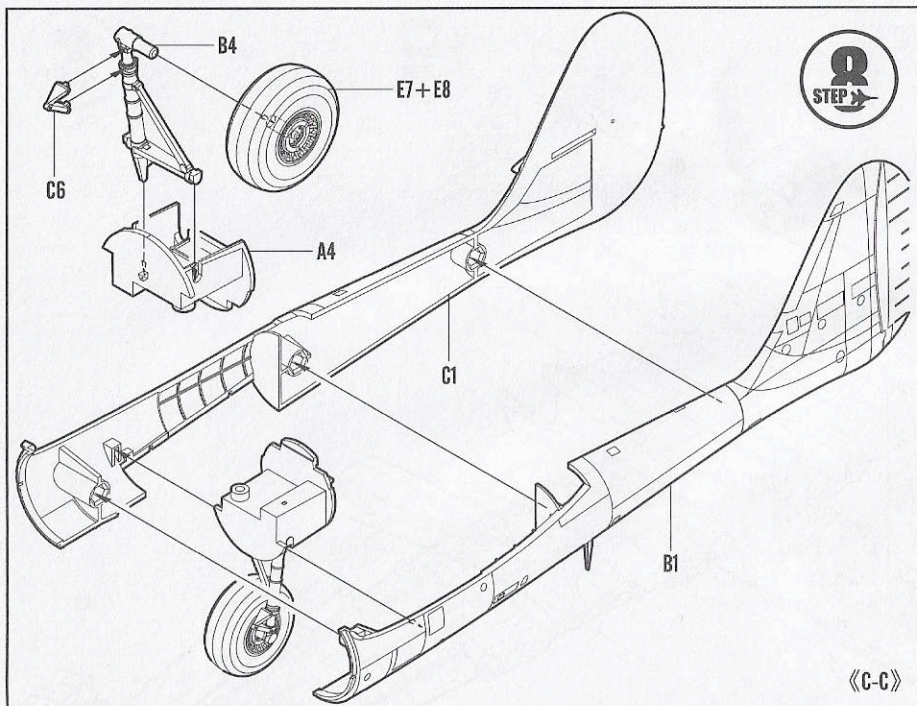


7  
STEP

《B-B》

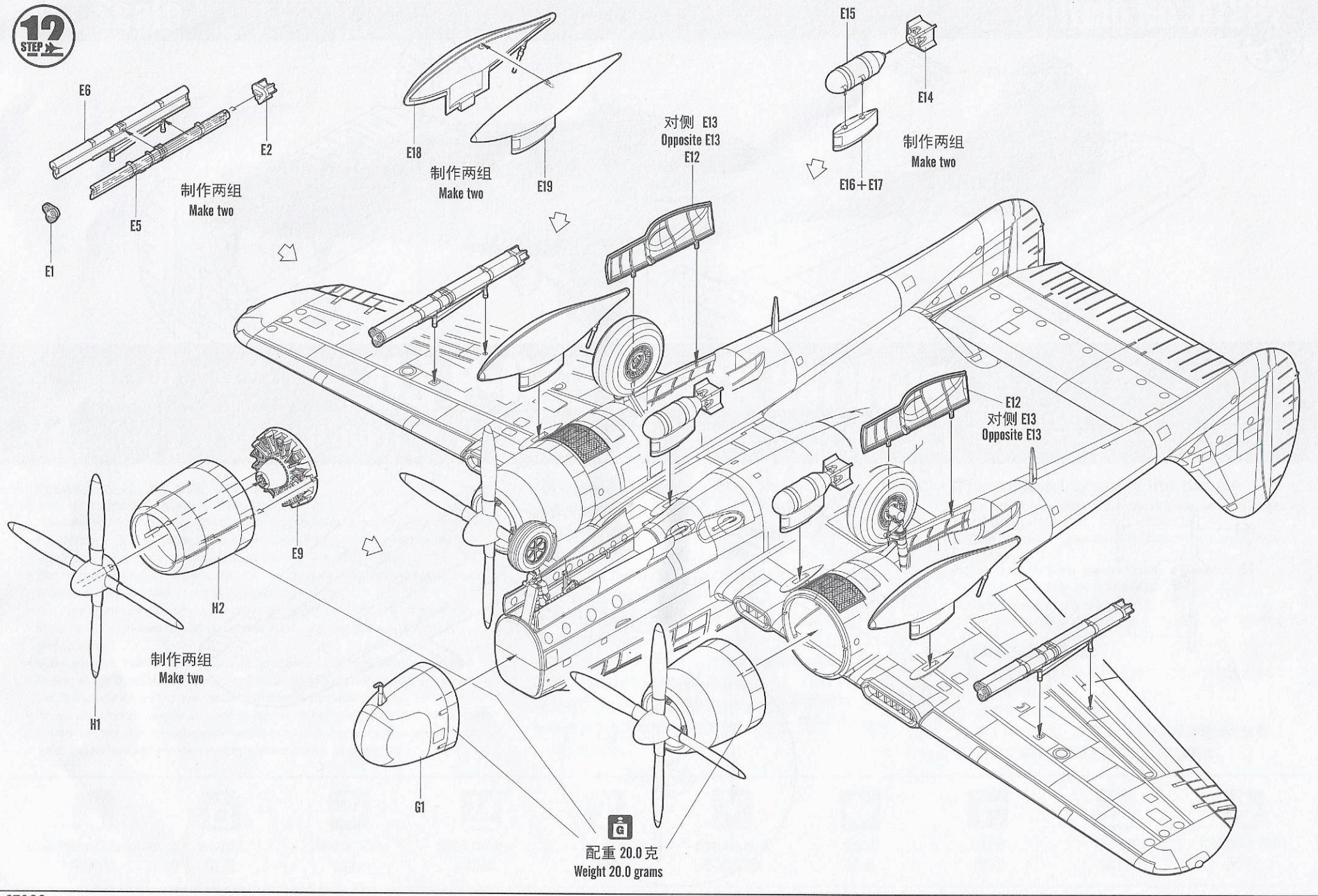








**12**  
STEP



制作两组  
Make two

制作两组  
Make two

制作两组  
Make two

对侧 E13  
Opposite E13

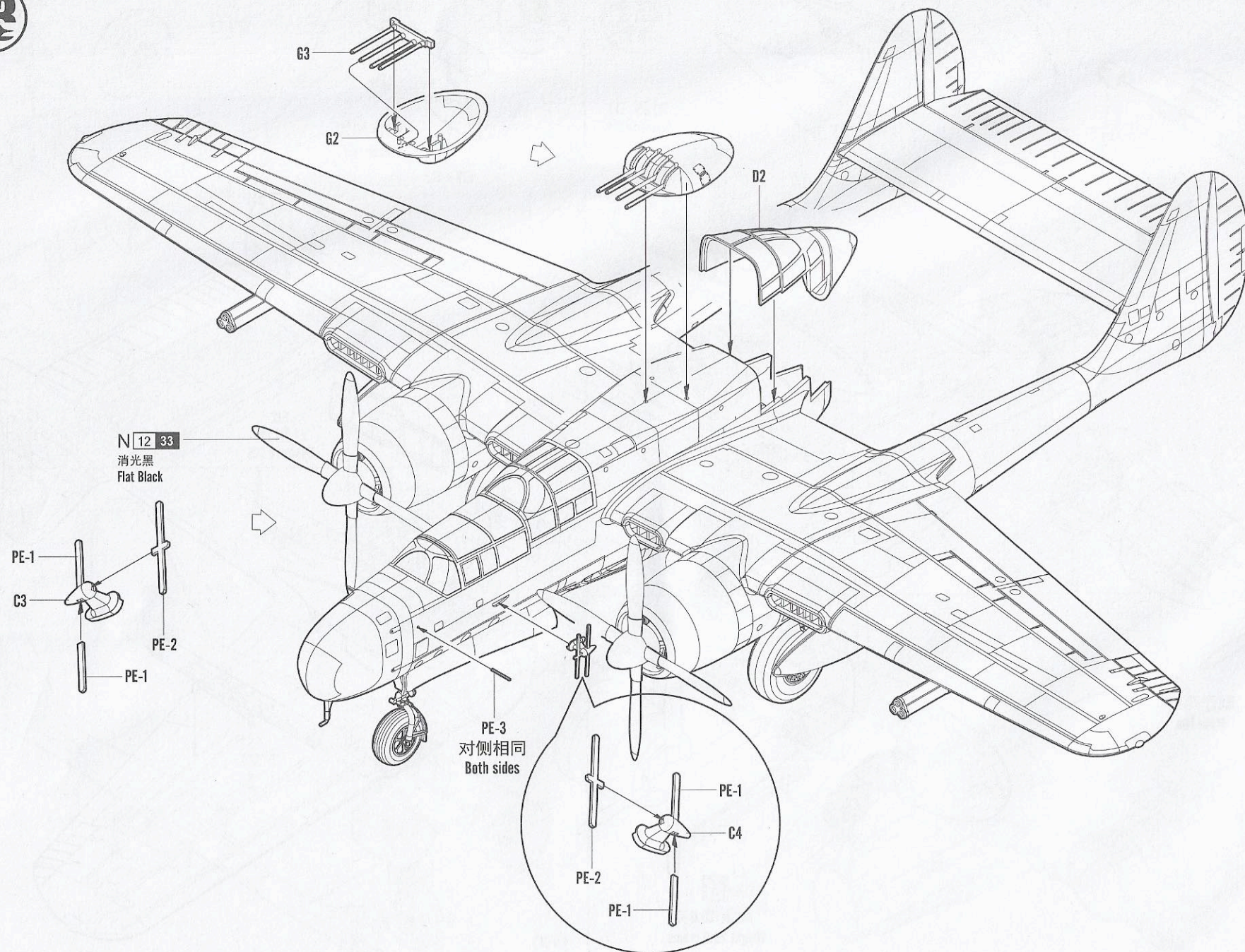
E12  
对侧 E13  
Opposite E13

制作两组  
Make two

  
配重 20.0 克  
Weight 20.0 grams

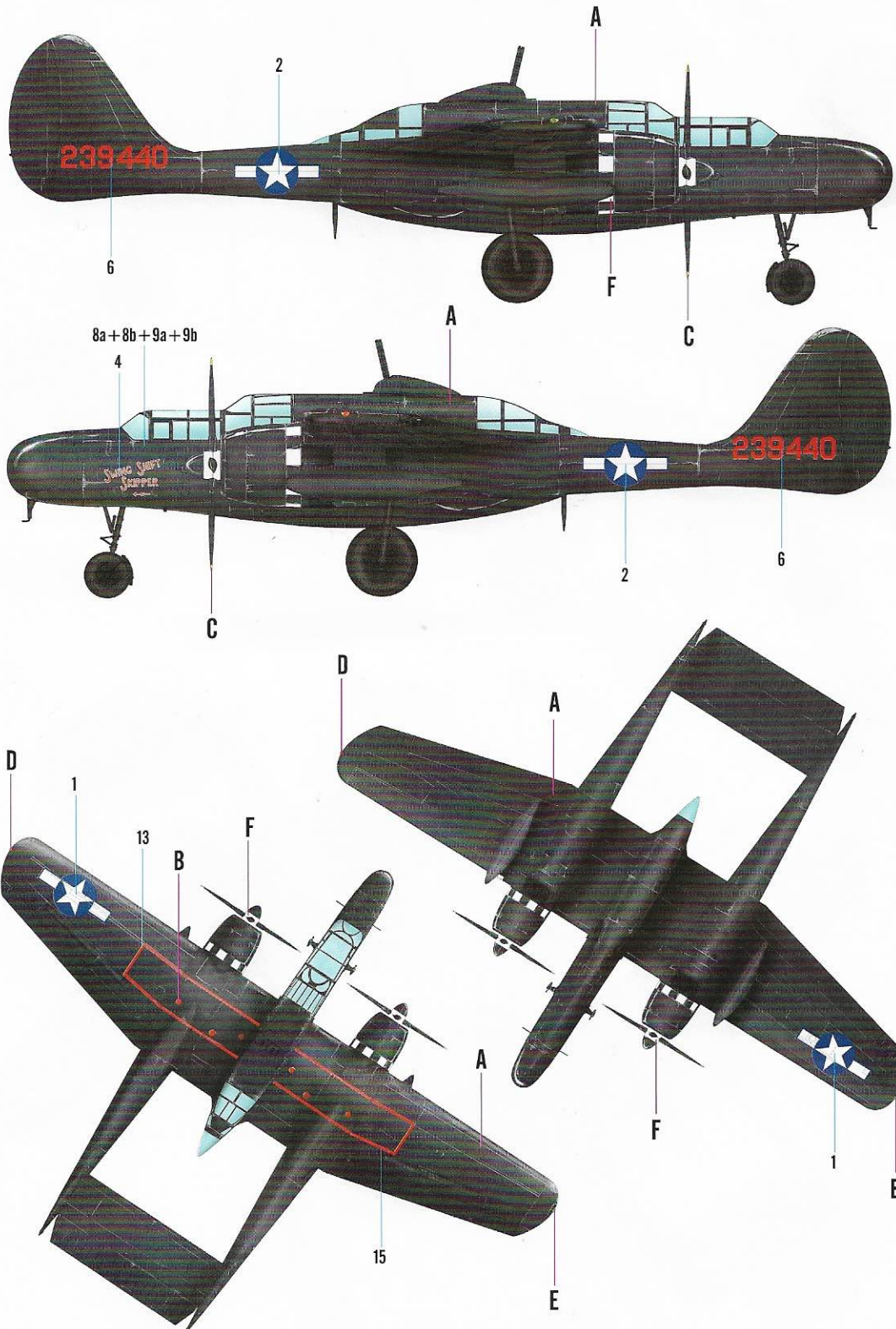


13  
STEP





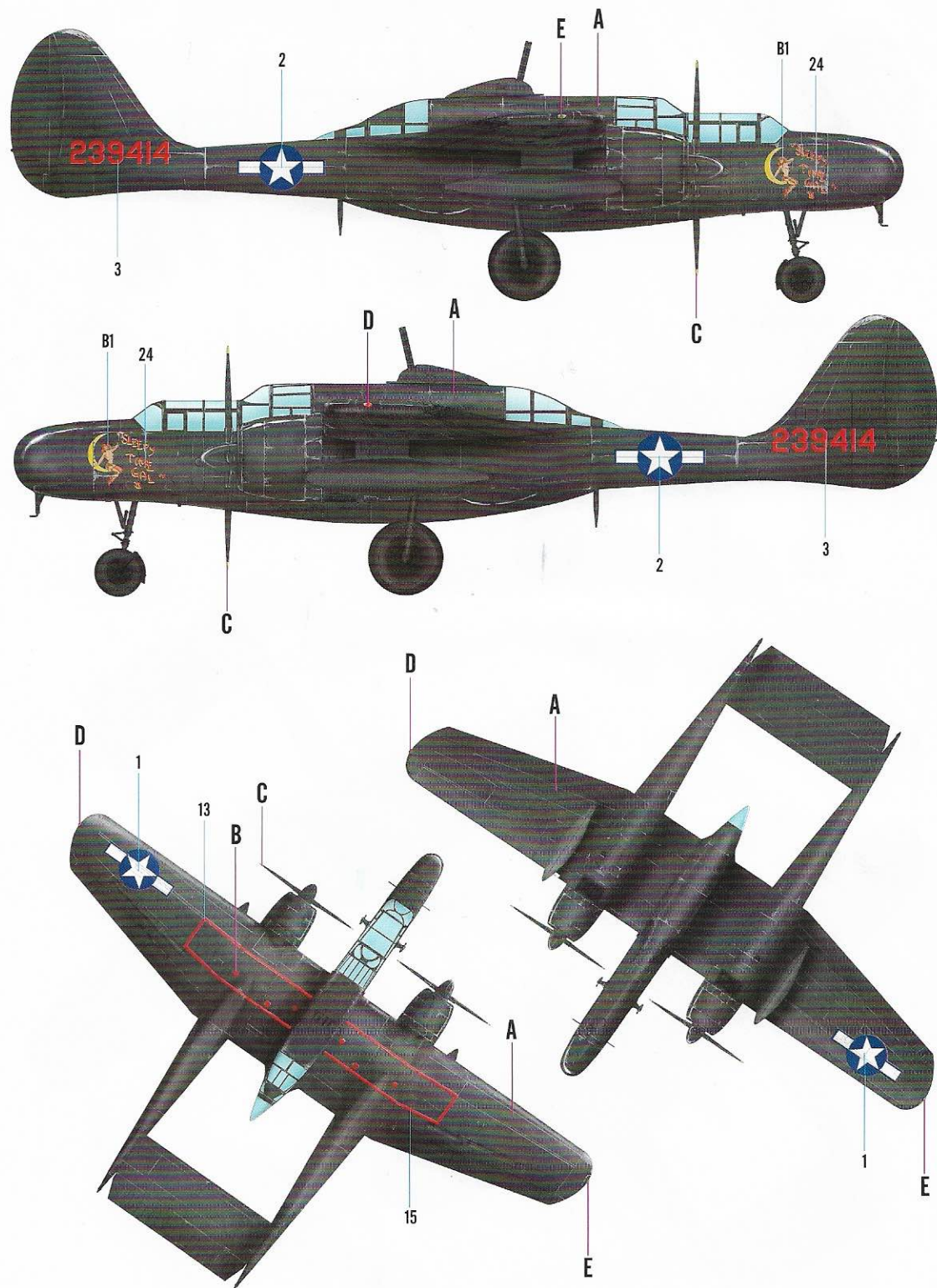
**I** US Air Force, 547st Night Fighter Squadron,  
P-61B-1-NO 'Swing Shift Skipper', 239440(42-39440)



	Color	Mr.Hobby	Vallejo	Model Master	Tamiya	Humbrol
<b>A</b>	消光黑 Flat Black	N 12 33	950	1749	XF1	33
<b>B</b>	红色 Red	N 3 3	908	1503	X7	19
<b>C</b>	黄色 Yellow	N 4 4	953	1514	X8	69



II US Air Force, 6st Night Fighter Squadron,  
P-61B-2-NO 'Sleepy Time Gal II', 239414(42-39414)



Color	Mr.Hobby	Vallejo	Model Master	Tamiya	Humbrol
<b>D</b> 透明红 Clear Red	N 90 47	934	-	X27	-
<b>E</b> 透明绿 Clear Green	N 94	-	-	-	-
<b>F</b> 白色 White	N 1 1	842	1745	X2	22



**US P-61B  
Black Widow**

1:72  
Scale 87262

NEW VARIANT!

**HOBBY BOSS**

**US P-61B  
Black Widow**

P-61B ブラックウィドウ  
美国P-61B“黑寡妇”战斗机

EASY ASSEMBLY AUTHENTIC KIT



**A** US Air Force, 547st Night Fighter Squadron, P-61B-1-NO  
'Swing Shift Skipper', 239440 (42-39440)



**B** US Air Force, 6st Night Fighter Squadron, P-61B-2-NO  
'Sleepy Time Gal II', 239414 (42-39414)

1:72 SCALE

AGES 14+

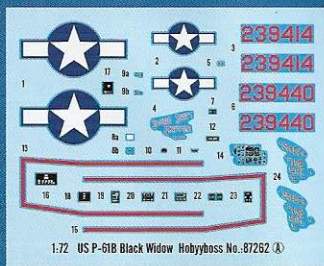
Model Brief: Length: 210mm  
Wingspan: 279mm

Since the Air Force of each country started pay their attention on the night bombing, the bombing became more effective than ever. To fight against the night bombing, a series of night fighter were put into use. The American start their night fighter program on 1940. The Army use the P-70 Havoc and Beaufighter to fight with the Japanese until the first 45 P-61 Black Widow were in active service on October, 1943.

With the born of the more powerful Airborne Intercept radar, the SCR-720C, the P-61s of the Army began their upgrade to install this latest radar. The new type Black Widow with the SCR-720C were designated as P-61B. The type B length the nose section and reintroduced the dorsal turret on the late production.

Kit consists of over 70 parts on 8 sprues including hull, and 8 parts photo-etched upgrade parts.

Dimension of completed model: Length: 210mm Wingspan: 279mm



Decal A



Decal B



PE

