

* You can download the latest version of an instruction manual for this model by visiting www.academyhobby.com, clicking the link for 'INSTRUCTION & DOWNLOAD' and entering the item number.
본 제품의 조립 중 궁금한 점은 www.academy.co.kr 접속 후 메뉴 '자료실' → '프라모델' 로 이동하여 해당 제품명을 입력하면 최신의 설명서를 확인 할 수 있습니다.

Russia's M-21 Fishbed fighter has become one of the most-produced jet fighters in history. Over 10,000 of the delta-winged fighters have been built by 1985, with production still continuing for foreign customers. In addition, India and China produce versions of the plane for their own use.

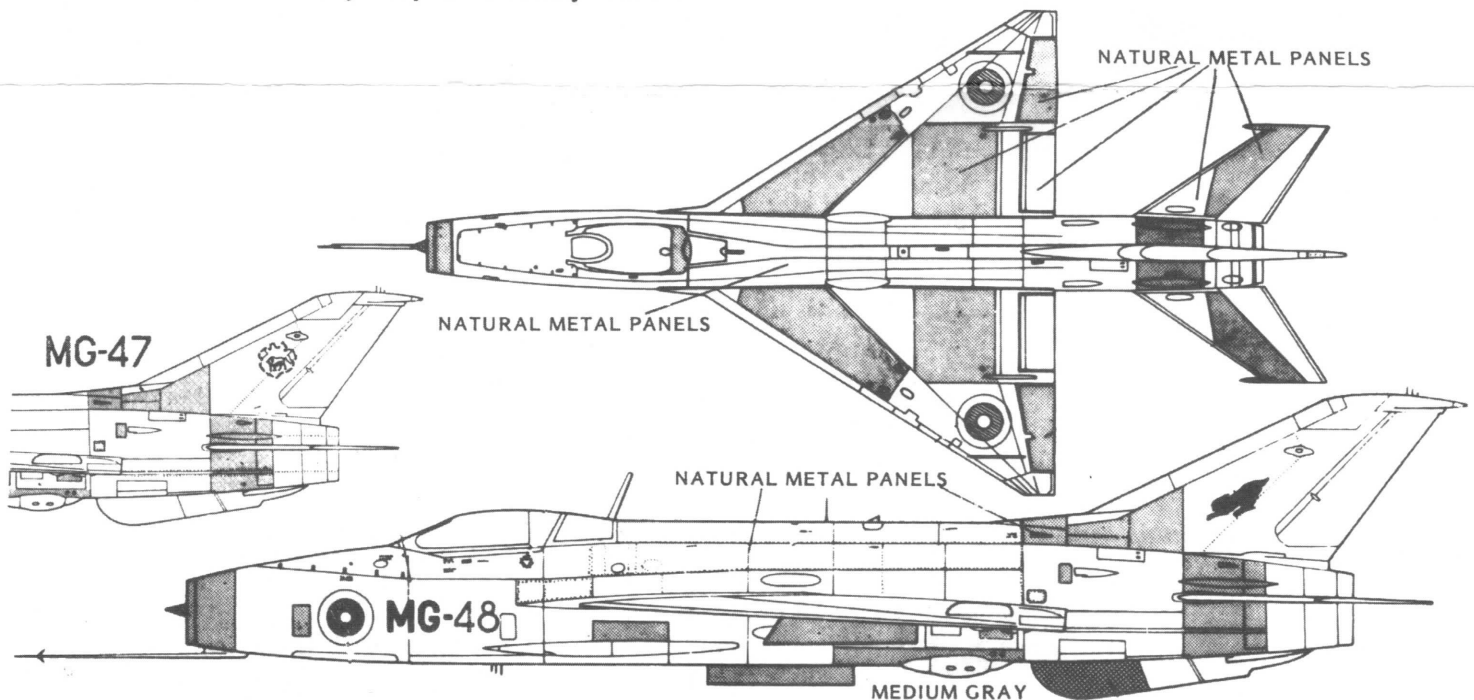
The M-21 is one of those unique planes whose versatility has insured its longevity. Using a small delta wing instead of swept wings, the Fishbed has adequate wing area without wide-spanned wings. This aids the plane in reaching its top speed of 1,285 mph, or Mach 2.1. The small wing also contributes to the remarkable maneuverability of the fighter.

The short wingspan does limit the amount of underwing hardpoints, however, and the Fishbed can carry only a relatively limited

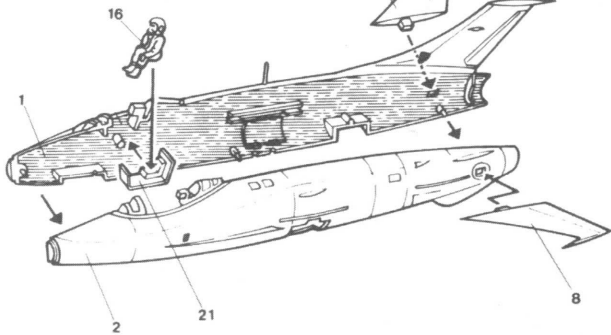
amount of weaponry at one time. However, as a fighter, this is not necessarily a disadvantage since it carries at least one 23 mm gun and can mount up to four air-to-air missiles, plus a fuselage centerline fuel tank. Ironically, some of the Russian-built M-21's are modified to carry the American AIM-9 Sidewinder missiles in countries, such as Egypt, where the planes operate alongside more modern F-16's, and in India

With the quantity of the M-21 Fishbed fighters in service today, this plane is clearly going to remain in service well into the next century.

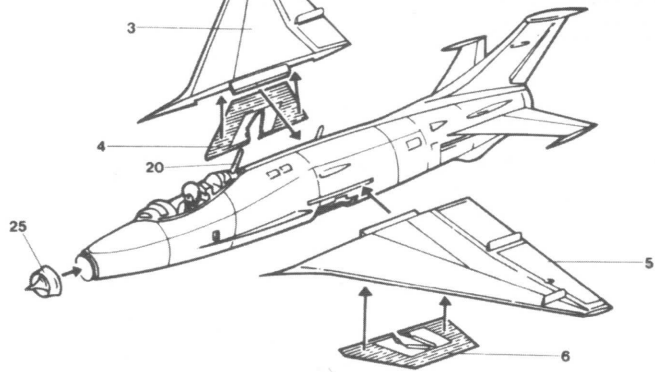
Finland is one of the foreign customers for the M-21, and this kit provides the markings for planes of two of their fighter squadrons.



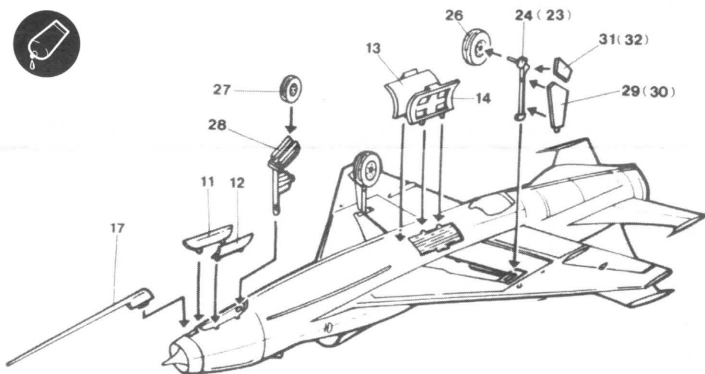
1



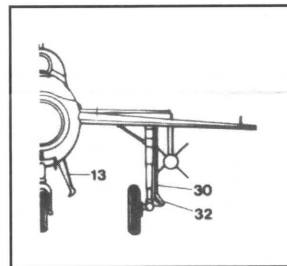
2



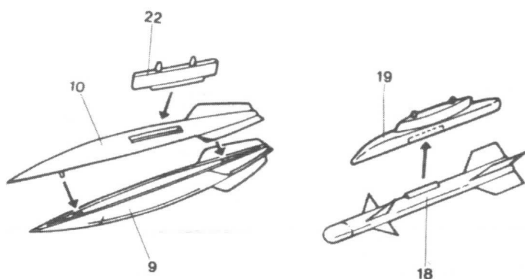
3



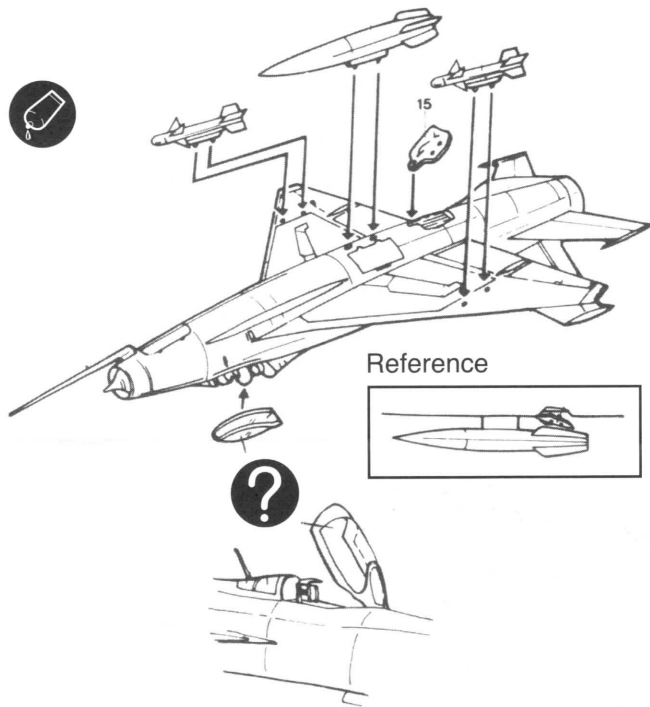
Reference



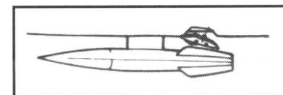
4



5



Reference

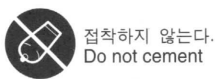


ACADEMY
HOBBY MODEL KITS

ACADEMY
ACADEMY PLASTIC MODEL CO., LTD.



접착한다.
Cement parts



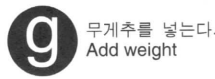
접착하지 않는다.
Do not cement



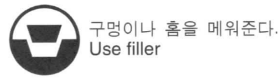
3 수만큼 조립한다.
Repeat operation



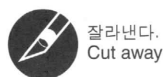
전사지를 붙인다.
Decals



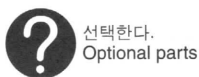
무게추를 넣는다.
Add weight



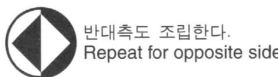
구멍이나 홈을 메워준다.
Use filler



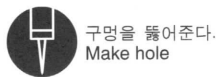
잘라낸다.
Cut away



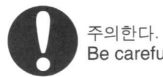
? 선택한다.
Optional parts



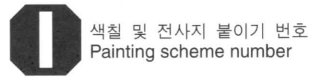
반대측도 조립한다.
Repeat for opposite side



구멍을 뚫어준다.
Make hole



! 주의한다.
Be careful



색칠 및 전사지 붙이기 번호
Painting scheme number