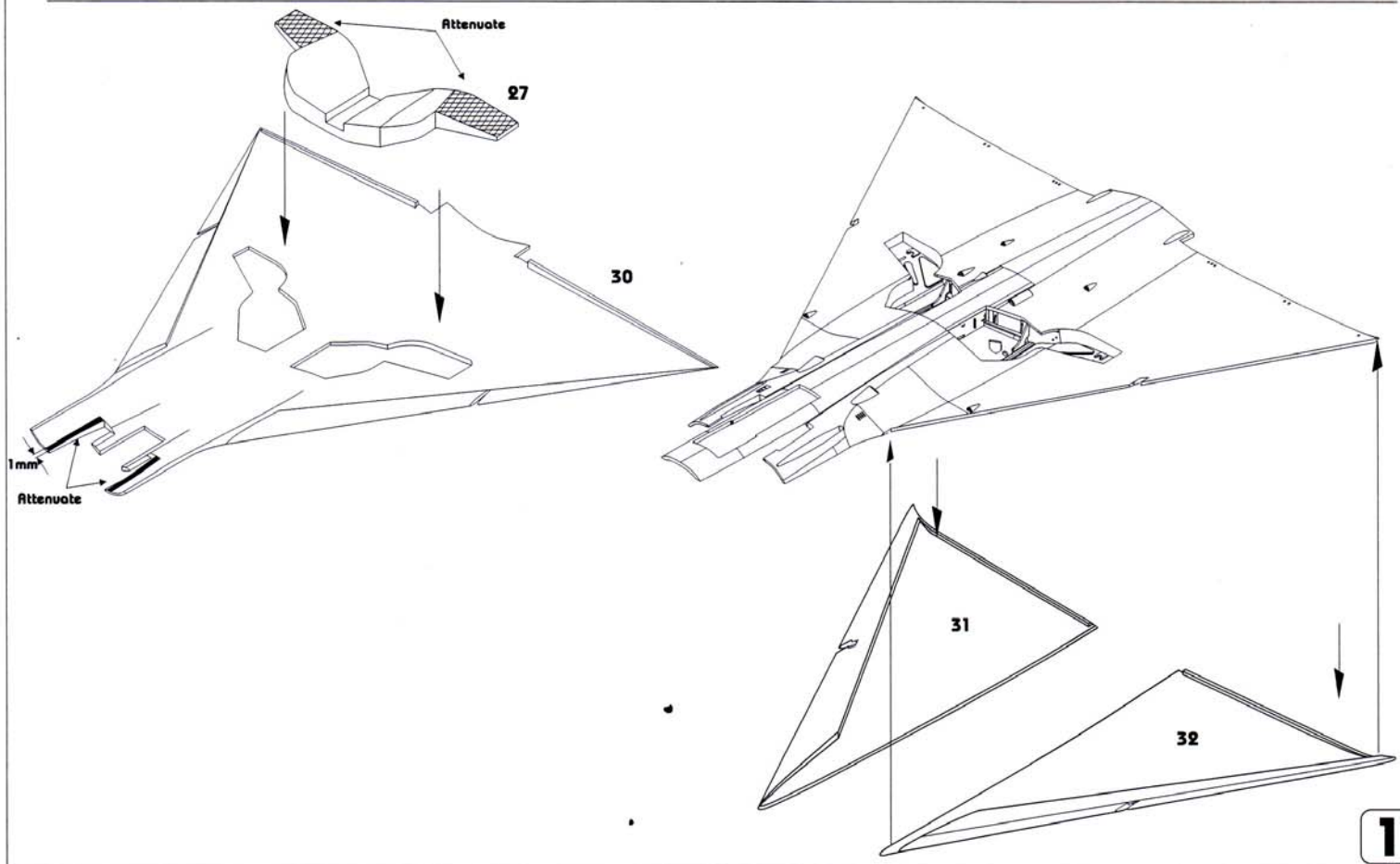
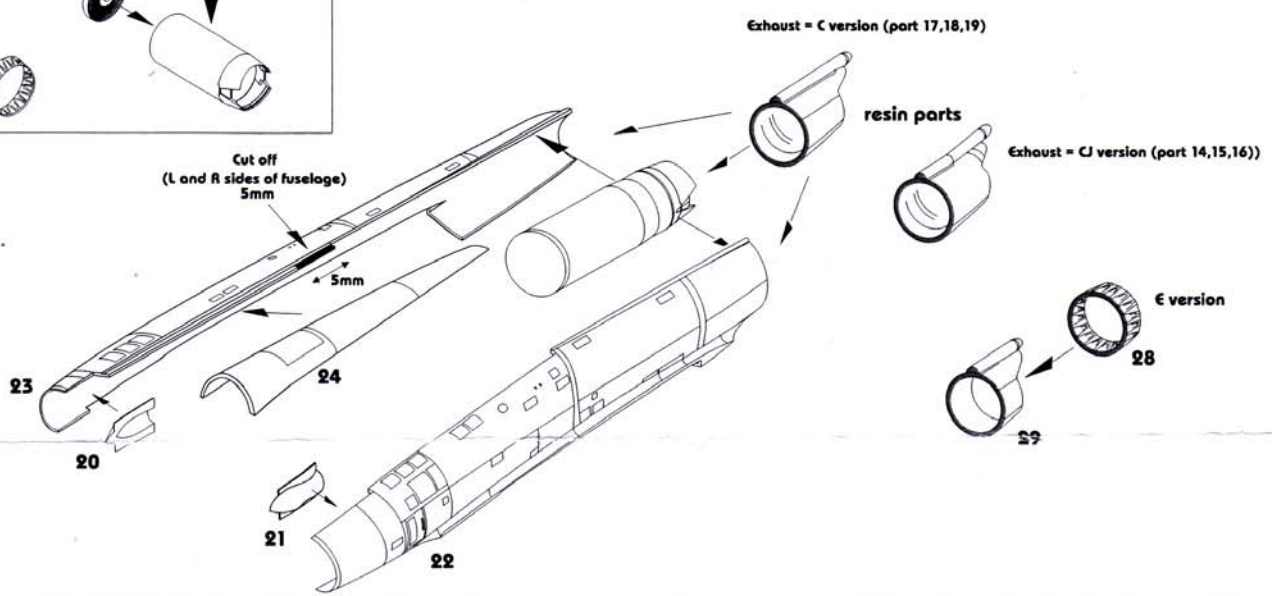
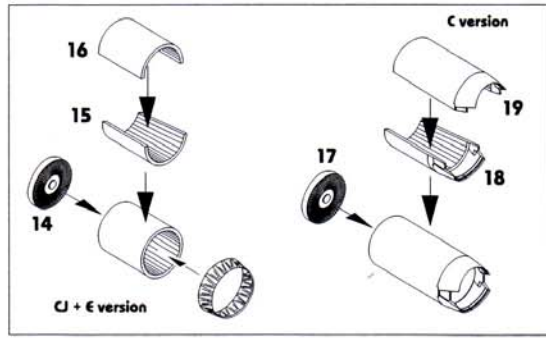
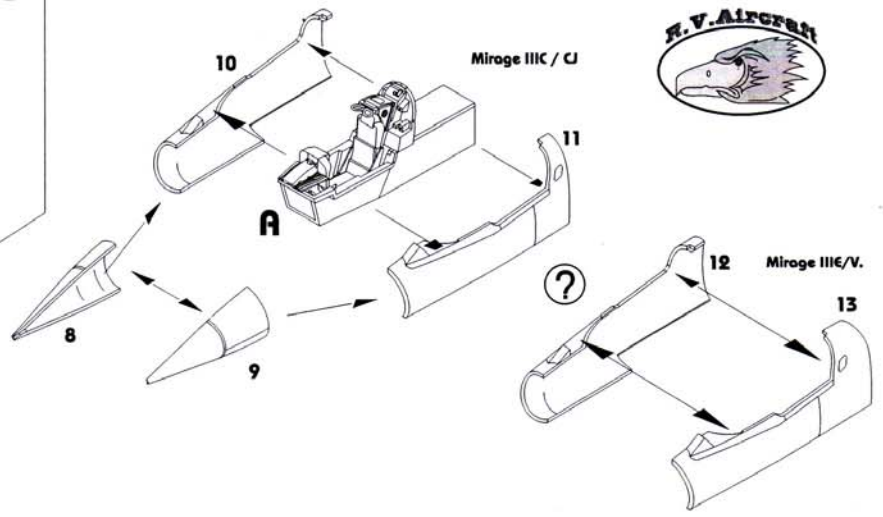
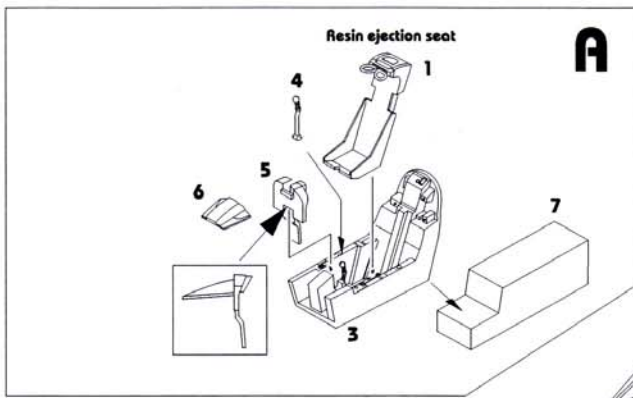
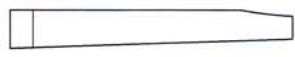
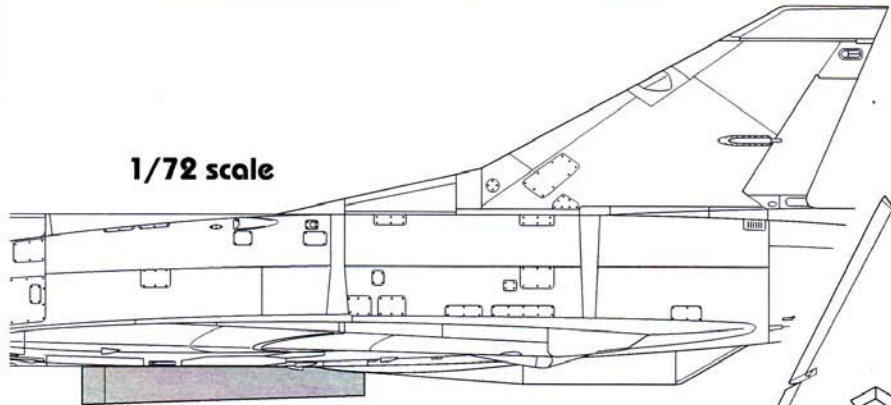


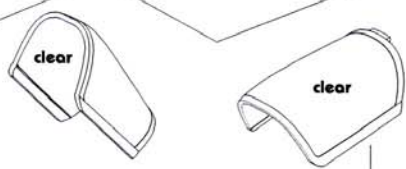
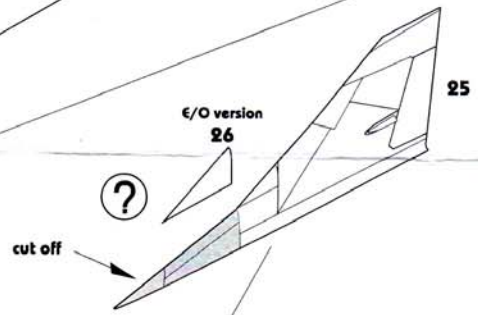
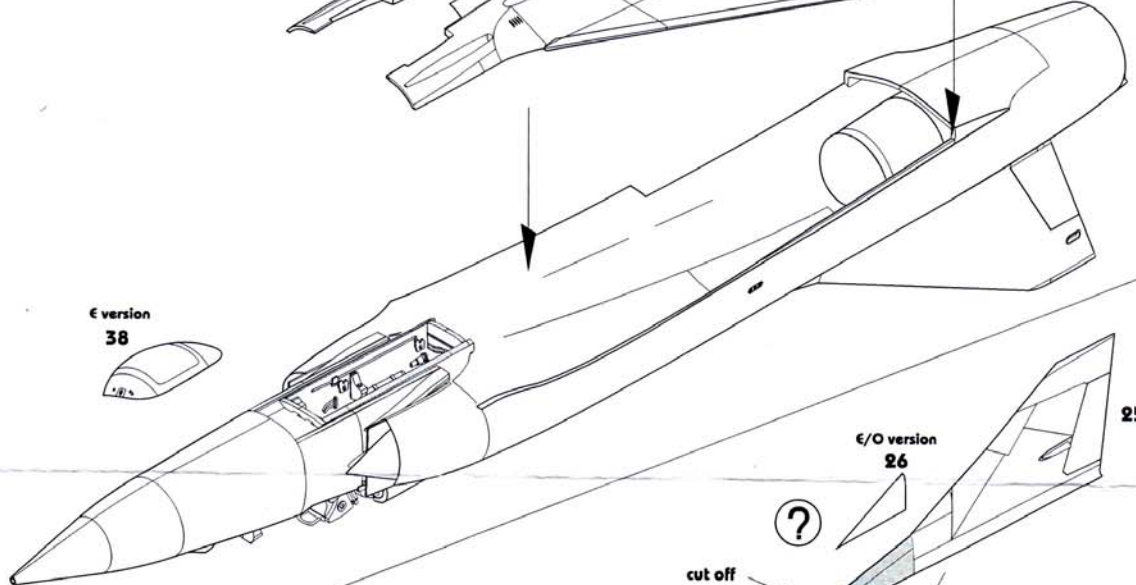
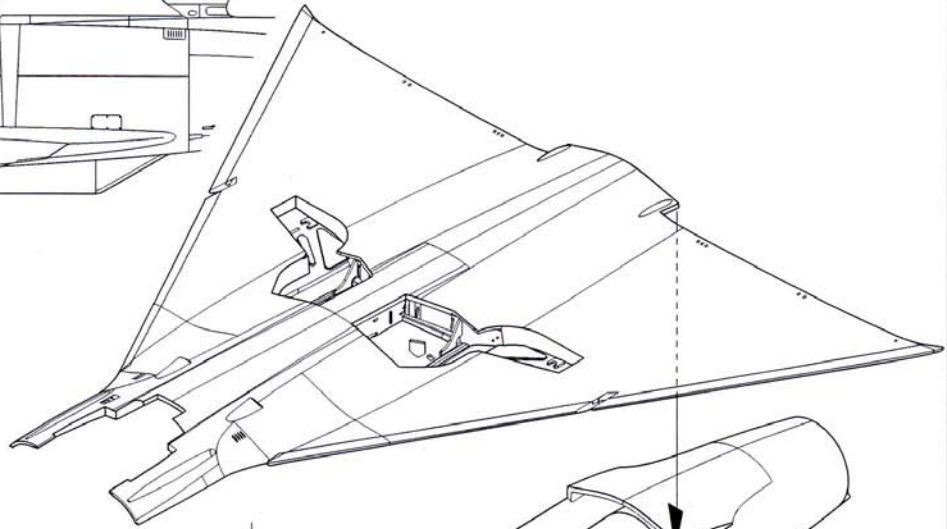
MIRAGE III



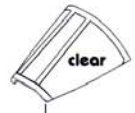
1/72 scale



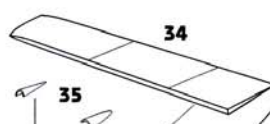
central fuselage pylon



open ? closed



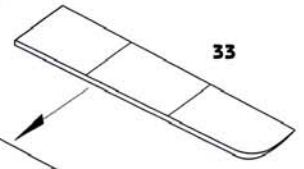
clear



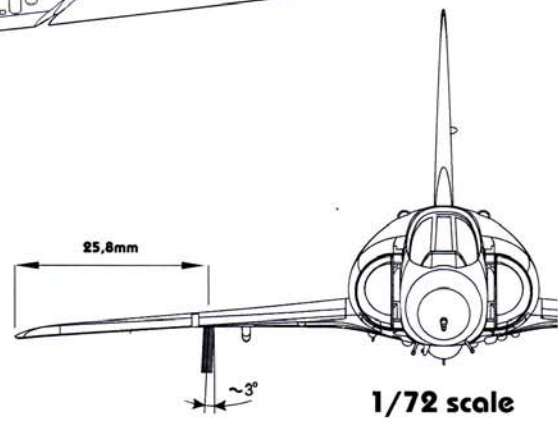
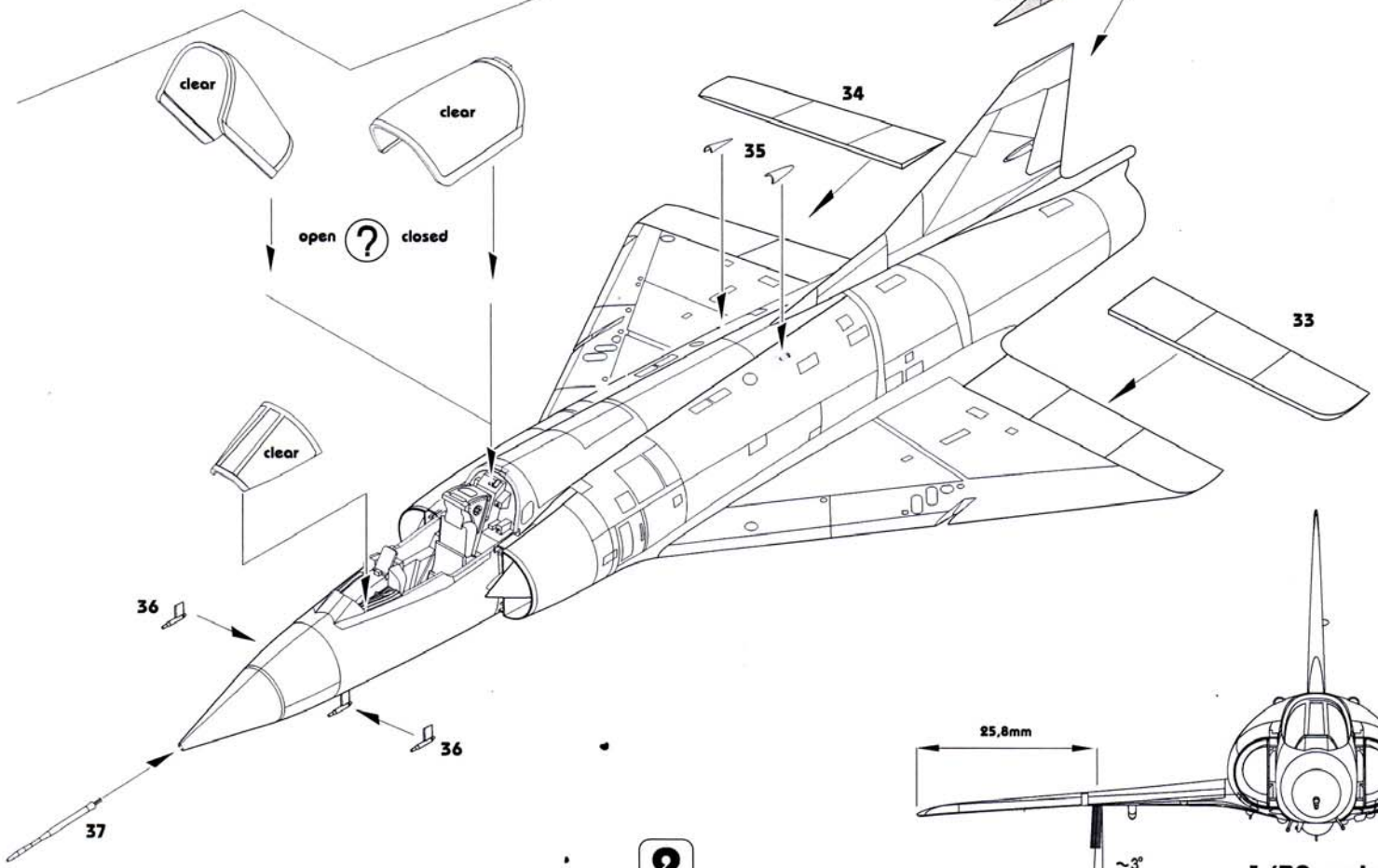
34



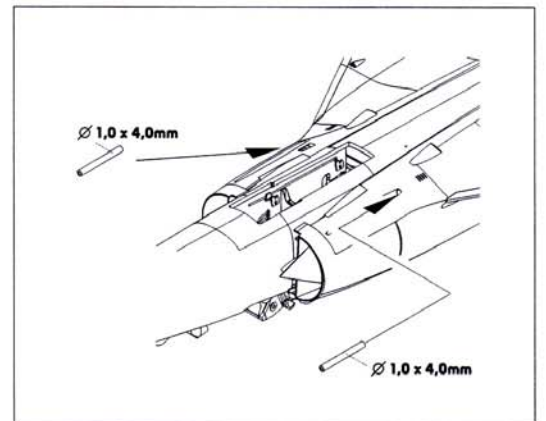
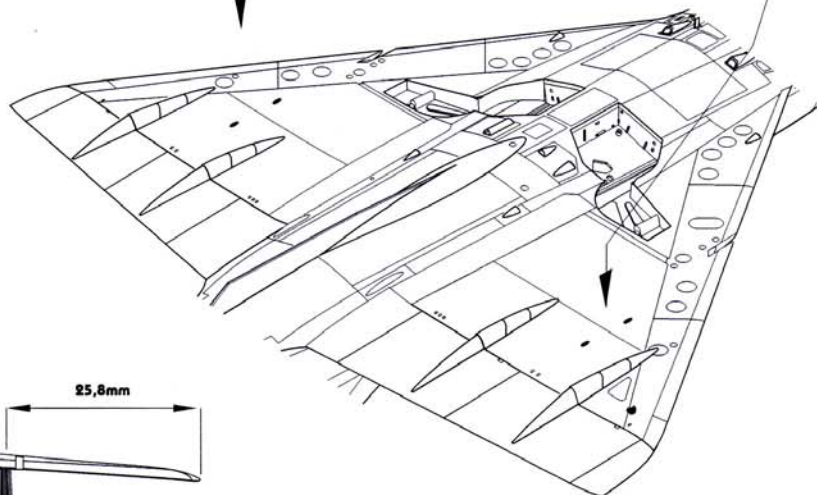
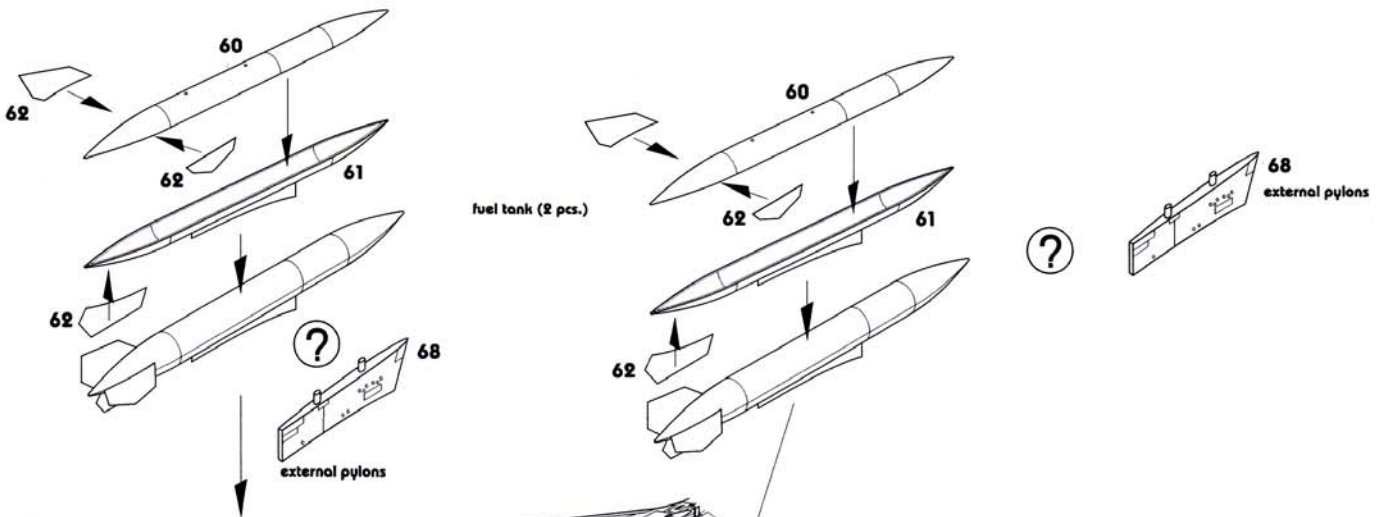
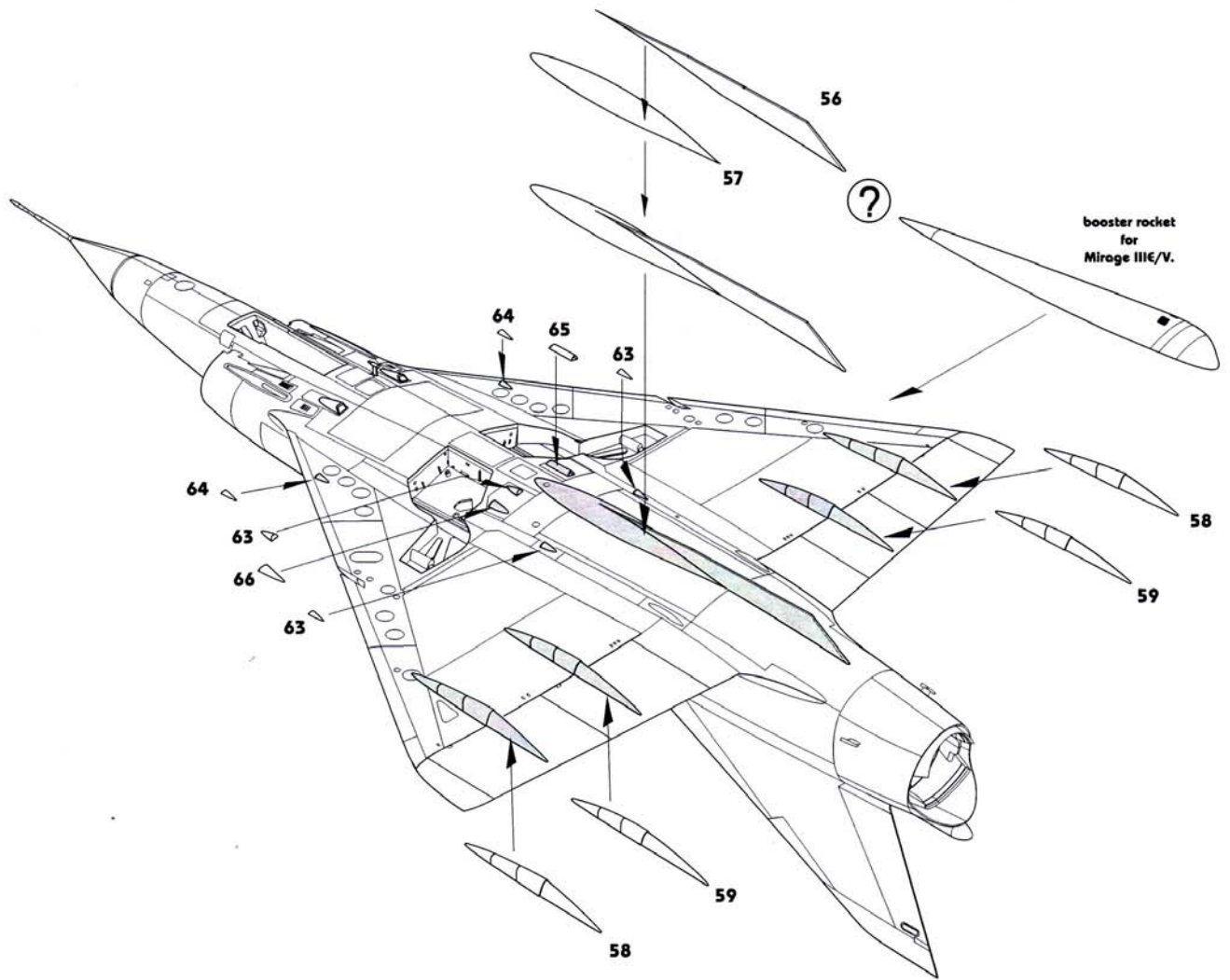
35

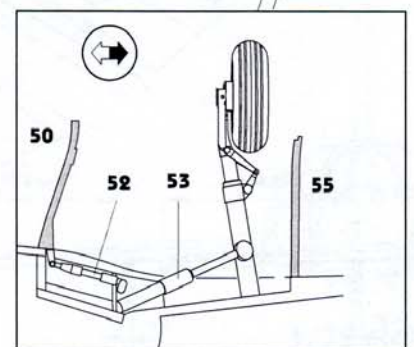
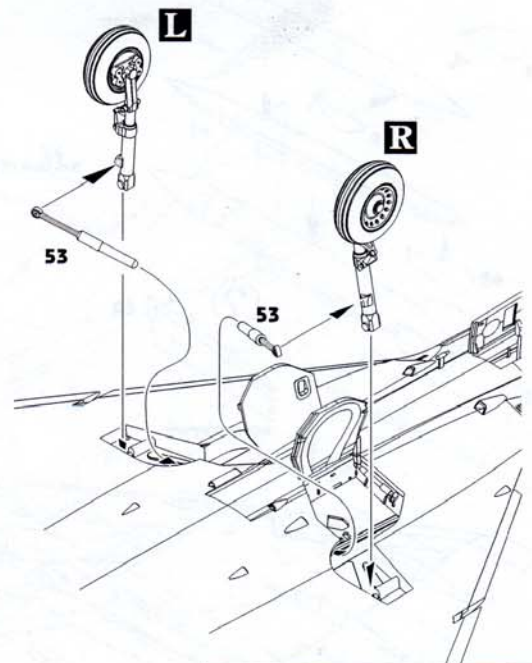
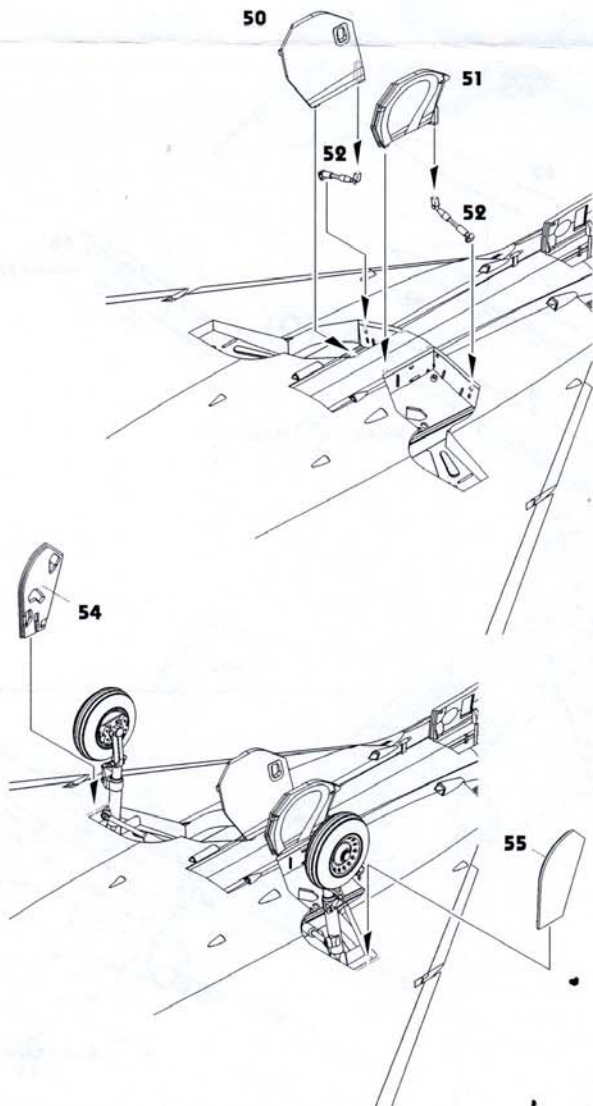
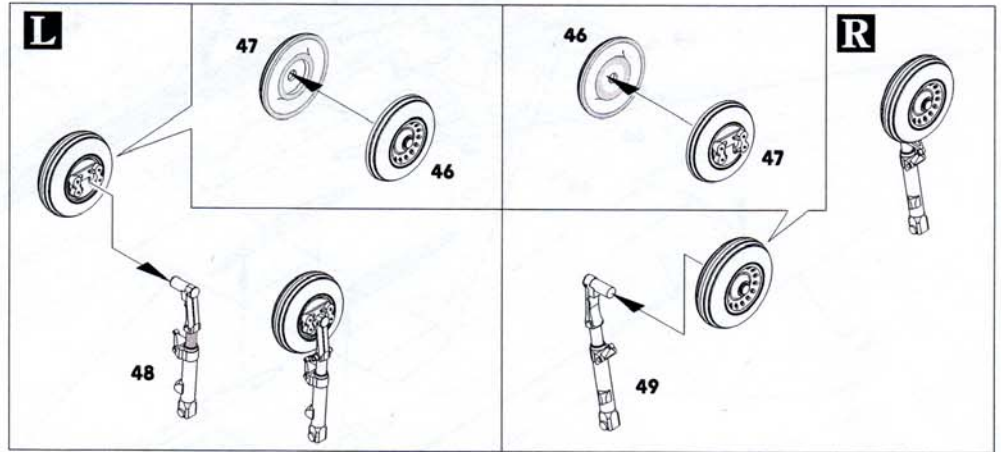
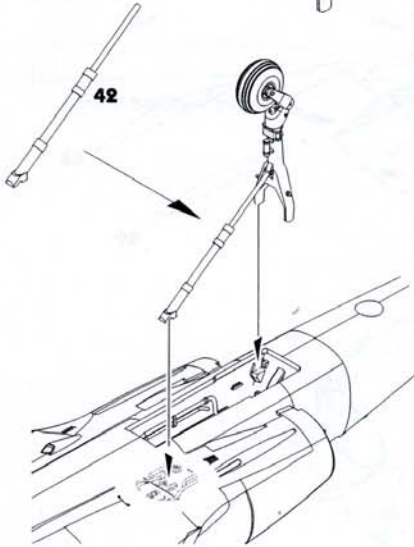
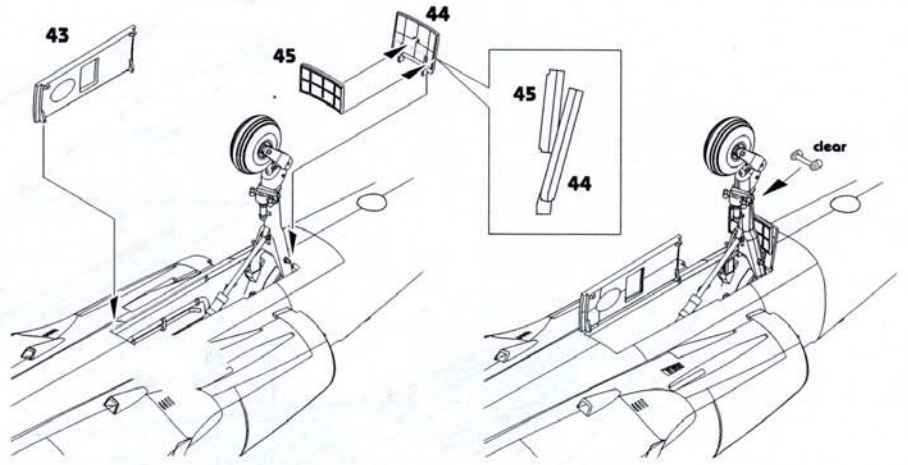
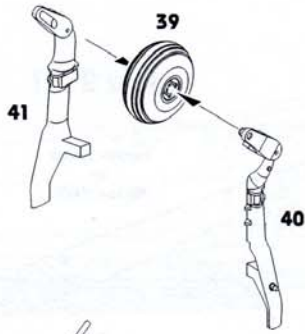


33

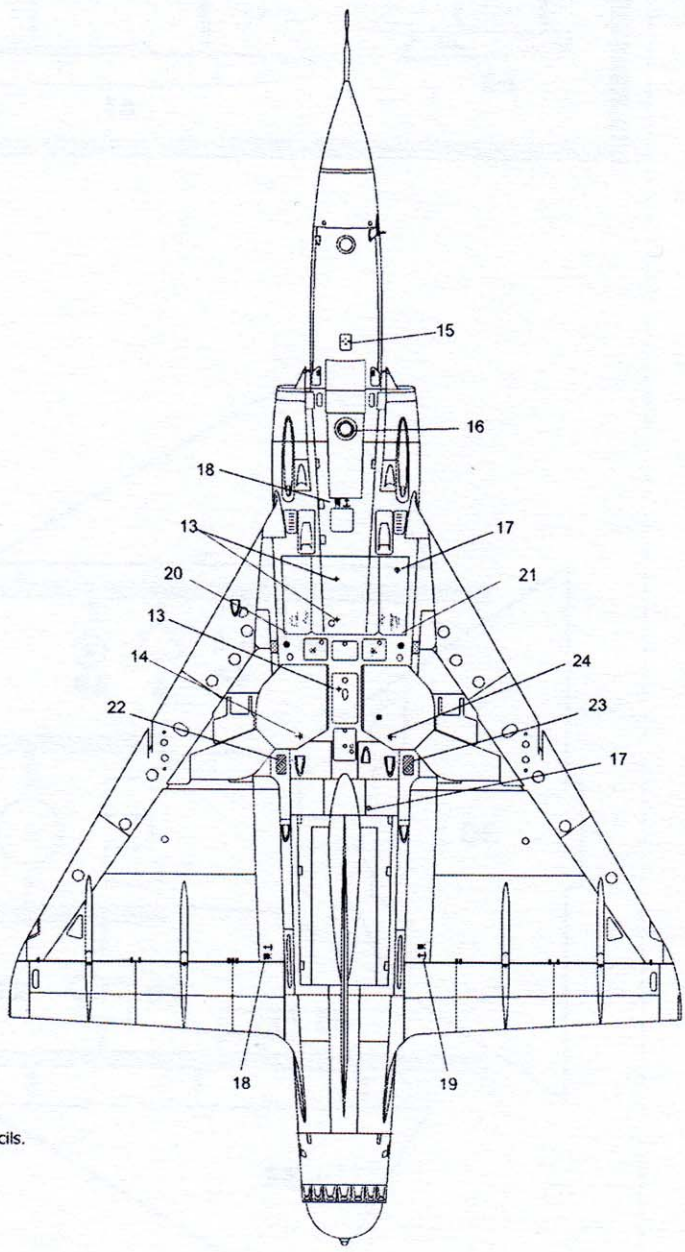
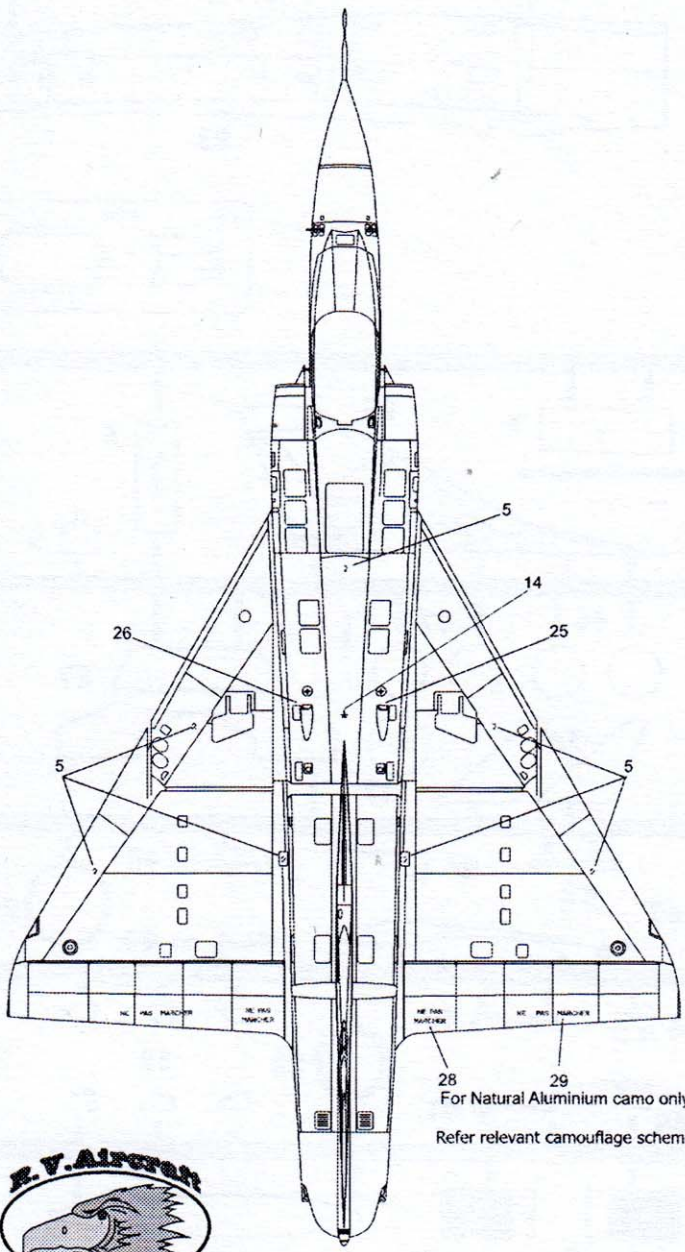
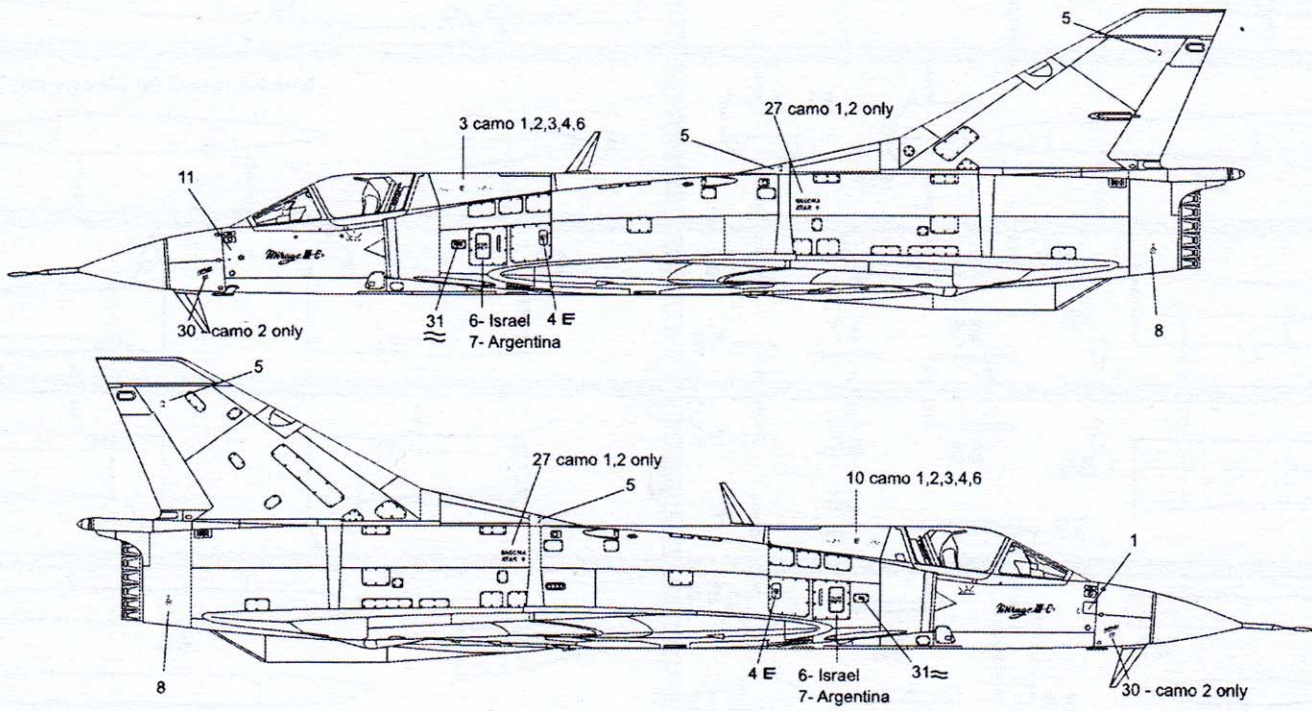


1/72 scale



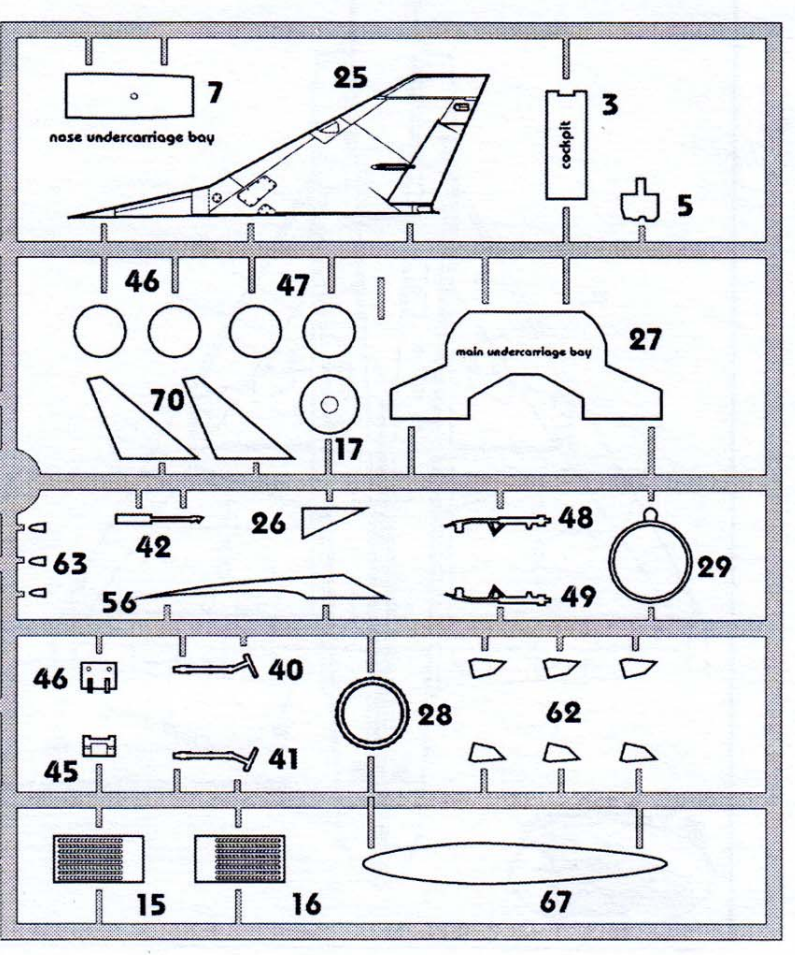
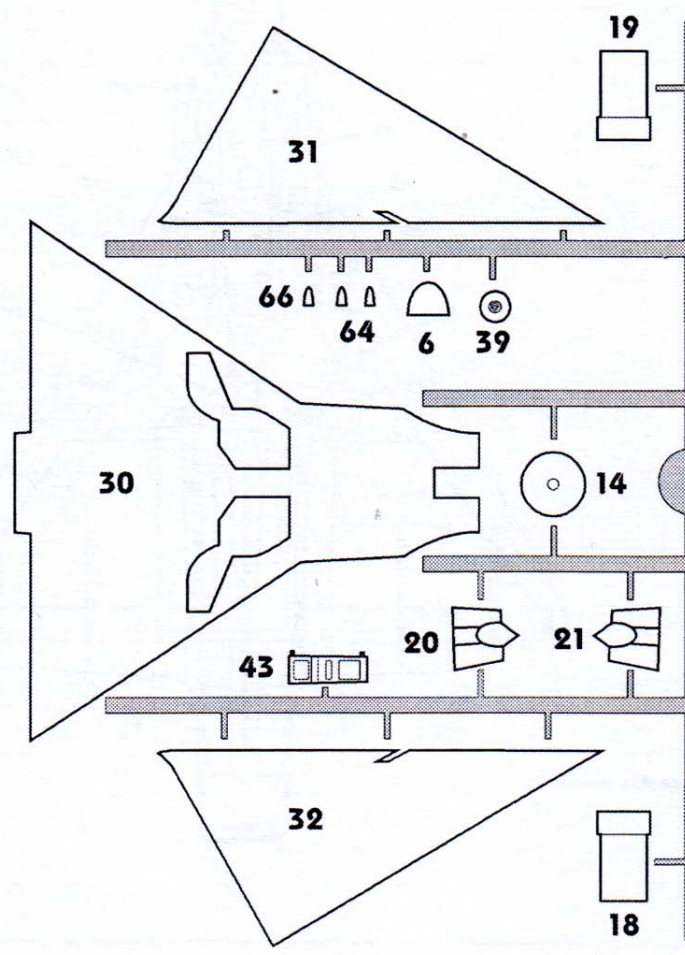
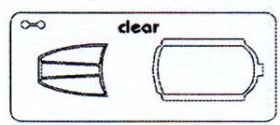
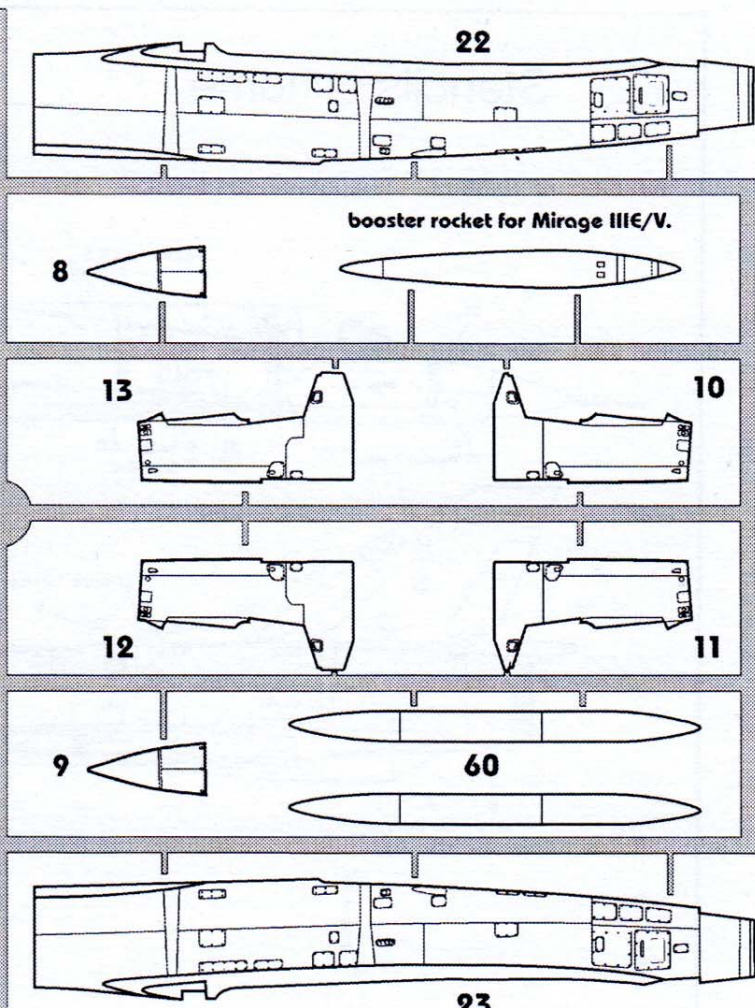
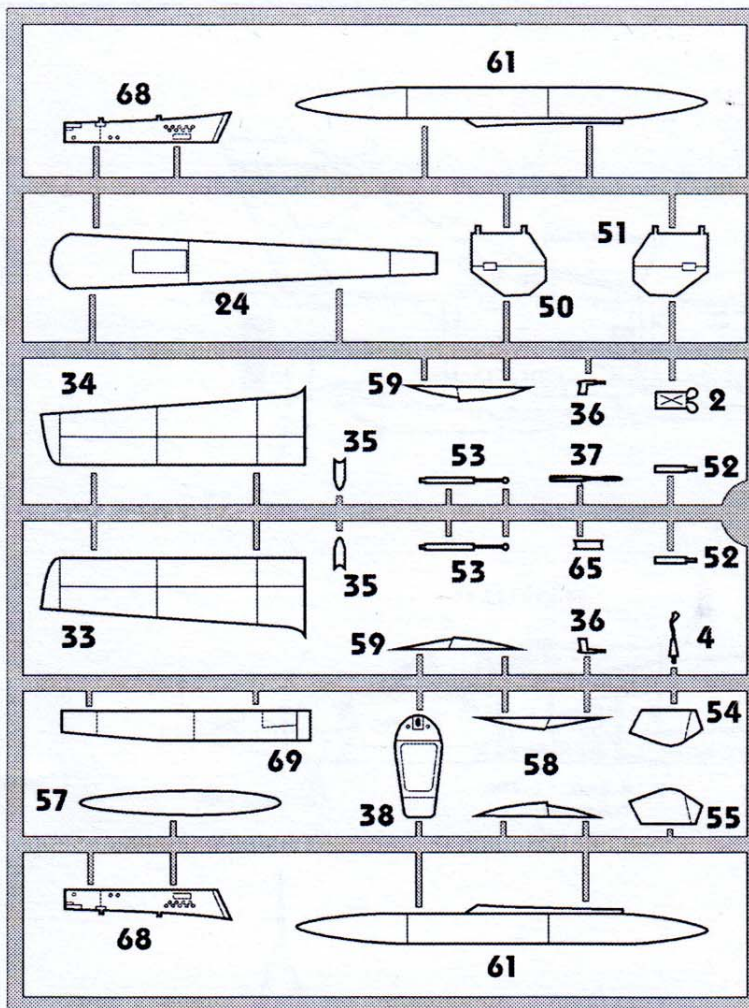


Stencils scheme

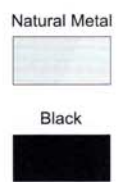
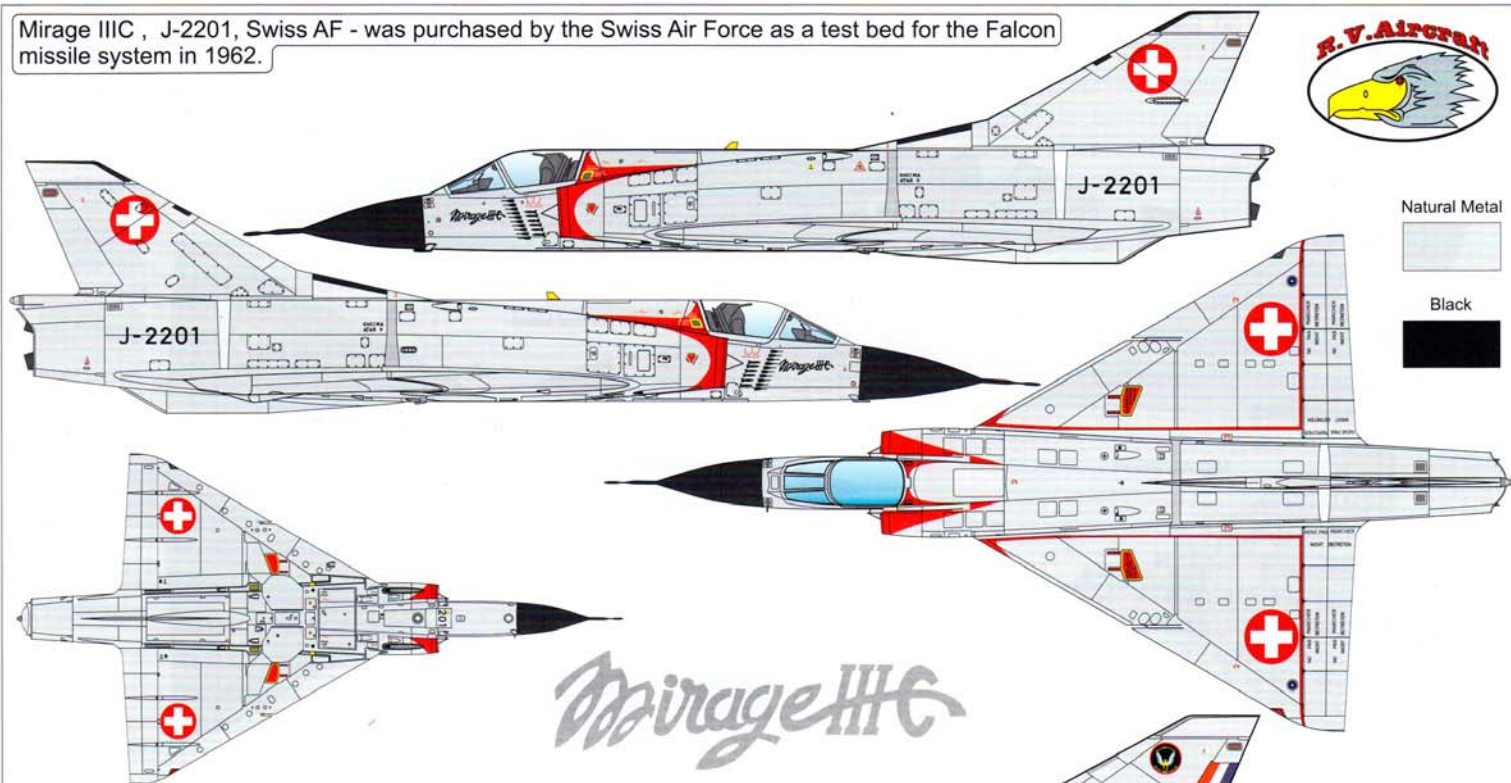


28 For Natural Aluminium camo only.
29
Refer relevant camouflage scheme to place other stencils.



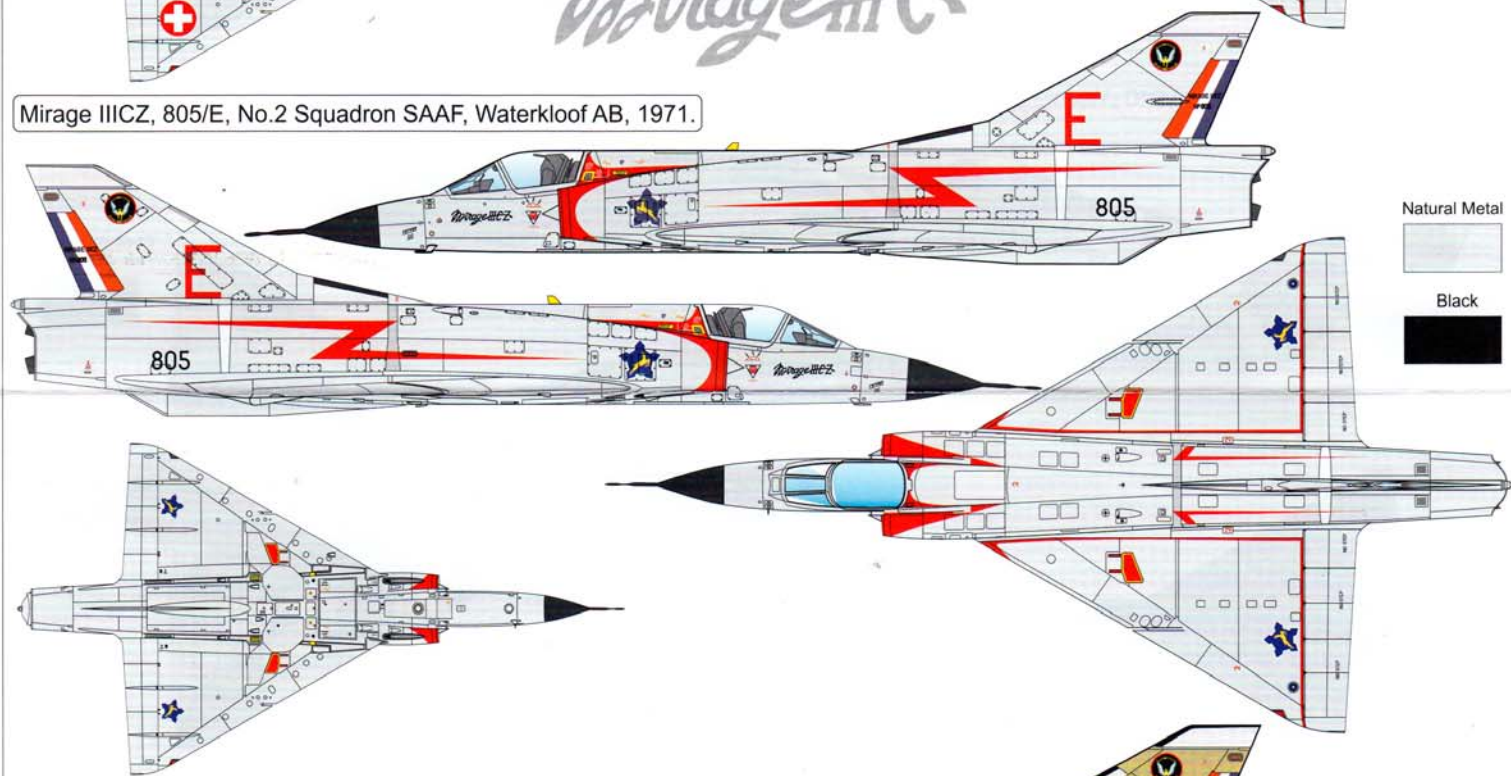


Mirage IIIC , J-2201, Swiss AF - was purchased by the Swiss Air Force as a test bed for the Falcon missile system in 1962.

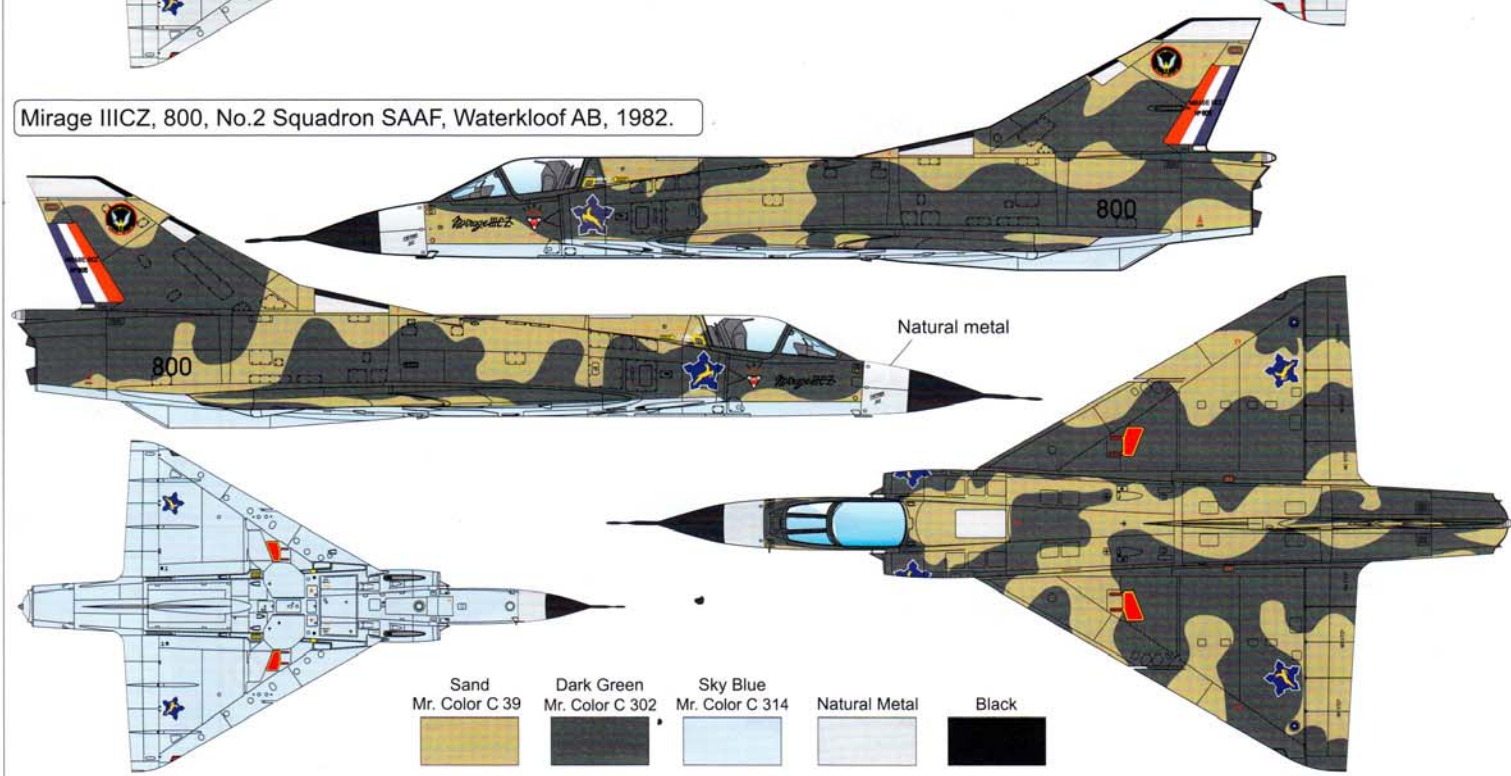


Mirage IIIc

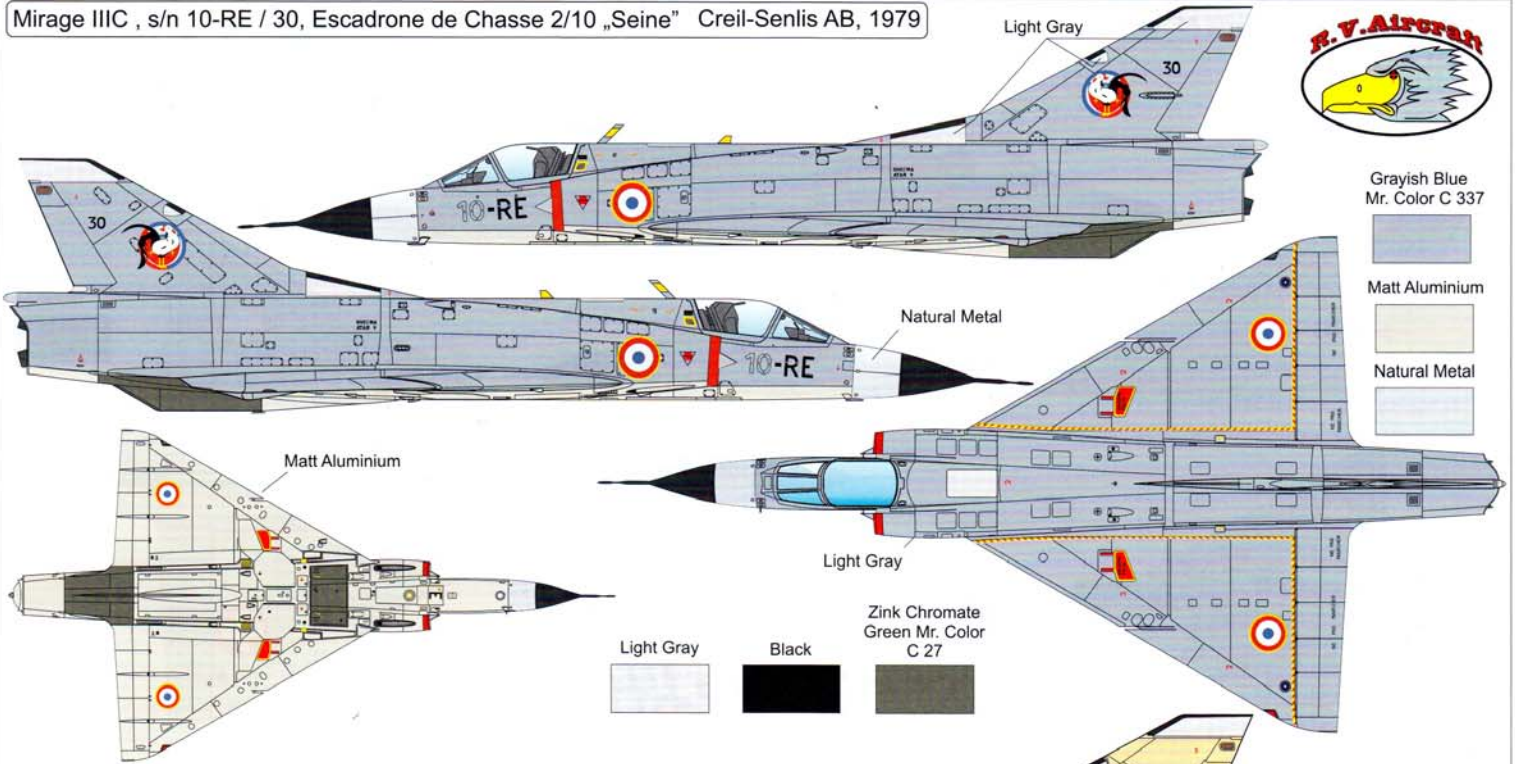
Mirage IIICZ, 805/E, No.2 Squadron SAAF, Waterkloof AB, 1971.



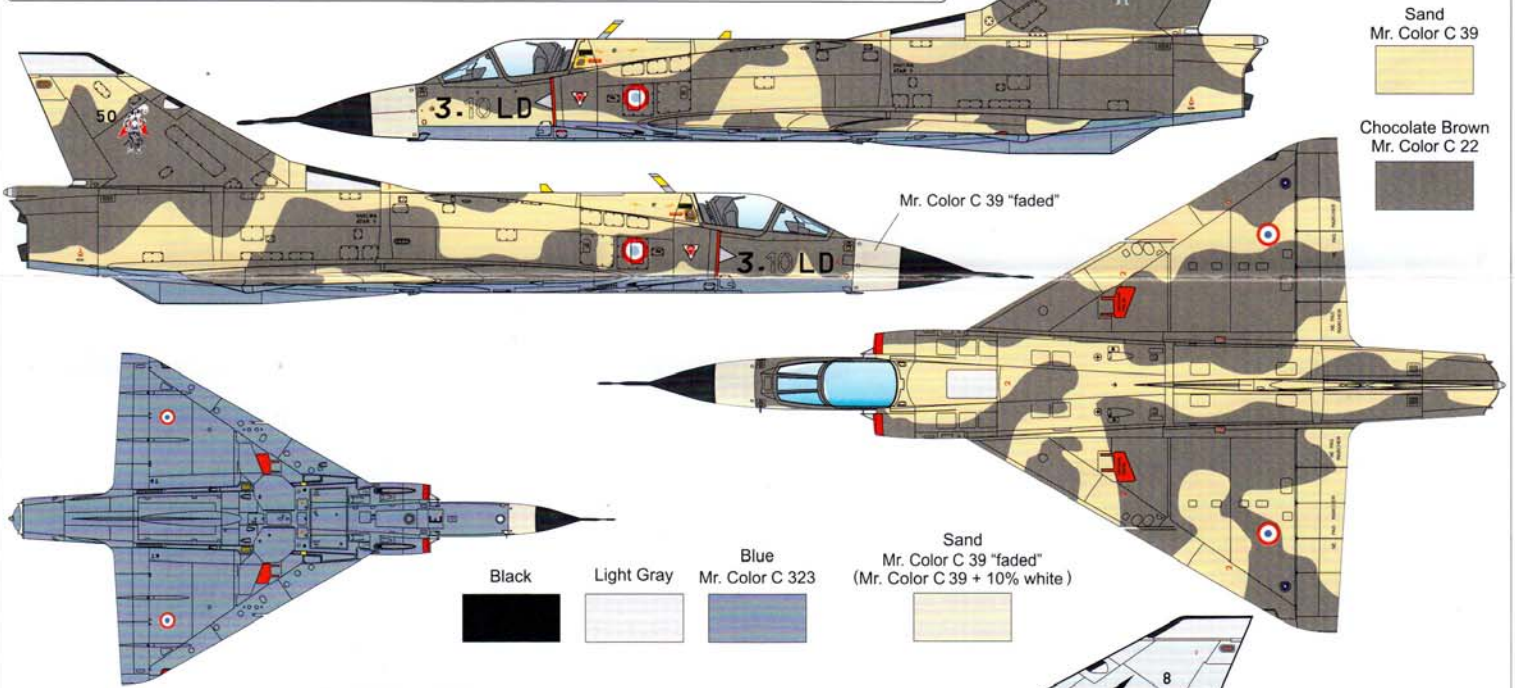
Mirage IIICZ, 800, No.2 Squadron SAAF, Waterkloof AB, 1982.



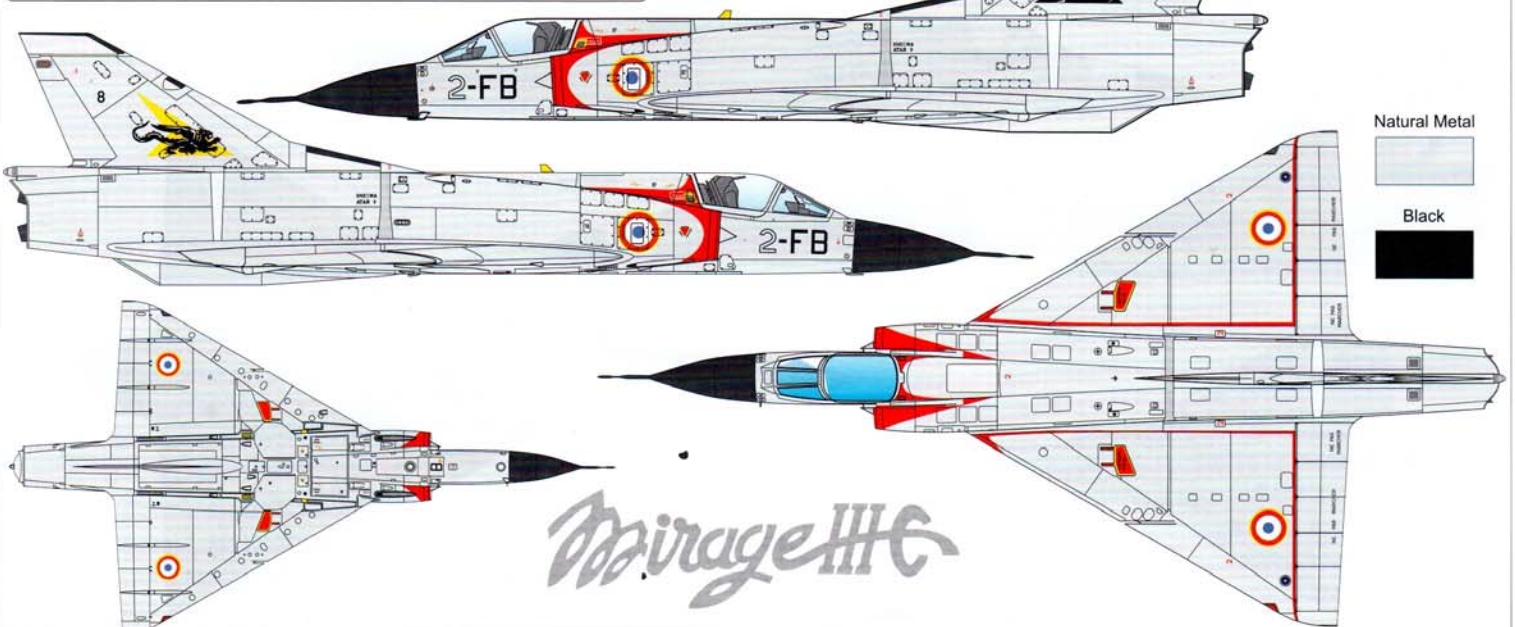
Mirage IIIC , s/n 10-RE / 30, Escadron de Chasse 2/10 „Seine” Creil-Senlis AB, 1979



Mirage IIIC , 10-LD / 50, EC 03/010 „Vexin”, Detachement Air 188, Djibouti , 1980 -1984



Mirage IIIC , 2-FB / 8, EC 2/2, Cote d'Or BA102 Dijon, 1974



Mirage IIIc